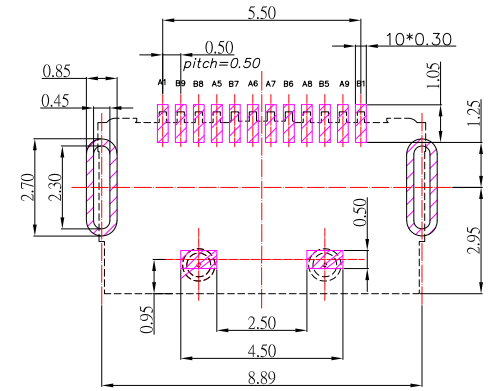


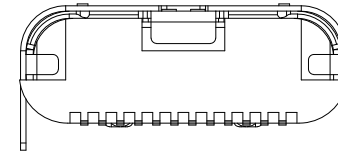
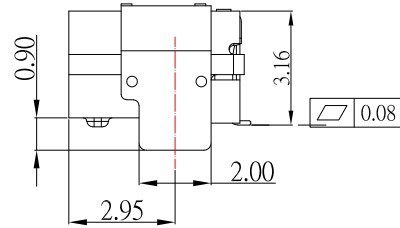
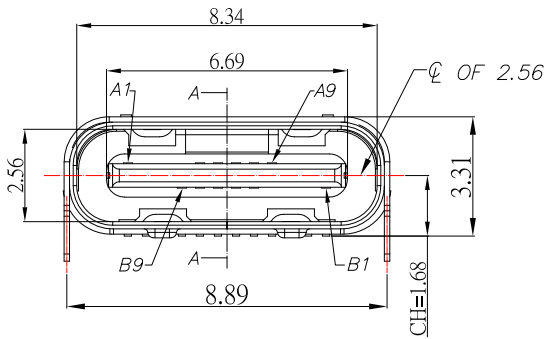
### SBC-120S1-20x-S277

鍍層厚度:

Blank	: 1u"
2	: 15u"
3	: 30u"



RECOMMENDED P.C.B. LAYOUT



### SPECIFICATIONS

#### Electrical:

1. Rating: 20V , 5.0A

1. Dielectric Withstand Voltage: 100V AC

2. Contact Resistance: 40 mΩ Max

3. Insulation Resistance: 100 MΩ Min

#### Material:

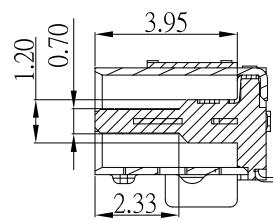
1. Housing: LCP

2. Contact: C7025

3. Shell: SUS

#### Finish:

- 1. Contact: Plated Gold in Mating Area ;  
Gold Plated on Solder Balls ;  
Nickel under plated overall
- 2. Shell: Nickel under Plated surface layer



SECTION A-A  
SCALE 1:1

#### USB TYPE-C PIN ASSIGNMENTS

PIN NUMBER	SIGNAL NAME	PIN NUMBER	SIGNAL NAME
A1	GND	B9	VBUS
A5	CC1	B8	SBU2
A6	DP1	B7	DN2
A7	DN1	B6	DP2
A8	SBU1	B5	CC2
A9	VBUS	B1	GND

2	更新Rating	Jack	091024
1	更新Rating	Jack	052824
ITEM NO.	DESCRIPTION	DRAWN	DATE



TOLERANCE UNLESS OTHERWISE STATED :  
Up to 5 ±0.2  
Above 5 ~ 15 ±0.3  
Above 15 ~ 30 ±0.4  
Above 30 ~ 50 ±0.5  
Angle ±0.3

3RD. ANGEL'S

UNITS MM

DRAWN BY:	DATE	MATL	TITLE	CONNECTOR
Jack Lu	09/10/24	FINISH	MODLE	USB TYPE C 2.0 板上型 SMT L 4.75 mm
CHECKED BY:	DATE	SCALE	DWG NO.	SBC-120S1-20x-S277
Jacky Chen	09/10/24	1 : 1	PART NO.	SBC-120S1-20x-S277
APPROVED BY:	DATE	SHEET NO.	1 of 1	
Tony Kao	09/10/24			