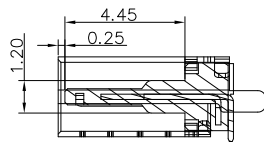
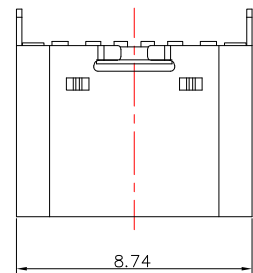




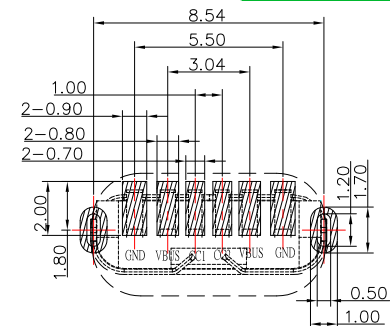
SBC-060VSA-20x-S331

鍍層厚度:

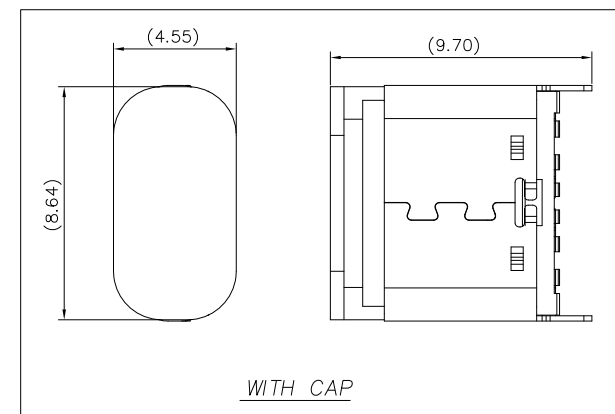
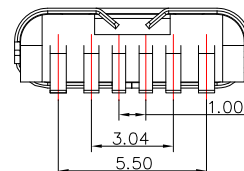
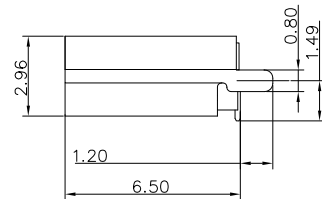
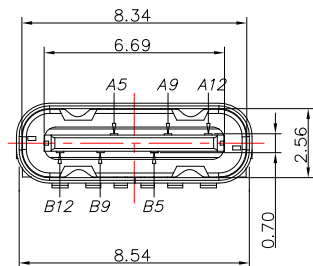
Blank : 1u"
2 : 15u"
3 : 30u"



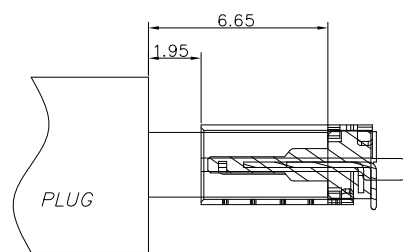
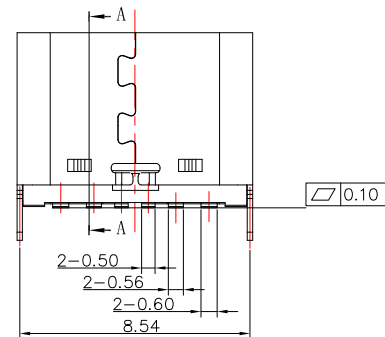
SECTION: A-A



RECOMMENDED P.C.B. LAYOUT



WITH CAP



AFTER MATING

USB TYPE-C PIN ASSIGNMENTS

PIN	SIGNAL NAME	PIN	SIGNAL NAME
A5	CC1	B12	GND
A9	VBUS	B9	VBUS
A12	GND	B5	CC2

SPECIFICATIONS

Electrical:

1. Rating: 5.0V , 3.0A
2. Dielectric Withstand Voltage: 100V AC
3. Contact Resistance: 40 mΩ Max
4. Insulation Resistance: 100 MΩ Min

Mechanical:

1. Connector Mate and Unmate Force
 - 1.1 Mate force: 5~20 N
 - 1.2 Unmate force: 8~20 N

Material:

1. Housing: LCP
 2. Contact: Brass
 3. Shell: SUS
- Finish:**
1. Contact: Plated Gold in Mating Area ;
Tin Plated on Solder Balls ;
Nickel under plated overall
 2. Shell: Nickel under Plated surface layer



TOLERANCE UNLESS OTHERWISE STATED:

Up to 5 ±0.2
Above 5 ~ 15 ±0.3
Above 15 ~ 30 ±0.4
Above 30 ~ 50 ±0.5
Angle ±0.3°

3RD. ANGEL'S



UNITS MM

DRAWN BY:	DATE	MAT'L	TITLE	CONNECTOR
Jack Lu	06/26/23			
CHECKED BY:	DATE	FINISH	MODLE	TYPE C 6PIN 直立式SMT L6.5mm
Jacky Chen	06/26/23			
APPROVED BY:	DATE	SCALE	DWG NO.	SBC-060VSA-20x-S331
Tony Kao	06/26/23	1 : 1		
		SHEET NO.	PART NO.	SBC-060VSA-20x-S331
		1 of 1		

ITEM NO.	DESCRIPTION	DRAWN	DATE
1	更新圖面	Jack	062623