

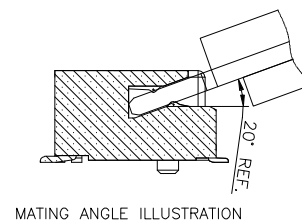
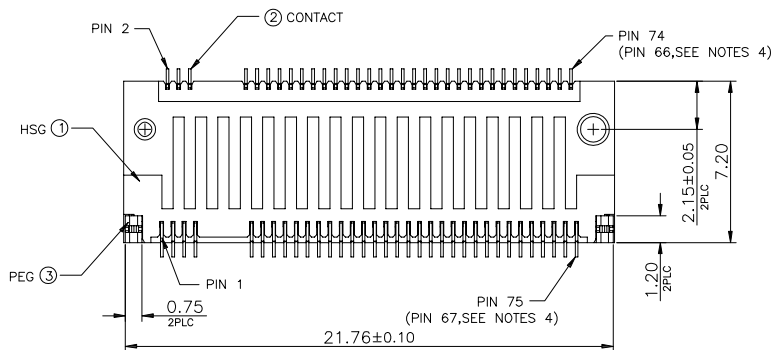
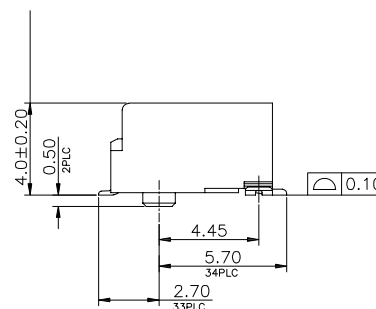
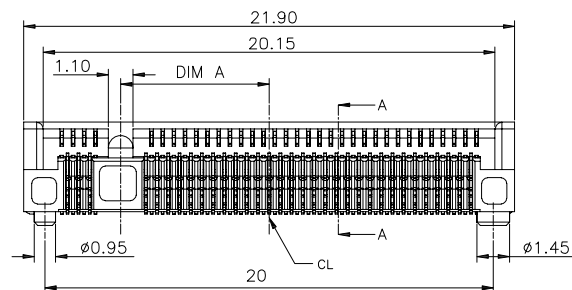
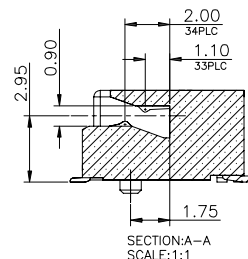
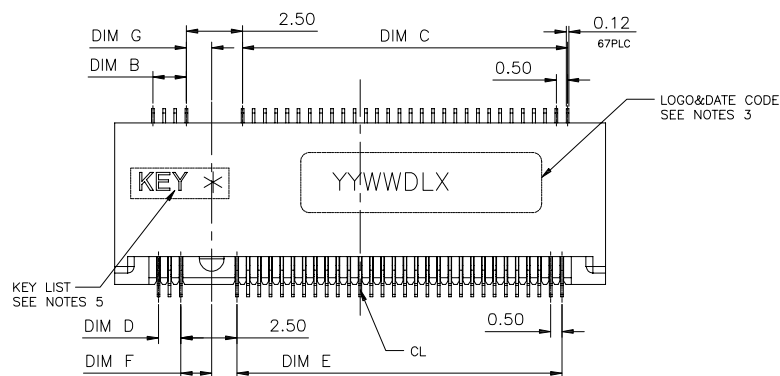


# NGF-40S1x-x-S268

鍍層厚度:

- Blank : 1u"
- 2 : 15u"
- 3 : 30u"

KEY NAME	DIM A	DIM B	DIM C	DIM D	DIM E	DIM F	DIM G
M	-6.125	14.0	2.0	14.0	1.5	1.125	1.375
L	-5.125	13.0	3.0	13.0	2.5	1.125	1.375
K	-4.125	12.0	4.0	12.0	3.5	1.125	1.375
J	-3.125	11.0	5.0	11.0	4.5	1.125	1.375
H	-2.125	10.0	6.0	10.0	5.5	1.125	1.375
G	-1.125	9.0	7.0	9.0	6.5	1.125	1.375
F	1.625	6.5	9.5	6.0	9.5	1.375	1.125
E	2.625	5.5	10.5	5.0	10.5	1.375	1.125
D	3.625	4.5	11.5	4.0	11.5	1.375	1.125
C	4.625	3.5	12.5	3.0	12.5	1.375	1.125
B	5.625	2.5	13.5	2.0	13.5	1.375	1.125
A	6.625	1.5	14.5	1.0	14.5	1.375	1.125



## MATERIAL:

1.1 Housing: LCP,Black

1.2 Contact: Phosphor Bronze

1.3 Solder Peg: SUS

## 2.Finish:

2.1 Contact: Plated Gold in Mating Area ;

Gold Plated on Solder Balls ;

Nickel under plated overall

2.2 Solder Peg: Tin Plated on Solder Balls

Nickel under plated overall



TOLERANCE UNLESS OTHERWISE STATED :

Up to 5	±0.2
Above 5 ~ 15	±0.3
Above 15 ~ 30	±0.4
Above 30 ~ 50	±0.5
Angle	±0.3°

3RD. ANGEL'S



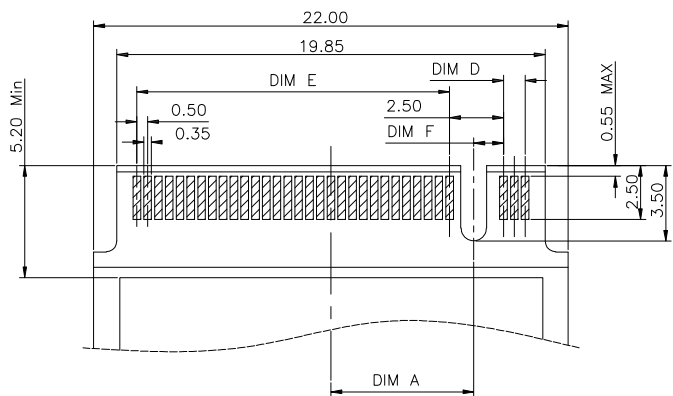
UNITS MM

DRAWN BY:	DATE
Jack Lu	07/22/22
CHECKED BY:	DATE
Jacky Chen	07/22/22
APPROVED BY:	DATE
Tony Kao	07/22/22

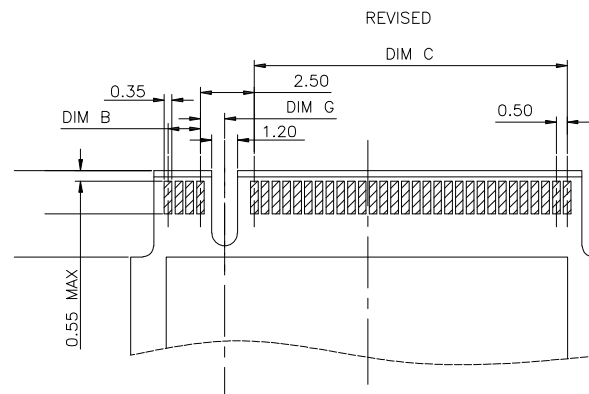
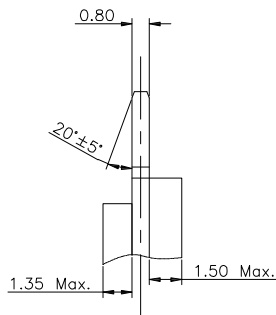
MAT'L		TITLE	CONNECTOR
FINISH		MODLE	NGFF 0.5PITCH 67P H:4.0
SCALE	1 : 1	DWG NO.	NGF-40S1x-x-S268
SHEET NO.	1 of 2	PART NO.	NGF-40S1x-x-S268

SIZE	A4
VER	R

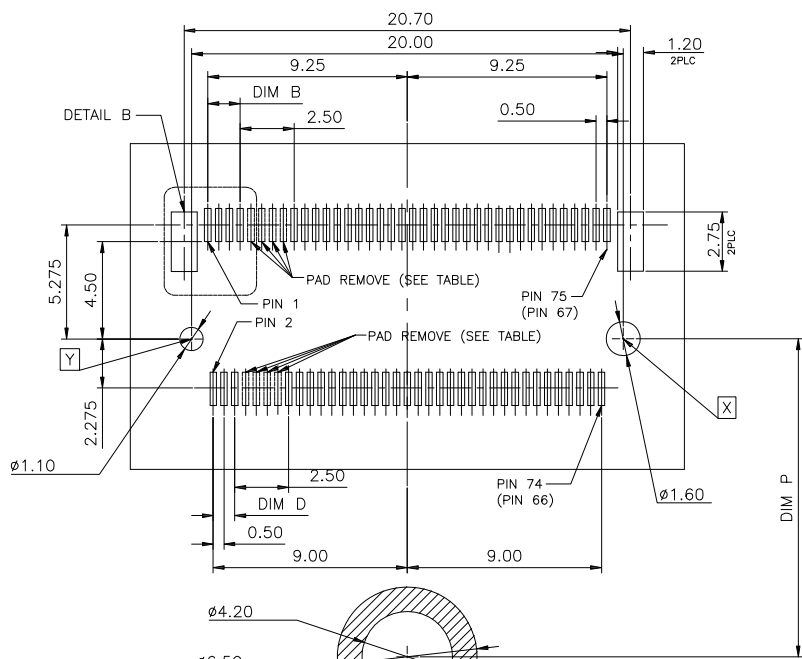
ITEM NO.	DESCRIPTION	DRAWN	DATE



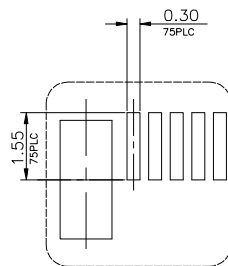
BOTTOM SIDE



TOP SIDE



RECOMMENDED PCB LAYOUT



DETAIL B  
SCALE 2:1

22110	108.25
2280	78.25
2260	58.25
2242	40.25
2230	28.25
3042	40.25
3030	28.25
MODULE TYPE DIM P	

KEY ID	PAD REMOVED	DIM A	DIM B	DIM C	DIM D	DIM E	DIM F	DIM G
M	PIN 59-66	-6.125	14.0	2.0	14.0	1.5	1.125	1.375
L	PIN 55-62	-5.125	13.0	3.0	13.0	2.5	1.125	1.375
K	PIN 51-58	-4.125	12.0	4.0	12.0	3.5	1.125	1.375
J	PIN 47-54	-3.125	11.0	5.0	11.0	4.5	1.125	1.375
H	PIN 43-50	-2.125	10.0	6.0	10.0	5.5	1.125	1.375
G	PIN 39-46	-1.125	9.0	7.0	9.0	6.5	1.125	1.375
F	PIN 28-35	1.625	6.5	9.5	6.0	9.5	1.375	1.125
E	PIN 24-31	2.625	5.5	10.5	5.0	10.5	1.375	1.125
D	PIN 20-27	3.625	4.5	11.5	4.0	11.5	1.375	1.125
C	PIN 16-23	4.625	3.5	12.5	3.0	12.5	1.375	1.125
B	PIN 12-19	5.625	2.5	13.5	2.0	13.5	1.375	1.125
A	PIN 8-15	6.625	1.5	14.5	1.0	14.5	1.375	1.125



TOLERANCE UNLESS OTHERWISE STATED:  
 Up to 5 ±0.2  
 Above 5 ~ 15 ±0.3  
 Above 15 ~ 30 ±0.4  
 Above 30 ~ 50 ±0.5  
 Angle ±0.3

3RD. ANGEL'S



UNITS MM

DRAWN BY:	DATE	MAT'L	TITLE	CONNECTOR
Jack Lu	07/22/22			
CHECKED BY:	DATE	FINISH	MODLE	NGFF 0.5PITCH 67P H:4.0
Jacky Chen	07/22/22			
APPROVED BY:	DATE	SCALE	DWG NO.	NGF-40S1x-x-S268
Tony Kao	07/22/22	1 : 1		
		SHEET NO.	PART NO.	NGF-40S1x-x-S268
		2 of 2		

SIZE
A4
VER
R

ITEM NO.	DESCRIPTION	DRAWN	DATE