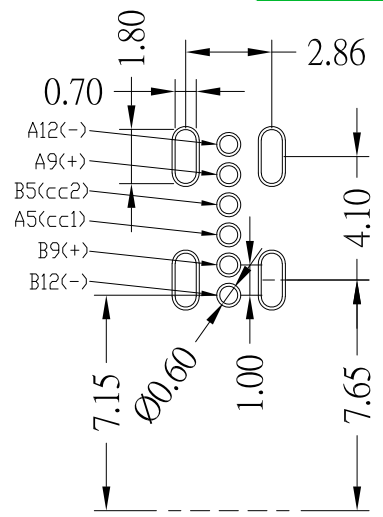


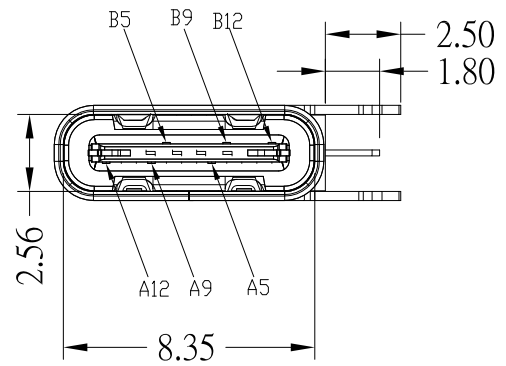
SBC-060P-20x-S165

鍍層厚度：

Blank : 1u"
2 : 15u"
3 : 30u"



P.C.B. LAYOUT



A1	GND	B12	GND
A4	VBUS	B9	VBUS
A5	CC1	B7	DN2
A6	DP1	B6	DP2
A7	DN1	B5	CC2
A9	VBUS	B4	VBUS
A12	GND	B1	GND
PIN	SIGNAL NAME	PIN	SIGNAL NAME

SPECIFICATIONS

Electrical:

- Rating: 20 V, 3.0 A
- Dielectric Withstand Voltage: 100V AC
- Contact Resistance: 40 mΩ Max
- Insulation Resistance: 100 MΩ Min

Mechanical:

- Connector Mate and Unmate Force
 - Mate force: 5~20 N
 - Unmate force: 8~20 N

Material:

- Housing: LCP
- Contact: Phosphor Bronze
- Shell: SUS

Finish:

- Contact: Plated Gold in Mating Area ;
Tin Plated on Solder Balls ;
Nickel under plated overall
- Shell: Nickel under Plated surface layer

5	更新端子鍍層	Jack	122324
4	新增尺寸	Jack	121624
3	更新圖面	Jack	120524
2	更新材質和鍍層	Jack	110524
1	更新Rating	Jack	040324
ITEM NO.	DESCRIPTION	DRAWN	DATE

東莞市高迪電子有限公司
DONG GUAN GAO DI ELECTRONICS CO., LTD

TOLERANCE UNLESS OTHERWISE STATED :
 Up to 5 ±0.2
 Above 5 ~ 15 ±0.3
 Above 15 ~ 30 ±0.4
 Above 30 ~ 50 ±0.5
 Angle ±0.3

3RD. ANGEL'S

UNITS MM

DRAWN BY:	DATE	MATL	TITLE	CONNECTOR
Jack Lu	12/23/24			
CHECKED BY:	DATE	FINISH	MODLE	USB 3.1 側插母座 6 PIN
Jacky Chen	12/23/24			
APPROVED BY:	DATE	SCALE	DWG NO.	SBC-060P-20x-S165
Tony Kao	12/23/24	1 : 1		
		SHEET NO.	PART NO.	SBC-060P-20x-S165
		1 of 1		
			SIZE	A4
			VER	R5