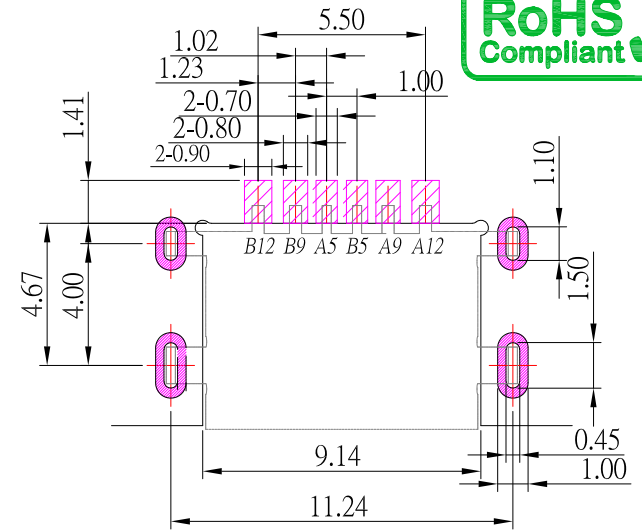
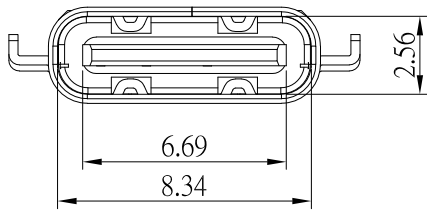




SBC-060M5-20x-S412

鍍層厚度：

Blank : 1u"
2 : 15u"
3 : 30u"



P.C.B. LAYOUT

SPECIFICATIONS

Electrical:

- 1.Rating: 20 V, 3.0 A
- 2.Dielectric Withstand Voltage: 100V AC
- 3.Contact Resistance: 40 mΩ Max
- 4.Insulation Resistance: 100 MΩ Min

Mechanical:

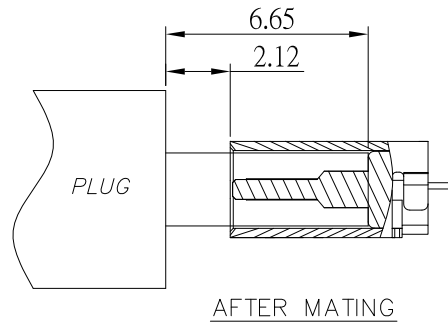
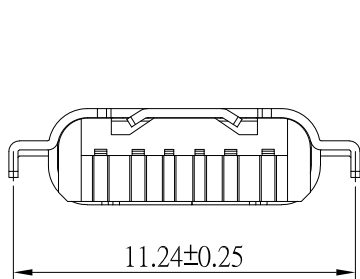
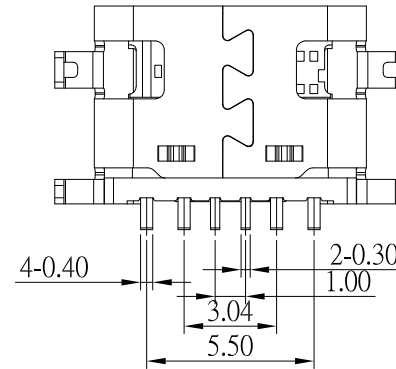
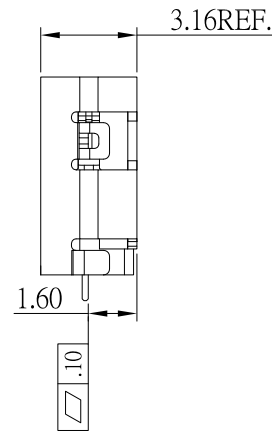
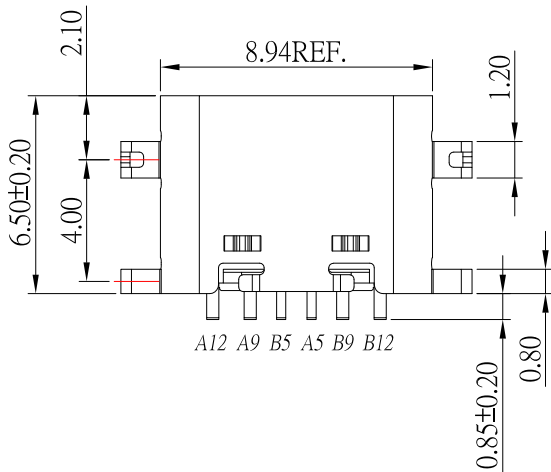
- 1.Connector Mate and Unmate Force
 - 1.1 Mate force: 5~20 N
 - 1.2 Unmate force: 8~20 N

Material:

- 1.Housing: LCP
- 2.Contact: Brass
- 3.Shell: SUS

Finish:

- 1.Contact: Plated Gold in Mating Area ;
Gold Plated on Solder Balls ;
Nickel under plated overall
- 2.Shell: Nickel under Plated surface layer



B12	GND
B9	VBUS
B5	CC2
A5	CC1
A9	VBUS
A12	GND
PIN	SIGNAL NAME

3	更新圖面	Jack	101624
2	更新圖面	Jack	070220
1	更新尺寸	Jack	111119
ITEM NO.	DESCRIPTION	DRAWN	DATE

東莞市高迪電子有限公司
DONG GUAN GAO DI ELECTRONICS CO., LTD

TOLERANCE UNLESS OTHERWISE STATED :
Up to 5 ±0.2
Above 5 ~ 15 ±0.3
Above 15 ~ 30 ±0.4
Above 30 ~ 50 ±0.5
Angle ±0.3

3RD. ANGEL'S

UNITS MM

DRAWN BY:	DATE	MAT'L	TITLE	CONNECTOR
Jack Lu	10/16/24	FINISH	MODLE	USB C TYPE 2.0 Female SMT 6PIN 沉板
CHECKED BY:	DATE	SCALE	DWG NO.	SBC-060M5-20x-S412
Jacky Chen	10/16/24	1 : 1	PART NO.	SBC-060M5-20x-S412
APPROVED BY:	DATE	SHEET NO.	1 of 1	
Tony Kao	10/16/24			