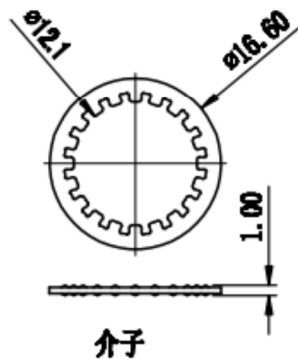
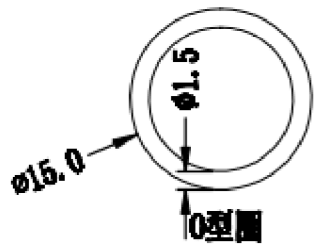
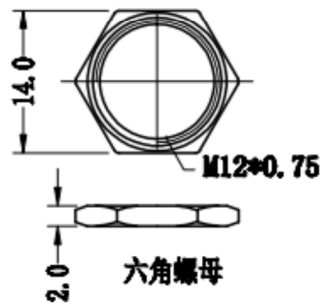
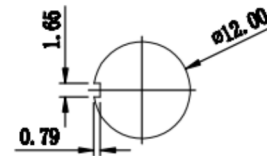
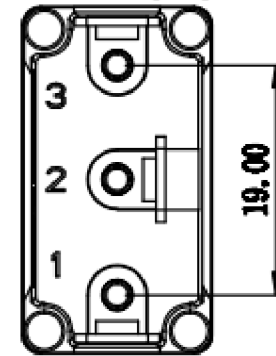


安裝孔尺寸
Without locking ring.



手柄位置及导通端子示意图

	POS. 1	POS. 2	POS. 3
Model	KEYWAY		
NL			
102	ON	NONE	ON
SCHEMATIC		N/A	



東莞市高迪電子有限公司
DONG GUAN GAO DI ELECTRONICS CO., LTD

TOLERANCE UNLESS OTHERWISE STATED:
Up to 5 ±0.2
Above 5 ~ 15 ±0.3
Above 15 ~ 30 ±0.4
Above 30 ~ 50 ±0.5
Angle ±0.3°

3RD. ANGEL'S



UNITS MM

DRAWN BY: Ming Ming Zou 07/23/13
CHECKED BY: Ning Ning Su 07/23/13
APPROVED BY: Jia Xiang 07/23/13

MAT'L
FINISH
SCALE 1 : 1
SHEET NO. 1 of 1

TITLE ENCODER
MODLE ENCODER
DWG NO. GD-TW1-0-102-F00A0-M00-A-WP
PART NO.

SIZE A4
VER R2

ITEM NO.	DESCRIPTION	DRAWN	DATE
2	公差及料號更新	Jack	072313
1	圖面更新	Frank Wu	021012