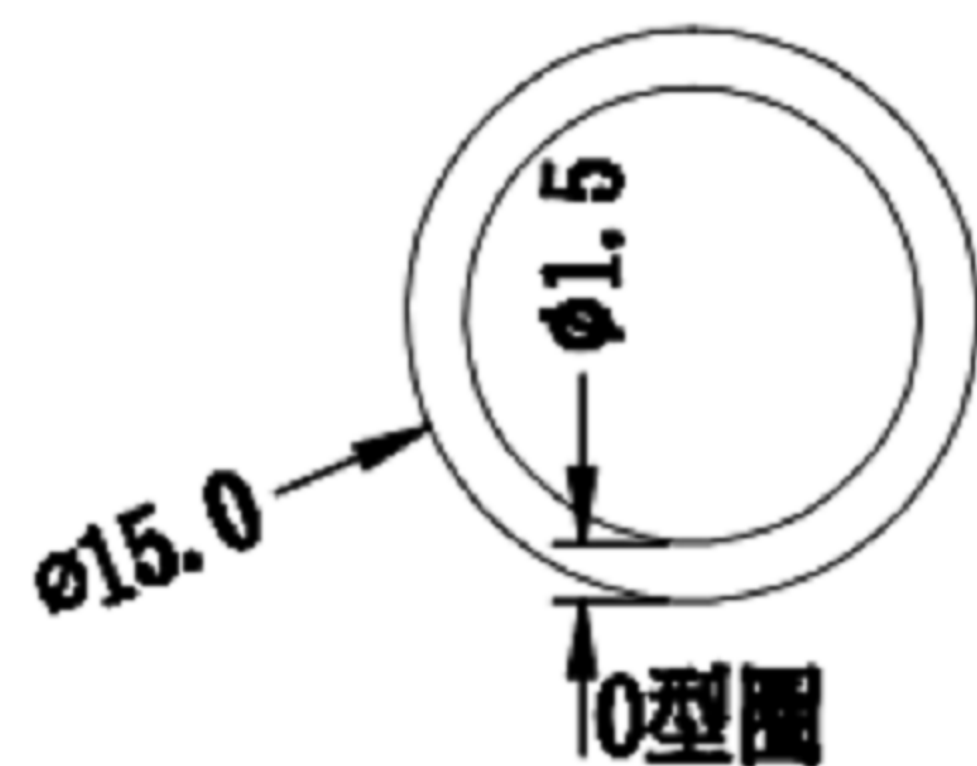
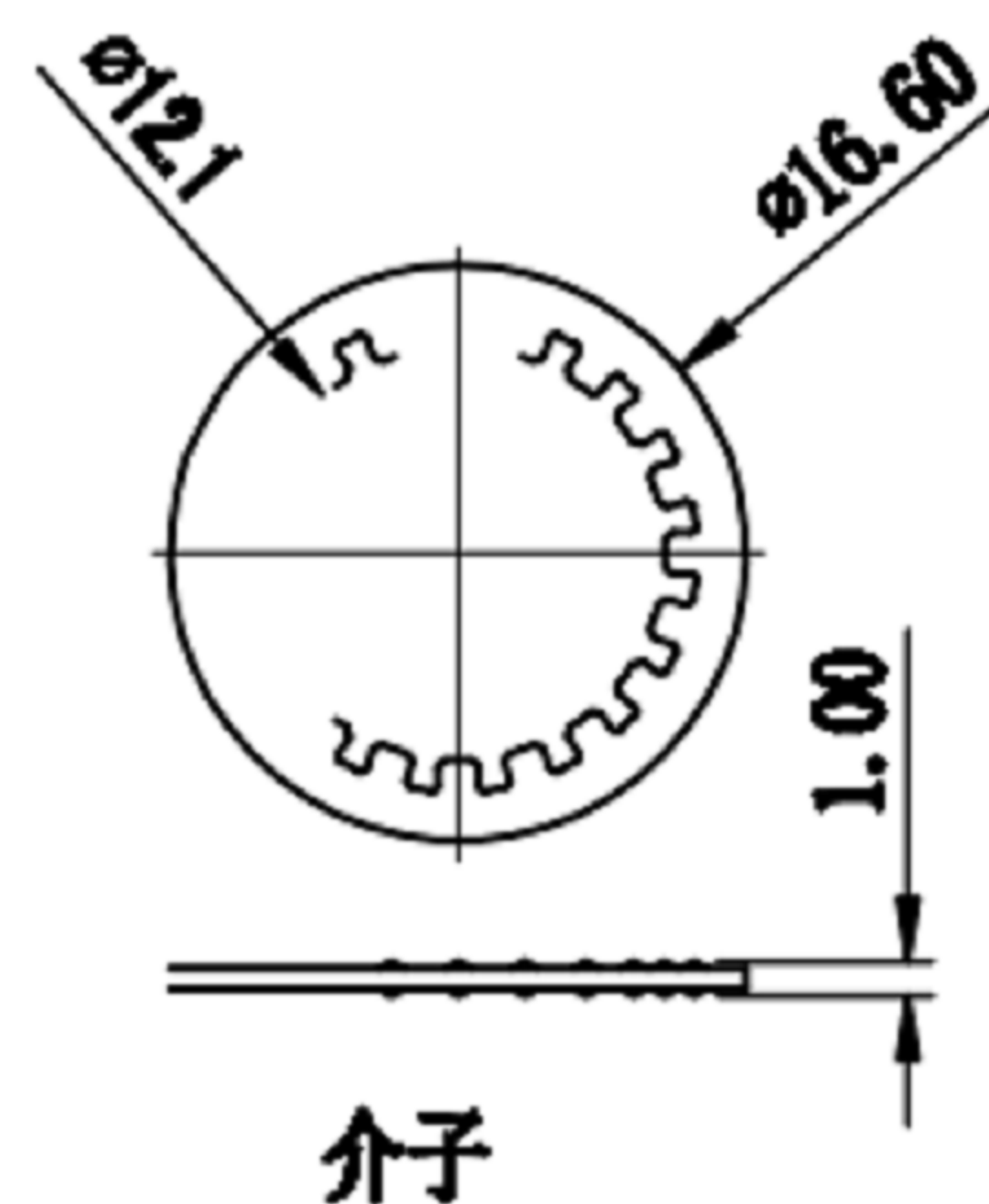


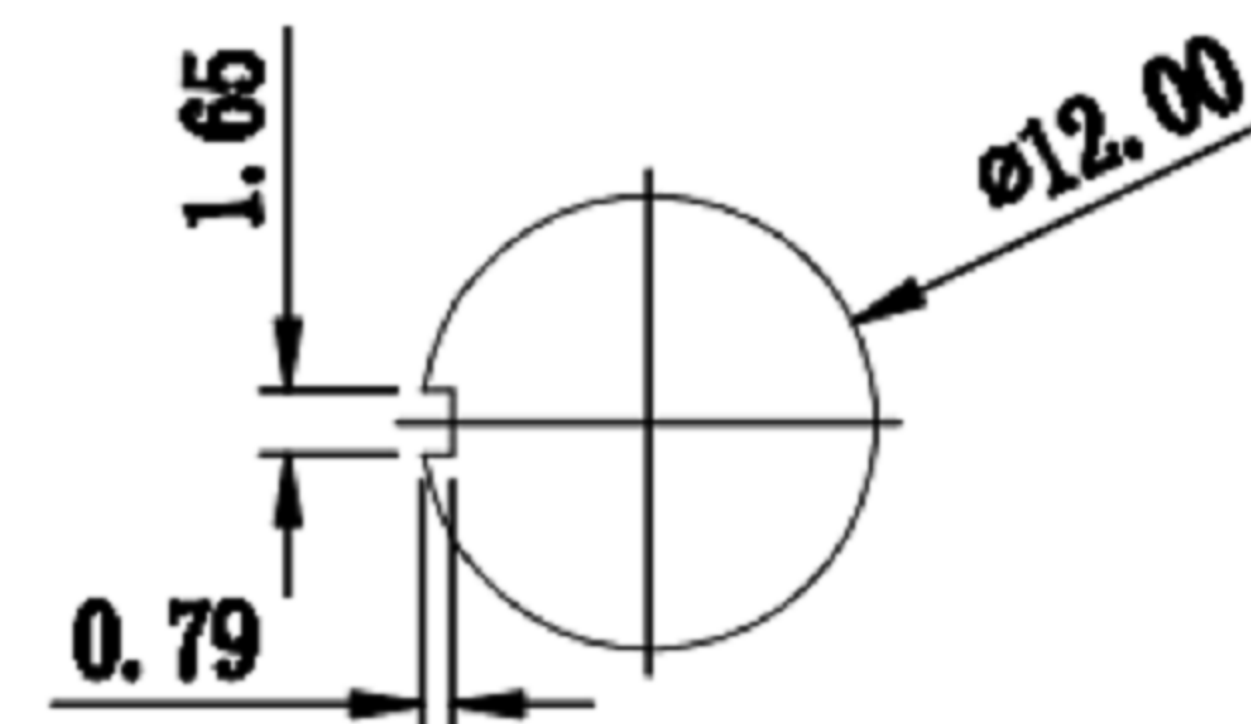
六角螺母



10型圈



介子



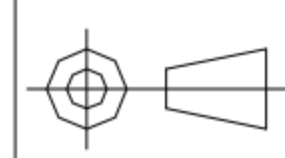
安装孔尺寸
Without locking ring.



東莞市高迪電子有限公司
DONG GUAN GAO DI ELECTRONICS CO., LTD

TOLERANCE UNLESS OTHERWISE STATED:
Up to 5 ±0.2
Above 5 ~ 15 ±0.3
Above 15 ~ 30 ±0.4
Above 30 ~ 50 ±0.5
Angle ±0.3°

3RD. ANGEL'S



UNITS

MM

DRAWN BY: Ming Ming Zou
DATE: 07/23/13
CHECKED BY: Ning Ning Su
DATE: 07/23/13
APPROVED BY: Jia Xiang
DATE: 07/23/13

MAT'L
FINISH
SCALE: 1:1
SHEET NO.: 1 of 1

TITLE: Waterproof button
MODLE: Waterproof button
DWG NO.: GD-TW1-0-102-D03A0-M00-A-WP
PART NO.:

SIZE: A4
VER: R2

ITEM NO.	DESCRIPTION	DRAWN	DATE
2	公差及料號更新	Jack	072313
1	圖面更新	Frank Wu	021012