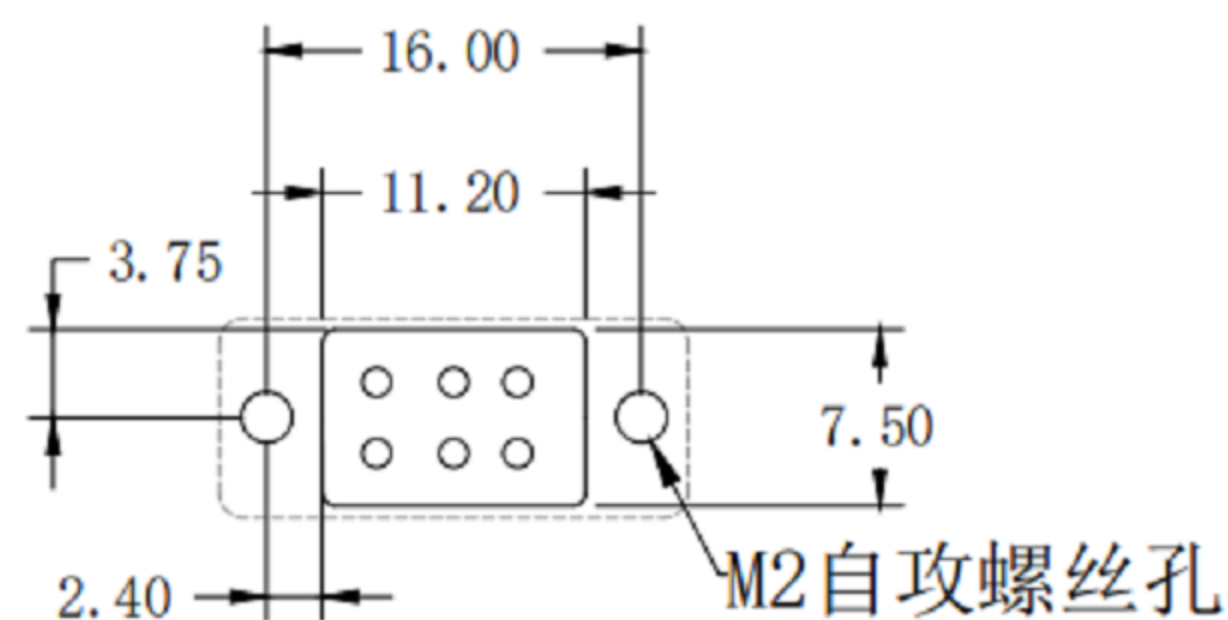
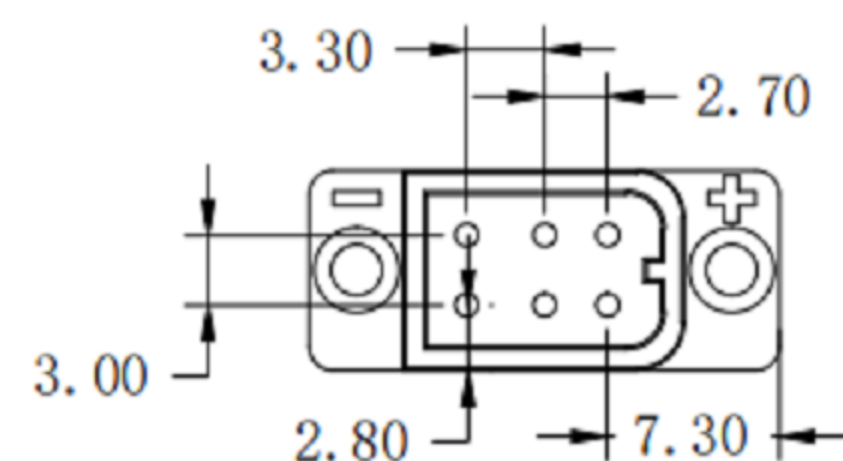
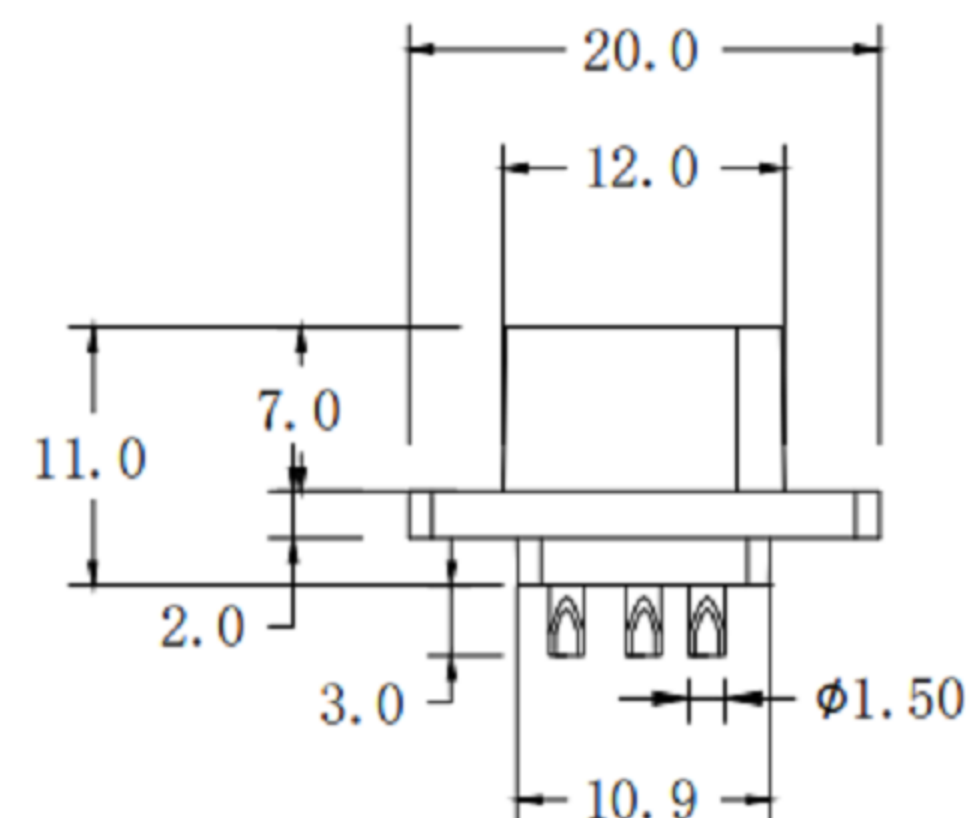
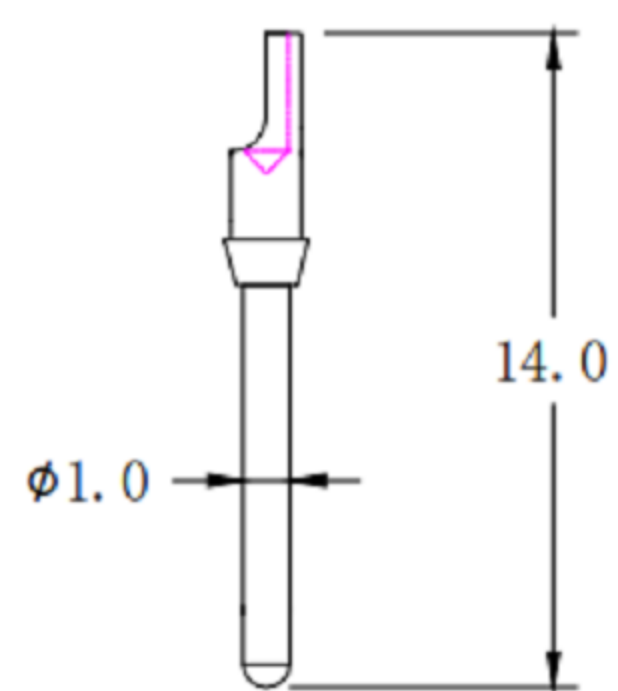
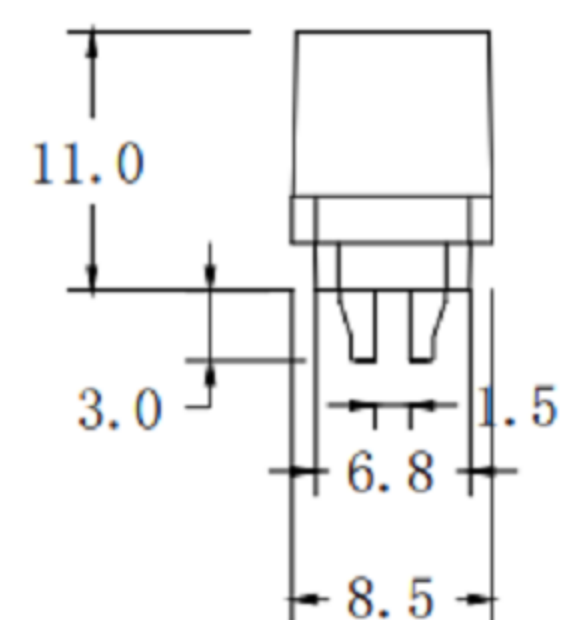
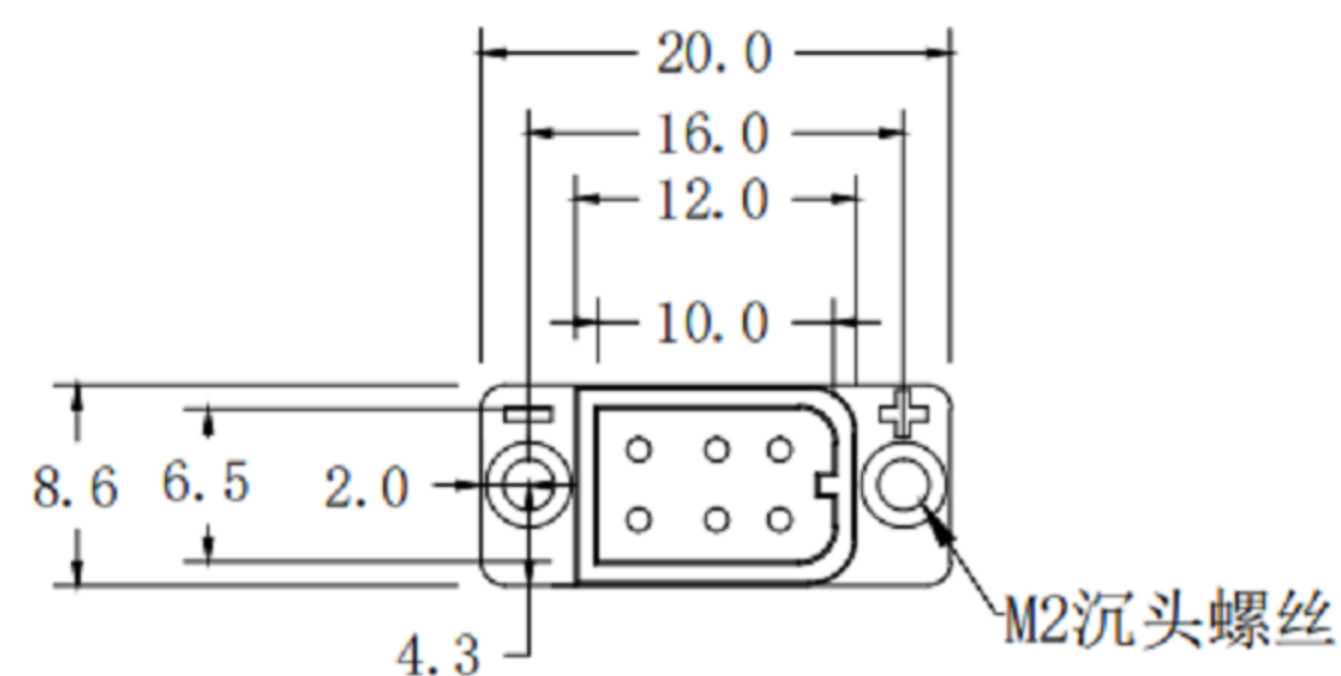
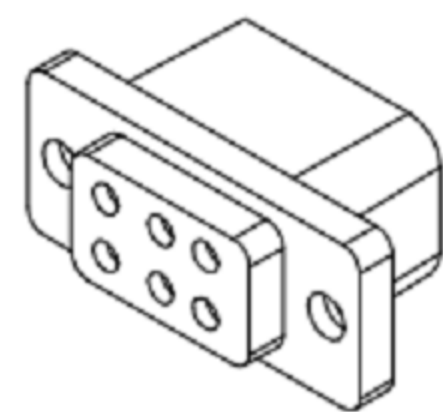
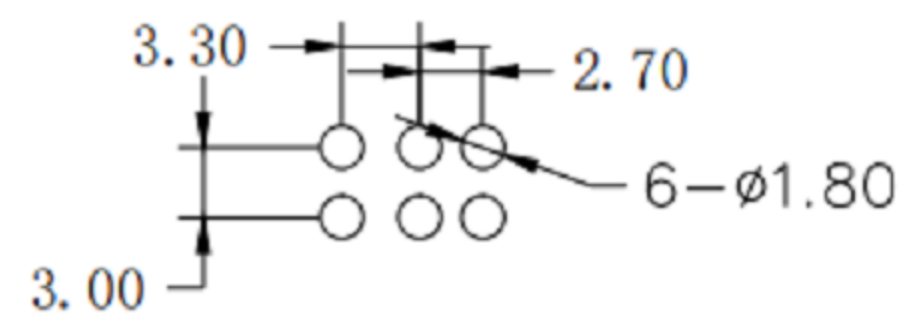


GD-TX-6P-G公头

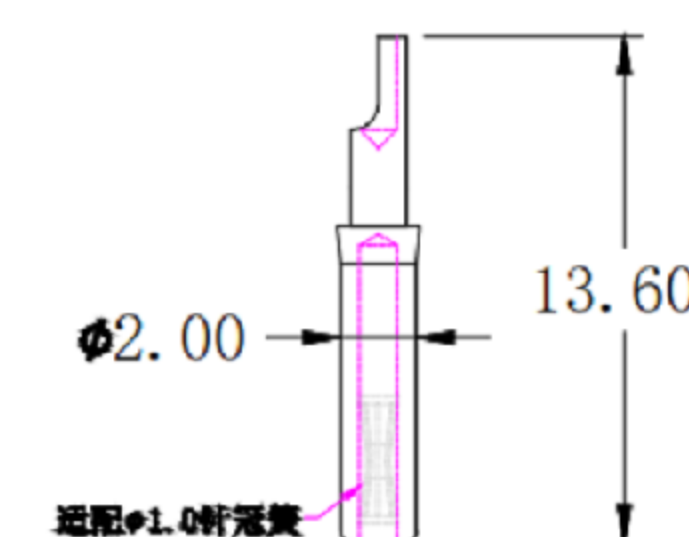
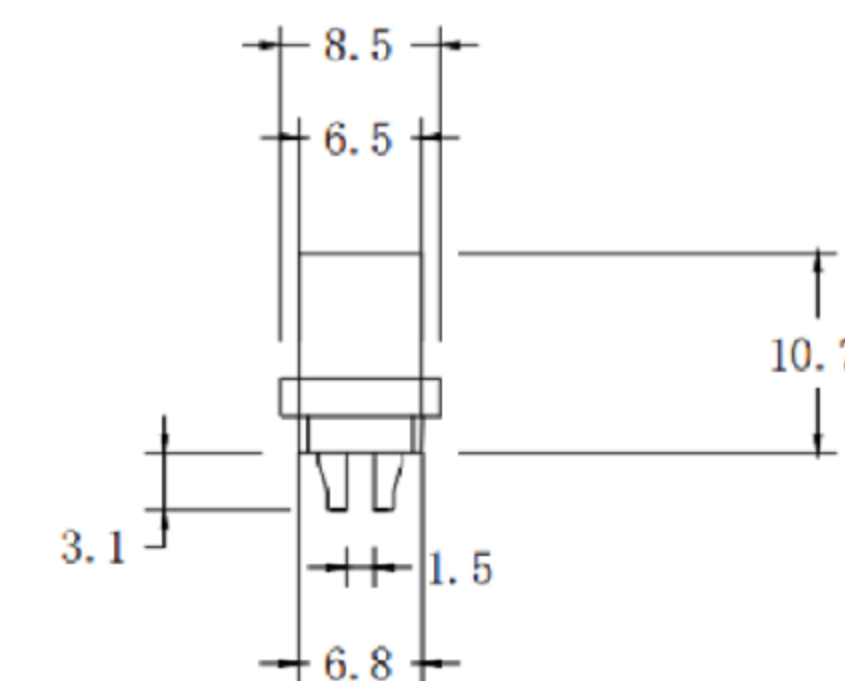
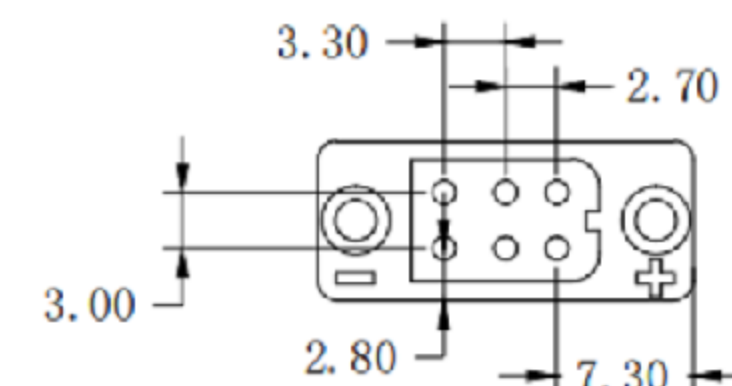
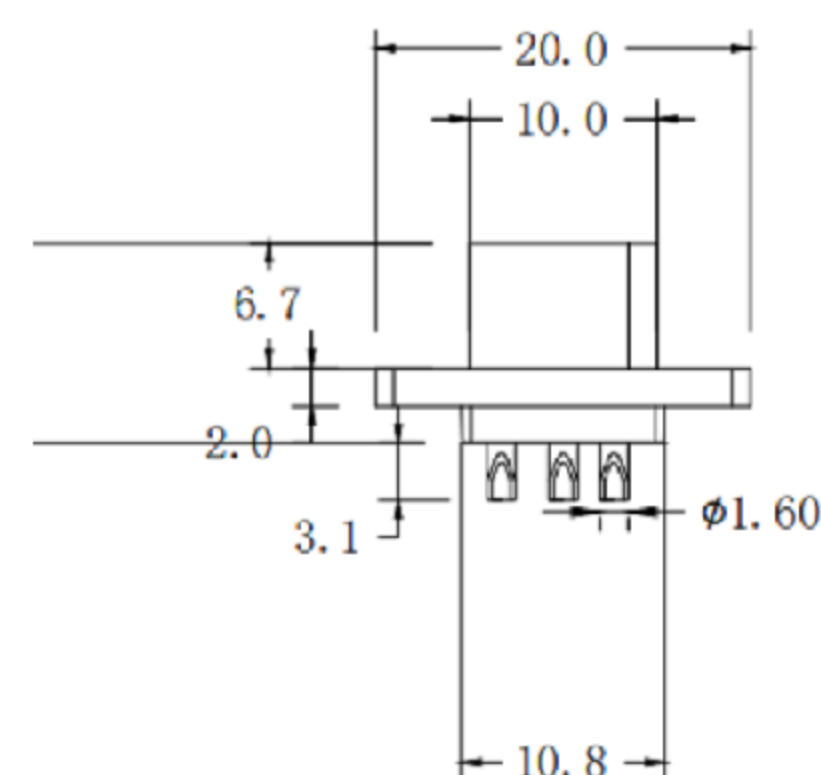
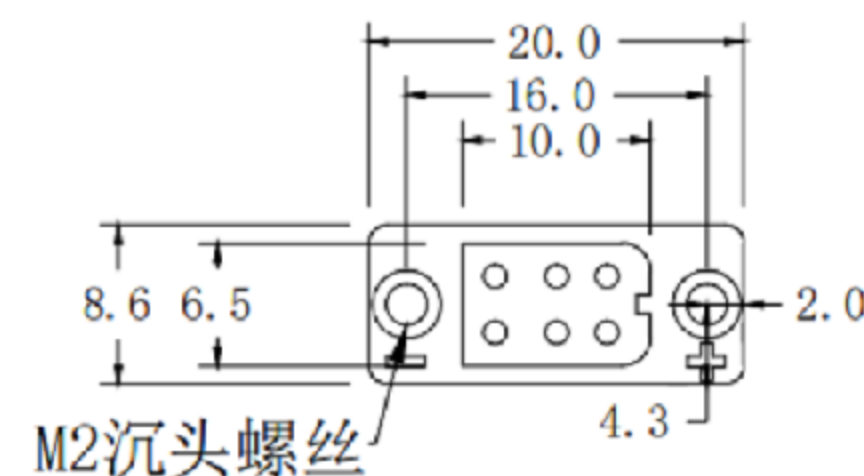
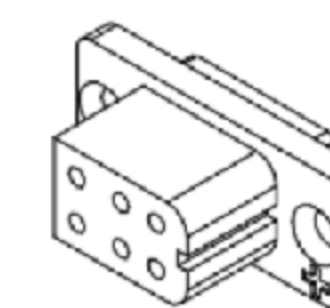


M2沉头螺丝固定开孔图与开窗图



Recommended P.C. Board Layout

GD-TX-6P-M 插座



检验标准:

1. 塑胶件须无缺胶、缩水、破裂。变形、披锋、顶白等不良现象;
2. 五金不能缺失冠簧、无表面处理现象;
3. 塑胶件公差为±0.2mm 五金公差为±0.08 组装公差为±0.5mm

产品型号: GD-TX-6P-M

产品颜色: 黑色

金属材质: 铜镀金(1u)

绝缘材质: PA

瞬时电流: 10A

额定电流: 5A

额定电压: DC 500V

工作温度: -20°C to 120°C

推荐使用次数: 2000 TIMES

东莞市高迪电子有限公司
DONG GUAN GAO DI ELECTRONICS CO., LTD

TOLERANCE UNLESS OTHERWISE STATED: Up to 5 ±0.2, Above 5 ~ 15 ±0.3, Above 15 ~ 30 ±0.4, Above 30 ~ 50 ±0.5, Angle ±0.3°

3RD. ANGEL'S

UNITS MM

DRAWN BY: Jack Lu, DATE: 12/13/19

CHECKED BY: Jacky Chen, DATE: 12/13/19

APPROVED BY: Tony Kao, DATE: 12/13/19

MAT'L		TITLE	CONNECTOR
FINISH		MODLE	GD-TX-6P-G
SCALE	1:1	DWG NO.	
SHEET NO.	1 of 1	PART NO.	
		SIZE	A4
		VER	R1