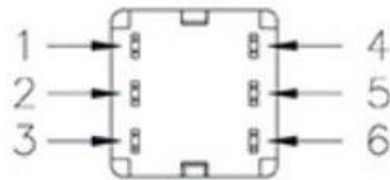
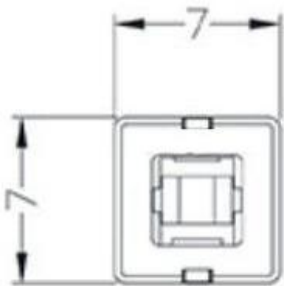
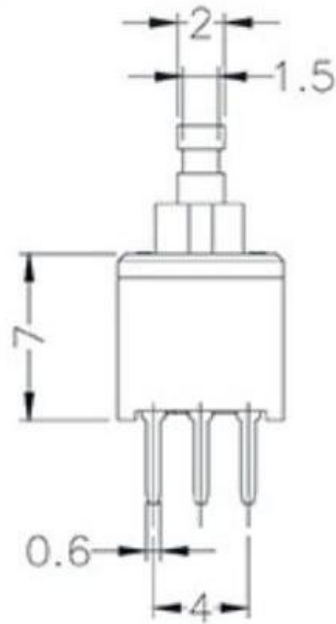
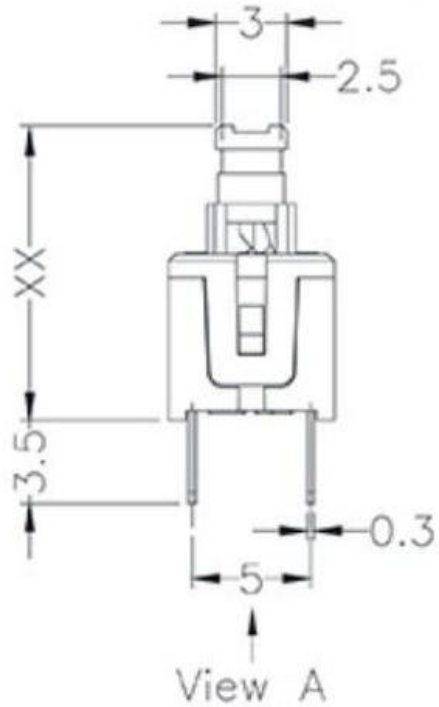
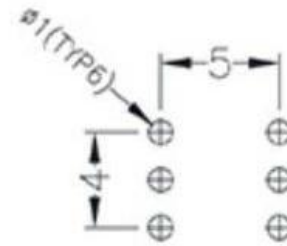


FREE	12.4
LOCK	11.5



view A  
scale 1:1



P.C.B MOUNTING PATTERN

NOTE:

- 1. : SELF-LOCK
- 2. :NON-LOCK



SCHEMATIC

FREE			LOCK		
1	2	3	1	2	3
4	5	6	4	5	6

SPECIFICATIONS

- 1.Rating : DC 30V 0.1A
- 2.Circuit : 2P2T
- 3.Timing : Non-Shorting
- 4.Operating force : 160 ± 50gf
- 5.Life test : 10,000 cycles

NO.	DESCRIPTION	QTY	MATERIAL	REMARK
6	CONTACT(CLIP)	2	PHOSPHOR BRONZE	Ag-Plated
5	SPRING	1	STEEL	
4	TERMINAL	6	BRASS	Ag-Plated
3	BOTTOM CASE	1	PA66	BLACK
2	COPING CASE	1	PA66	WHITE
1	KNOB	1	POM	GREEN



东莞市高迪电子有限公司

Dong Guan KDRR Electronic Switch Jack Co., Ltd.

TOLERANCE UNLESS OTHERWISE STATED:

Up to 5 ±0.2  
Above 5 - 15 ±0.3  
Above 15 - 30 ±0.4  
Above 30 - 50 ±0.5  
Angle ±0.3°

3RD. ANGEL'S



UNITS

MM

DRAWN BY:

DATE

Jack Lu

10/23/15

MAT'L

TITLE

SWITCH

CHECKED BY:

DATE

Jacky Chen

10/23/15

FINISH

MODLE

PUSH SWITCH

APPROVED BY:

DATE

Tony Kao

10/23/15

SCALE

1:1

DWG NO.

SIZE

A4

VER

R2

SHEET NO.

1 of 1

PART NO.

ITEM NO	DESCRIPTION	DRAWN	DATE
2	新增SPEC	Jack	102915
1	新增PIN編號	Jack	101215