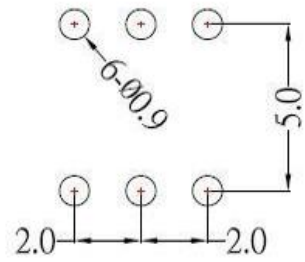
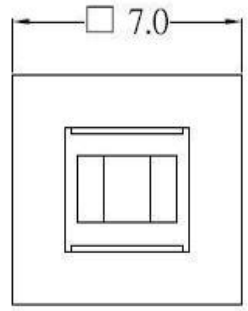
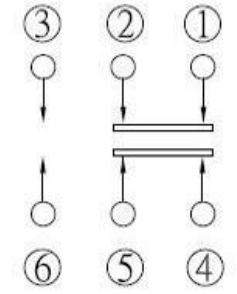


DIMENSIONS



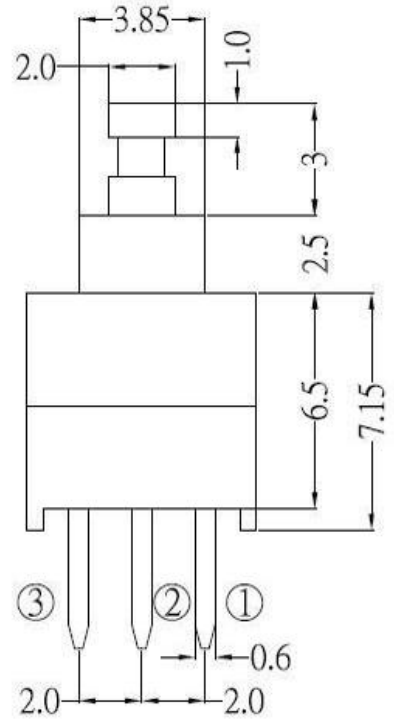
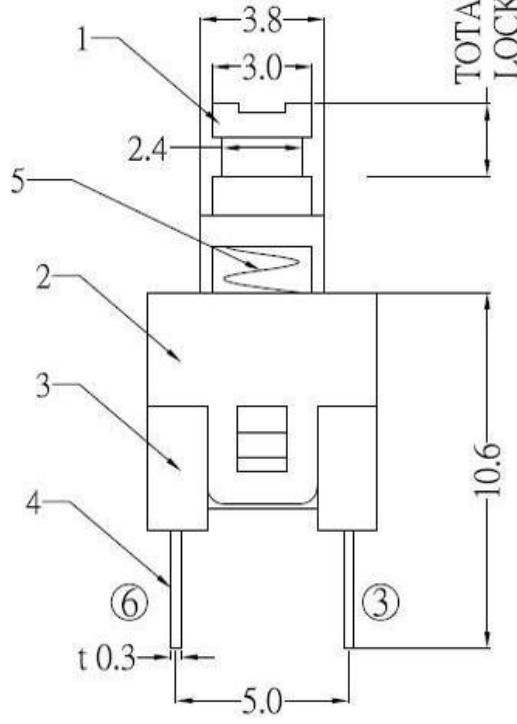
P.C.B MOUNTING PATTERN



SCHEMATIC

NOTE:
1. : SELF-LOCK
2. :NON-LOCK

TOTAL TRAVEL 2.0
LOCK TRAVEL 1.0



SPECIFICATIONS

1. Rating : DC 30V 0.1A
2. Circuit : 2P2T
3. Timing : Non-Shorting
4. Operating force : 160 ± 50gf
5. Life test : 10,000 cycles

NO.	DESCRIPTION	QTY	MATERIAL	REMARK
6	CONTACT(CLIP)	2	PHOSPHOR BRONZE	Ag-Plated
5	SPRING	1	STEEL	
4	TERMINAL	6	BRASS	Ag-Plated
3	BOTTOM CASE	1	PA66	BLACK
2	COPING CASE	1	PA66	WHITE
1	KNOB	1	POM	GREEN

 **东莞市高迪电子有限公司**
Dong Guan KDRR Electronic Switch Jack Co., Ltd.

DRAWN BY:	DATE	MAT'L	TITLE	SWITCH
Jack Lu	10/23/15			
CHECKED BY:	DATE	FINISH	MODLE	PUSH SWITCH
Jacky Chen	10/23/15			
APPROVED BY:	DATE	SCALE	DWG NO.	SIZE
Tony Kao	10/23/15	1 : 1		A4
		SHEET NO.	PART NO.	VER
		1 of 1		R2

ITEM NO	DESCRIPTION	DRAWN	DATE
2	新增SPEC	Jack	102915
1	新增PIN編號	Jack	101215

TOLERANCE UNLESS OTHERWISE STATED:
 Up to 5 ±0.2
 Above 5 - 15 ±0.3
 Above 15 - 30 ±0.4
 Above 30 - 50 ±0.5
 Angle ±0.3

3RD. ANGEL'S

UNITS MM