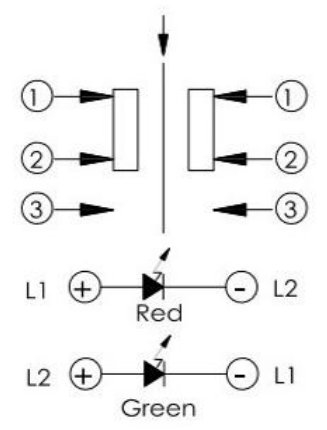
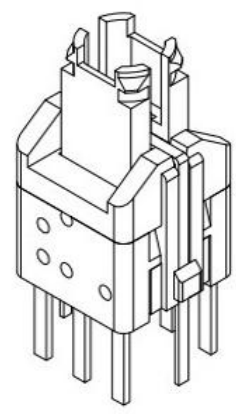
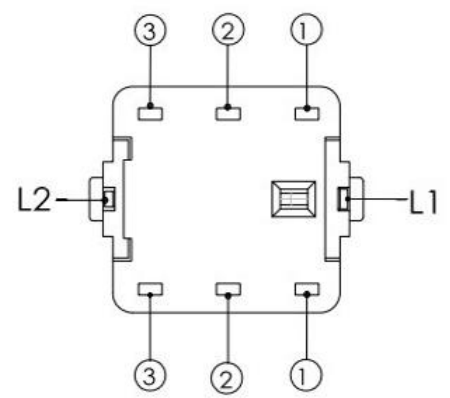


P.C.B LAYOUT MOUNTING PATTERN



CIRCUIT



0	Without	1	Red
2	Green	3	Orange
4	Yellow	7	Blue
8	White		

0	Without	1	Red
2	Green	3	Orange
4	Yellow	7	Blue
8	White		

NO.	PARTS	MATERIALS	Q'TY
8			
7			
6			
5	SPRING	SUS304	1 NATURAL
4	CAM STICK	SUS304	1 NATURAL
3	CASE	PA66/BRASS STRIP	1 GREY/Ag PLATED
2	COVER	PA66+15%F.G	1 BLACK
1	NOB	PA66+15%F.G/PBS STRIP	1 BLACK/Ag CLAD

TOLERANCE UNLESS SPECIFIED					
WITHIN 1.5mm	±0.1mm	A	2016-10-14	初版	
OVER 1.5mm	±0.2mm	ISSUE	DATE	DESCRIPTIONS OF REVISION	APPD.
TITLE : VERTICAL PUSH SWITCH			UNIT : mm	DRWG NO.:	
MODEL:			SCALE: 5:1	DWN.	2016-10-14
东莞市高迪电子有限公司 DONGGUANGAODI ELECTRONICS CO.,LTD.				CHK'D	2016-10-14
				APPD.	