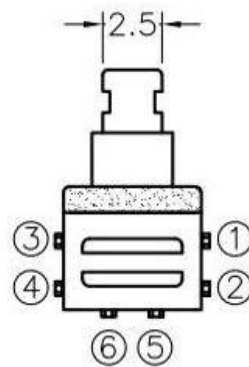
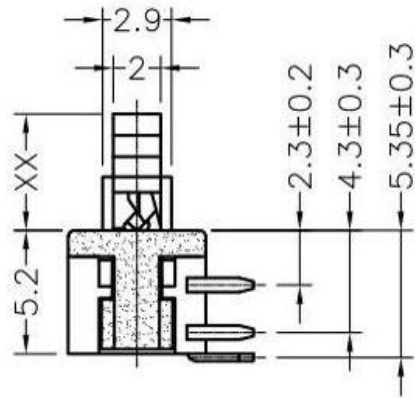
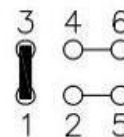


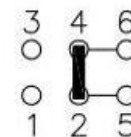
RELEASE	5.0
LOCK	3.6



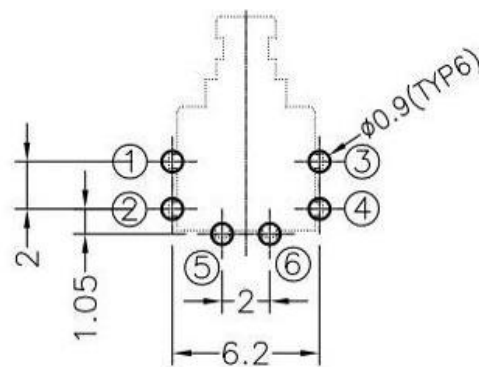
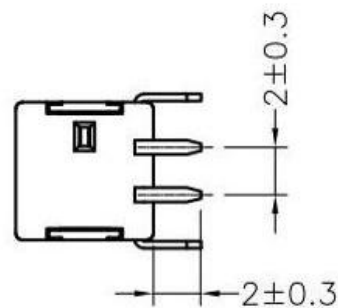
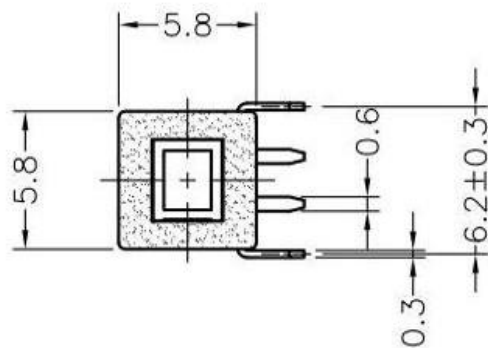
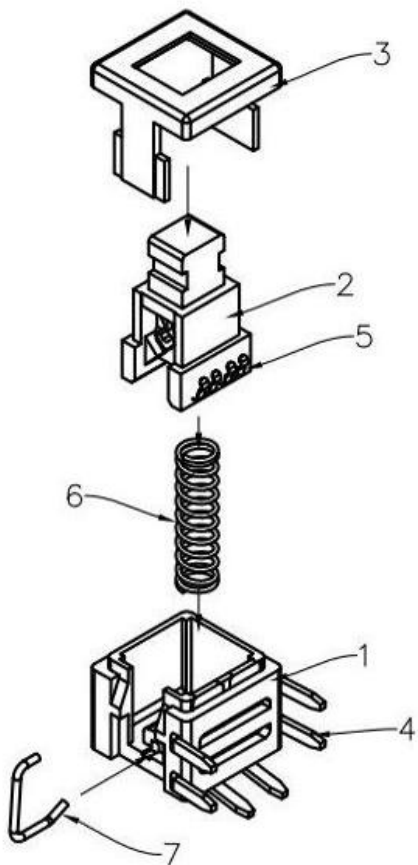
RELEASE



LOCK



SCHEMATIC (NON-SHORTING)



P.C.B LAYOUT MOUNTING PATTERN



东莞市高迪电子有限公司

Dong Guan KDRR Electronic Switch Jack Co., Ltd.

TOLERANCE UNLESS OTHERWISE STATED:

Up to 5 ±0.2  
Above 5 - 15 ±0.3  
Above 15 - 30 ±0.4  
Above 30 - 50 ±0.5  
Angle: ±0.3°

3RD. ANGEL'S



UNITS

MM

DRAWN BY:	DATE
Jack Lu	01/06/15
CHECKED BY:	DATE
Jacky Chen	01/06/15
APPROVED BY:	DATE
Tony Kao	01/06/15

MAT'L	TITLE	SWITCH
FINISH	MODLE	PUSH SWITCH
SCALE	DWG NO.	
SHEET NO.	PART NO.	
1 of 1		

2	更新Contact Resistance	Jack	010615
1	Rating Update	Frank Wu	030212
ITEM NO.	DESCRIPTION	DRAWN	DATE

SIZE	A4
VER	R1