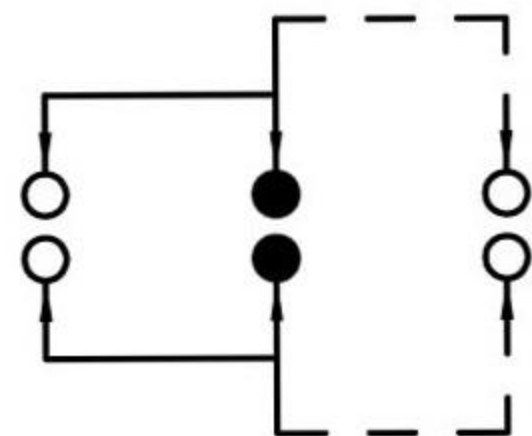
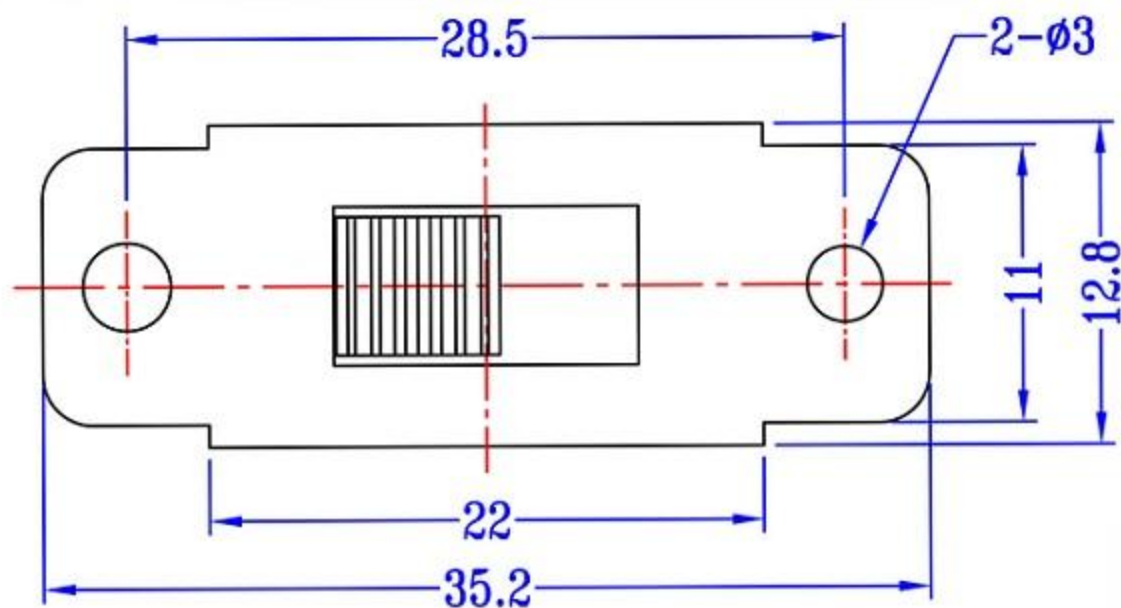
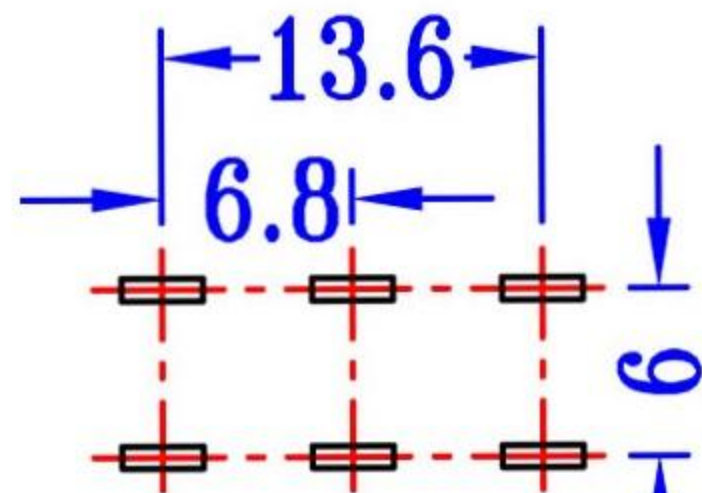




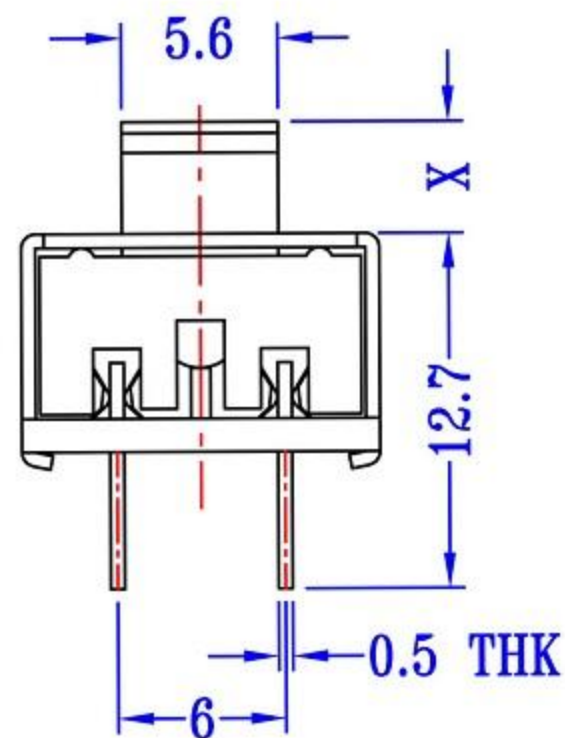
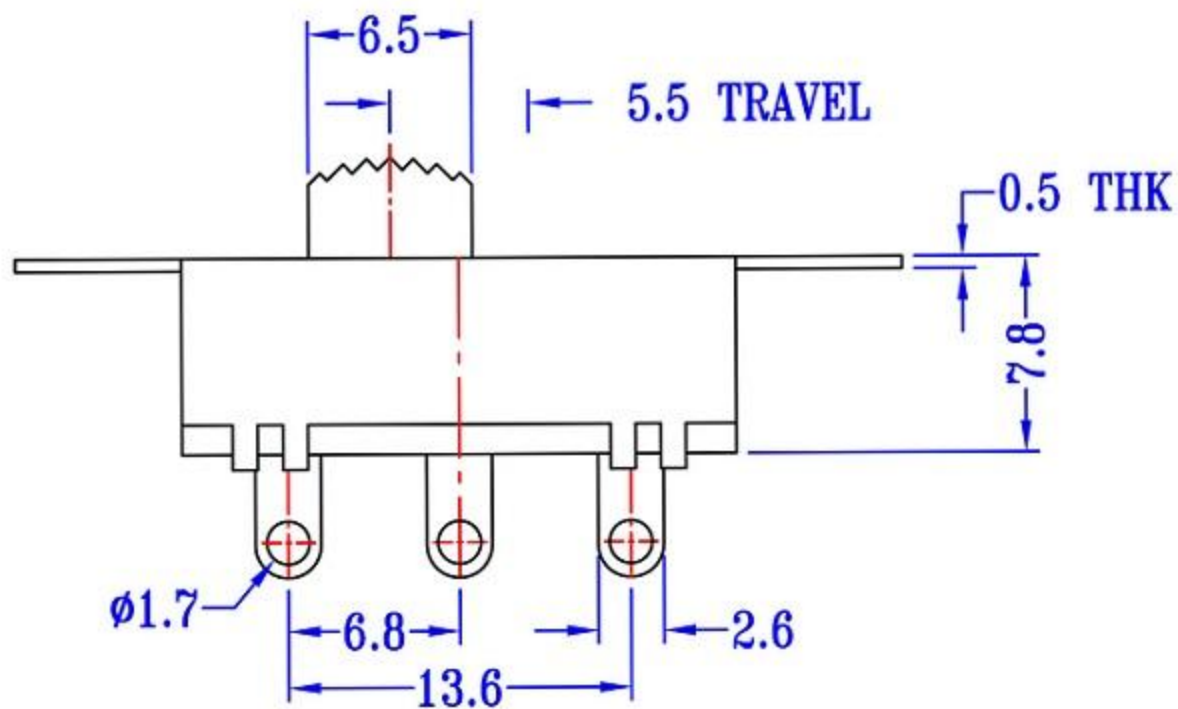
CAD FILE:



**SCHEMATIC (NON-SHORTING)**



**P.C.B LAYOUT  
BOTTOM VIEW**



注: "\*"表示关键尺寸(6个)

大电流拨动开关技术参数:

1. 额定负荷: AC 125V 250V 3A 6A 10A
2. 接触阻抗:  $\leq 50m\Omega$
3. 绝缘阻抗:  $\geq 100m\Omega$  DC500V
4. 耐焊温度:  $250 \pm 5^\circ$  5s
5. 使用寿命: 10,000 cycles
6. 使用温度:  $-25^\circ\text{C}$  to  $80^\circ\text{C}$
7. 使用湿度:  $\leq 85\%$  RH
8. 操作力: 160gf 256gf 300gf 可定制
9. 手柄长度: 2mm-10mm 可定制

NO.	PARTS	MATERIALS	Q'TY	FINISH	TOLERANCE UNLESS SPECIFIED		WITHIN OVER		TITLE : VERTICAL SLIDE SWITCH		UNIT : mm	DRWG NO.:	
8												初版	
7	STEEL BALL	STEEL	1	NATURAL			A	2012-10-28					
6	SPRING	STEEL WIRE	1	NATURAL			ISSUE	DATE					
5	CONTACT CLIP	PBS STRIP	2	Ag PLATED									APPD.
4	TERMINAL	BRASS STRIP	8	Ag PLATED									
3	BASE	PHENOLIC RESIN	1	NATURAL									
2	FRAME	STEEL STRIP	1	Ni PLATED									
1	KNOB	POM	1	BLACK									
<b>东莞市高迪电子有限公司</b>											SCALE: 3:1	DWN.	2012-10-28
												CHK'D	2012-10-26
												APPD.	2012-10-26