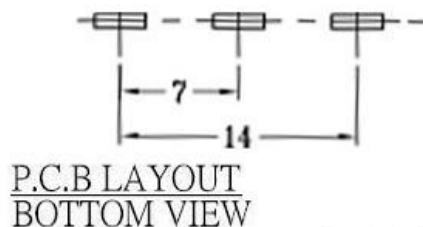
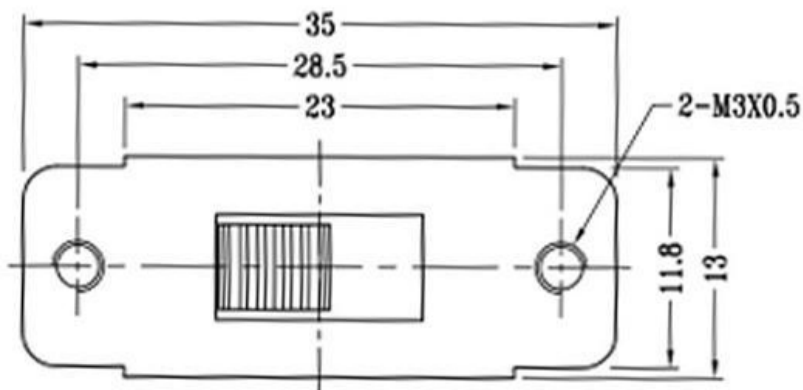


X(mm)
2mm
3mm
4mm
5mm
6mm
7mm
8mm
9mm



P.C.B LAYOUT
BOTTOM VIEW



SCHEMATIC (NON-SHORTING)

NO.	DESCRIPTION	QTY	MATERIAL	REMARK
7	STEEL BALL	1	STAINLESS	Natural
6	SPRING	1	STAINLESS	Natural
5	CONTACT CLIP	1	PHOSPHOR BRONZE	Ag-plated
4	TERMINAL	4	BRASS	Ag-plated
3	BASE	1	PHENOLIC RESIN	Natural
2	FRAME	1	SPCC	Ni-Plated
1	KNOB	1	POM	Black

ITEM NO.	DESCRIPTION	DRAWN	DATE
3	新增SPEC	Jack	11/2014
2	更新材質	Jack	04/2014
1	更新尺寸6.0改5.8	Jack	03/17/14



东莞市高迪电子有限公司
Dong Guan KDRR Electronic Switch Jack Co., Ltd.

TOLERANCE UNLESS OTHERWISE STATED:
 Up to 5 ±0.2
 Above 5 ~ 15 ±0.3
 Above 15 ~ 30 ±0.4
 Above 30 ~ 50 ±0.5
 Angle ±0.3

3RD. ANGEL'S



UNITS MM

DRAWN BY: Jack Lu	DATE 11/20/14	MAT'L	TITLE SWITCH
CHECKED BY: Jacky Chen	DATE 11/20/14	FINISH	MODLE SLIDE SWITCH
APPROVED BY: Tony Kao	DATE 11/20/14	SCALE 1:1	DWG NO.
SHEET NO. 1 of 1		PART NO.	SIZE A4 VER R3