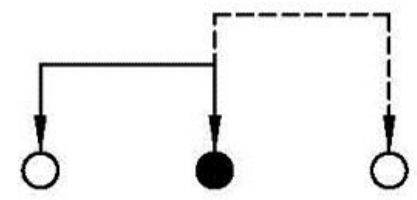
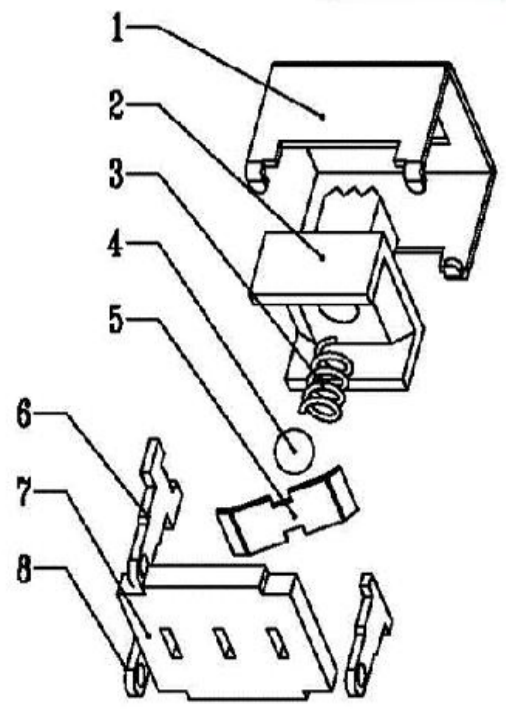


X(mm)
2mm
3mm
4mm
5mm
6mm
7mm
8mm
9mm



SCHEMATIC (NON-SHORTING)

1. 额定值：1.5A 125V AC
2. 接触电阻：30mΩ以下
3. 绝缘电阻：100兆欧以上
4. 耐电压：AC500V/1min
5. 操作力度：350gf±100gf
6. 寿命：空载寿命10000次负载寿命5000次
7. 拨动行程：4.5mm
8. 耐焊性试验：焊炉焊接的时候温度控制在260±3°C, 过炉时间为3±0.5秒, 于基板厚度为1.6mm

NO.	DESCRIPTION	QTY	MATERIAL	REMARK
7	STEEL BALL	1	STAINLESS	Natural
6	SPRING	1	STAINLESS	Natural
5	CONTACT CLIP	1	PHOSPHOR BRONZE	Ag-plated
4	TERMINAL	4	BRASS	Ag-plated
3	BASE	1	PHENOLIC RESIN	Natural
2	FRAME	1	SPCC	Ni-Plated
1	KNOB	1	POM	Black

东莞市高迪电子有限公司
DongGuan KDRR Electronic Switch Jack Co., Ltd.

TOLERANCE UNLESS OTHERWISE STATED: Up to 5 ±0.2, Above 5 ~ 15 ±0.3, Above 15 ~ 30 ±0.4, Above 30 ~ 50 ±0.5, Angle ±0.3

3RD. ANGEL'S

UNITS MM

DRAWN BY: Jack Lu	DATE: 11/20/14	MAT'L	TITLE: SWITCH
CHECKED BY: Jacky Chen	DATE: 11/20/14	FINISH	MODLE: SLIDE SWITCH
APPROVED BY: Tony Kao	DATE: 11/20/14	SCALE: 1:1	DWG NO.
		SHEET NO. 1 of 1	PART NO.

ITEM NO.	DESCRIPTION	DRAWN	DATE
3	新增SPEC	Jack	11/20/14
2	更新材質	Jack	04/02/14
1	更新尺寸6.0改5.8	Jack	03/17/14