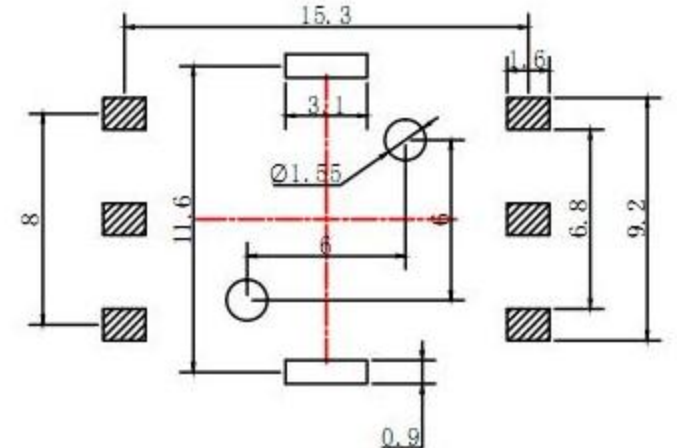
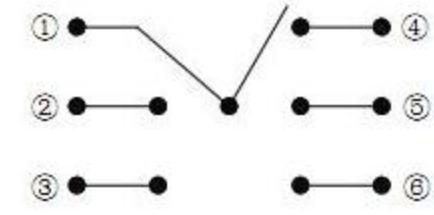
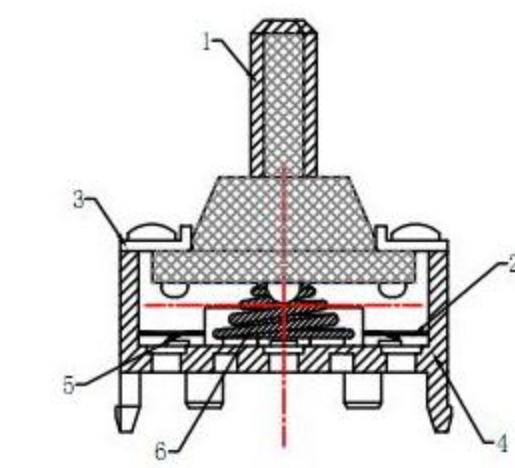
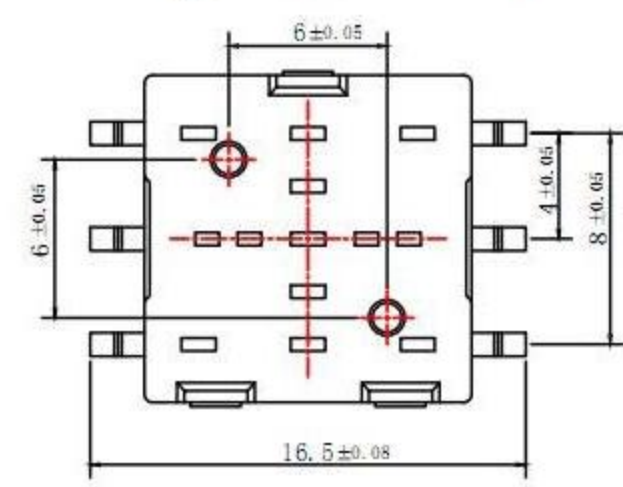
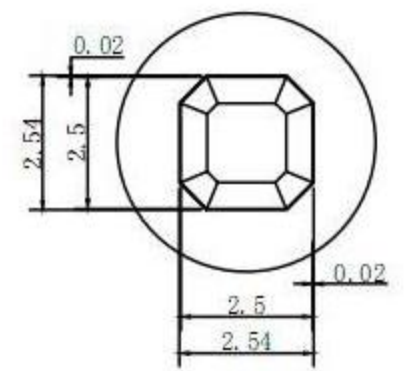


	1	2	3	4	5	6
F1	○			○		
F2	○	○				
F3	○					○
F4	○				○	
F5	○		○			



Rating	0.1A 12V DC
Insulation Resistance	50MΩ Min.
Dielectric Withstanding Voltage	AC 250 V(50Hz)1min
Contact Resistance	100mΩ Max.
Operating Life	50,000 cycles



NO.	DESCRIPTION	QTY	MATERIAL	PLATING
E	TERMINAL	3	PHOSPHOR BRONZE	Ag plated
D	CONTACT	2	SUS	Ag plated
C	COVER	1	SUS	Ag plated
B	CASE	1	LCP	Black
A	Knob	1	PA46	Black

 **东莞市高迪电子有限公司**  
Dong Guan KDRR Electronic Switch Jack Co., Ltd.

DRAWN BY:	DATE	MAT'L	TITLE	SWITCH
Jack Lu	07/30/13		MODLE	Multi Function SWITCH
CHECKED BY:	DATE	FINISH	DWG NO.	SIZE
Jacky Chen	07/30/13			A4
APPROVED BY:	DATE	SCALE	PART NO.	VER
Tony Kao	07/30/13	1:1		R1
		SHEET NO.		
		1 of 1		

1	更新材質	Jack	073013
ITEM NO.	DESCRIPTION	DRAWN	DATE

TOLERANCE UNLESS OTHERWISE STATED:  
 Up to 5 ±0.2  
 Above 5 ~ 15 ±0.3  
 Above 15 ~ 30 ±0.4  
 Above 30 ~ 50 ±0.5  
 Angle ±0.3

3RD. ANGEL'S

UNITS MM