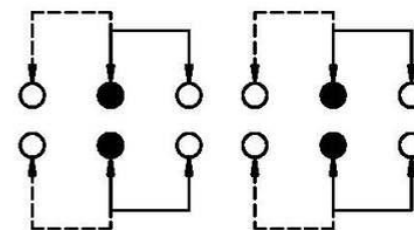
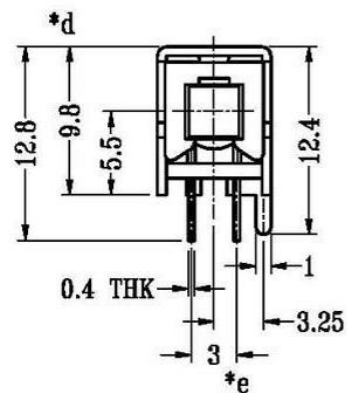
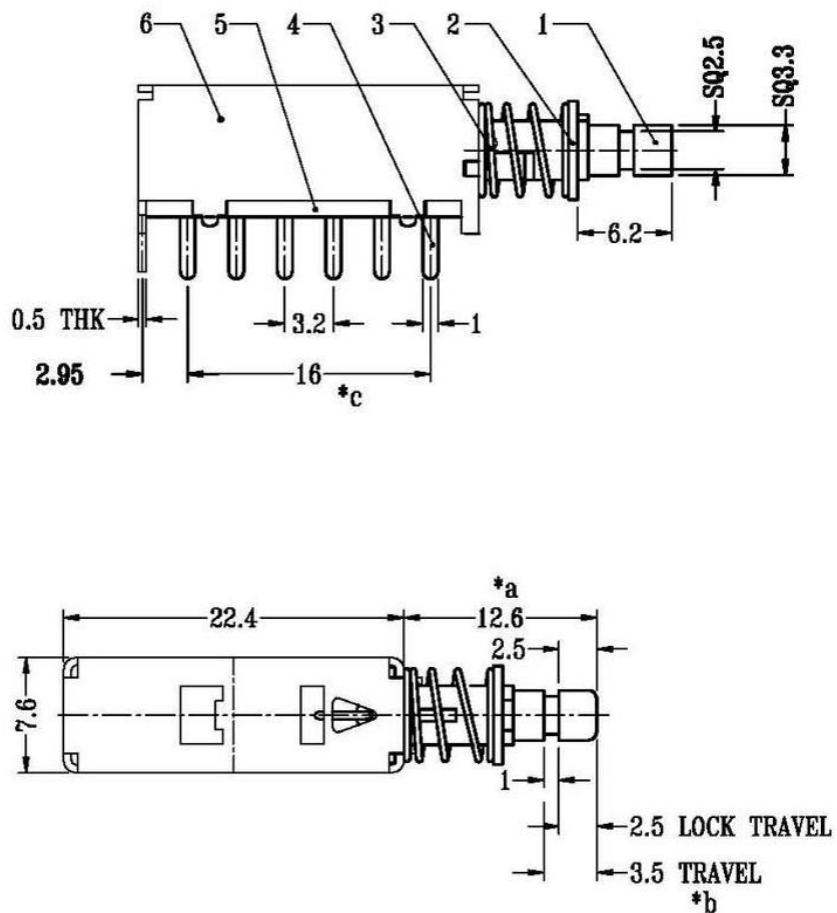
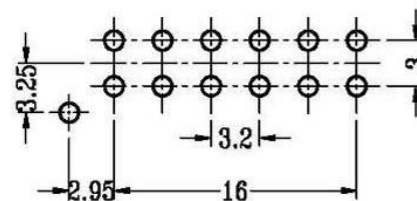


CAD FILE:



SCHEMATIC (NON-SHORTING)



P.C.B LAYOUT
BOTTOM VIEW

注：“*”表示关键尺寸(5个)

NO.	PARTS	MATERIALS	Q'TY	FINISH
9	SPRING PLATE	PBS STRIP	1	NATURAL
8	CAM STICK	PBS WIRE	1	NATURAL
7	CONTACT CLIP	PBS STRIP	4	Ag PLATED
6	FRAME	STEEL STRIP	1	Ni PLATED
5	BASE	PHENOLIC RESIN	1	NATURAL
4	TERMINAL	BRASS STRIP	12	Ag PLATED
3	SPRING	STEEL WIRE	1	Ni PLATED
2	BLOCK	STEEL STRIP	1	Ni PLATED
1	KNOB	POM	1	BLACK

TOLERANCE UNLESS SPECIFIED					
WITHIN 1.5mm	: ±0.1mm	A	2008.6.8	初版	
OVER 1.5mm	: ±0.2mm	ISSUE	DATE	DESCRIPTIONS OF REVISION	
TITLE : PUSH SWITCH			UNIT : mm	DRWG NO.:	
MODEL:			SCALE: 2:1	DWN.	张小姐 2008.6.8
东莞市高迪电子有限公司 KDRR Electronic Switch Jack Co., Ltd.			CHK'D	刘工	2008.6.8
			APPD.		