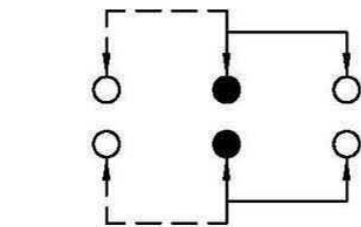
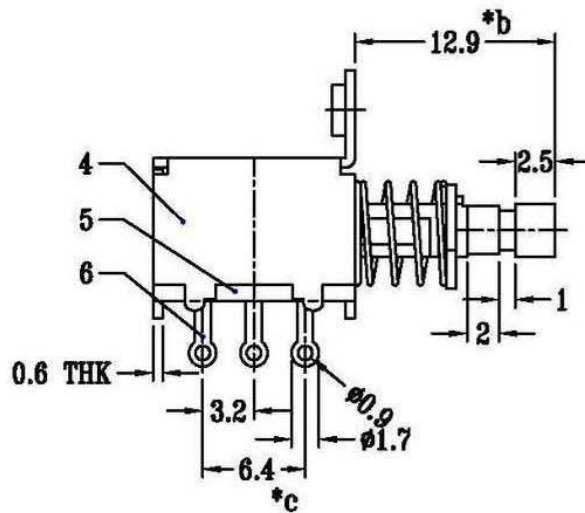
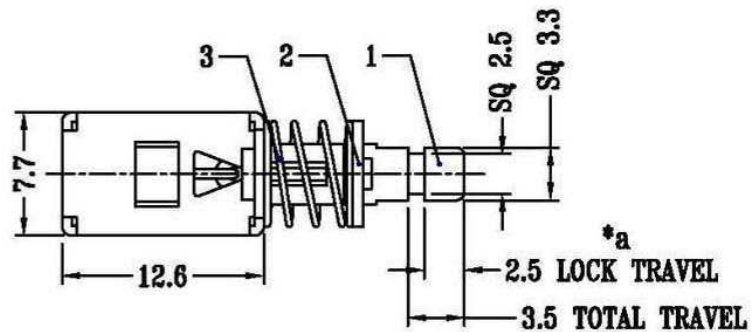
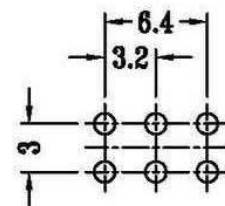
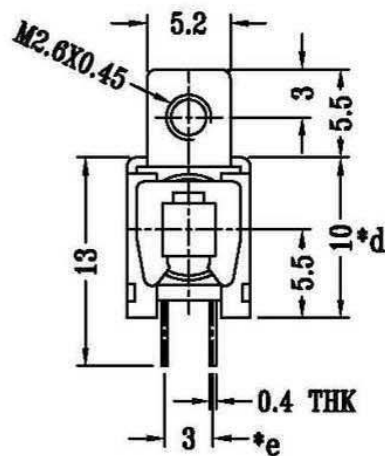


CAD FILE:



SCHEMATIC (NON-SHORTING)



P.C.B LAYOUT
BOTTOM VIEW

注：“*”表示关键尺寸(5个).

9	CAM STICK	PBS WIRE	1	NATURAL					
8	SPRING PLATE	PBS STRIP	1	NATURAL					
7	CONTACT CLIP	PBS STRIP	2	Ag PLATED					
6	TERMINAL	BRASS STRIP	6	Ag PLATED					
5	BASE	PHENOLIC RESIN	1	NATURAL					
4	FRAME	STEEL STRIP	1	Ni PLATED					
3	SPRING	STEEL WIRE	1	Ni PLATED					
2	BLOCK	STEEL STRIP	1	Ni PLATED					
1	KNOB	PA66	1	BLACK					
NO.	PARTS	MATERIALS	Q'TY	FINISH					
					TOLERANCE UNLESS SPECIFIED				
					WITHIN 1.5mm : ±0.1mm	A	2008.6.8	初版	
					OVER 1.5mm : ±0.2mm	ISSUE	DATE	DESCRIPTIONS OF REVISION	
					TITLE : PUSH SWITCH		UNIT : mm	DRWG NO.:	
					MODEL:		SCALE: 2:1	DWN.	张小姐
					2008.6.8				
					東莞市高迪電子有限公司		CHK'D	刘工	
					KDRR Electronic Switch Jack Co., Ltd.		APPD.	2008.6.8	