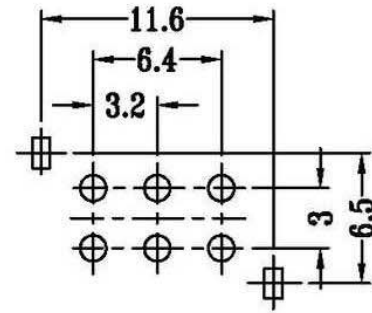
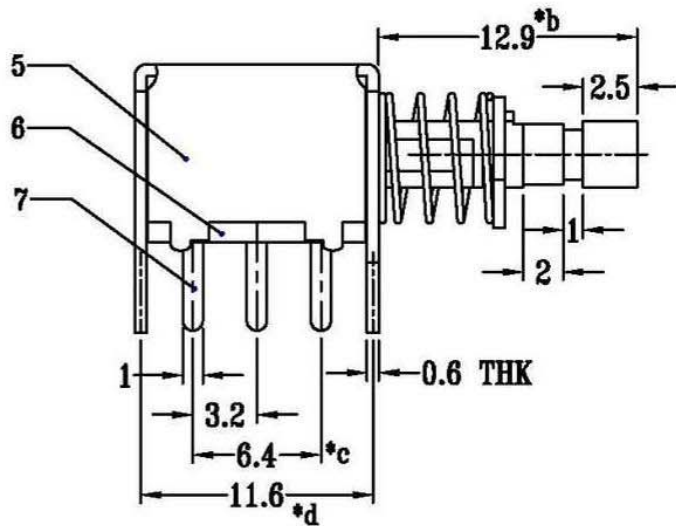
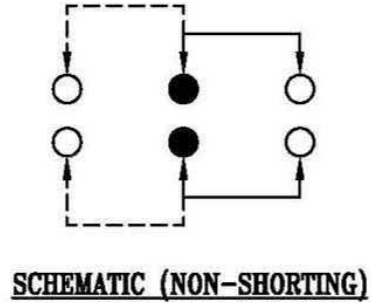
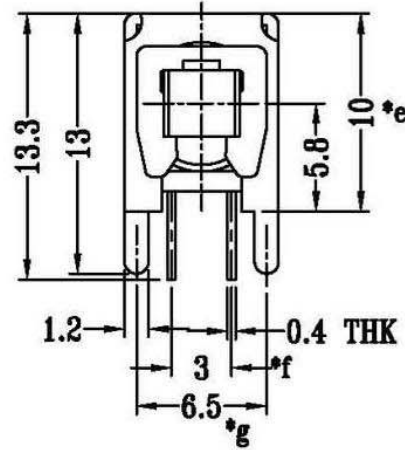
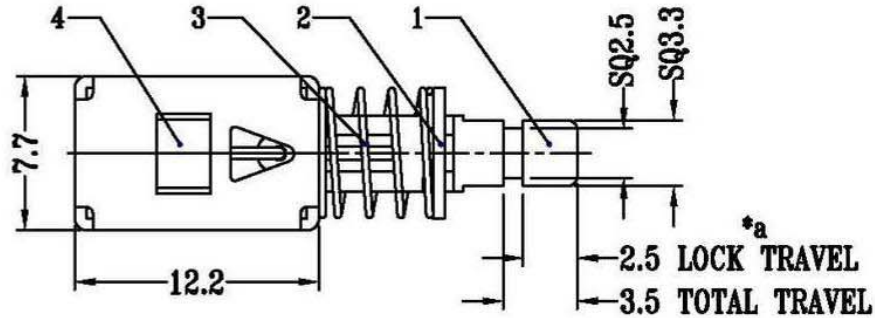


CAD FILE:



P.C.B LAYOUT
BOTTOM VIEW

注: "*"表示关键尺寸(7个)

NO.	PARTS	MATERIALS	Q'TY	FINISH
9	CONTACT CLIP	PBS C5210R-EH	2	Ag PLATED
8	CAM STICK	PBS WIRE	1	NATURAL
7	TERMINAL	BRASS STRIP	6	Ag PLATED
6	BASE	PHENOLIC RESIN	1	NATURAL
5	FRAME	STEEL STRIP	1	Ni PLATED
4	SPRING PLATE	PBS STRIP	1	NATURAL
3	SPRING	STEEL WIRE	1	Ni PLATED
2	BLOCK	STEEL STRIP	1	Ni PLATED
1	KNOB	PA66	1	BLACK

TOLERANCE					
UNLESS SPECIFIED					
WITHIN 1.5mm	: ±0.1mm	A	2008.6.8	初版	张小姐
OVER 1.5mm	: ±0.2mm	ISSUE	DATE	DESCRIPTIONS OF REVISION	APPD.
TITLE : PUSH SWITCH			UNIT : mm	DRWG NO.:	
MODEL:			SCALE: 5:2	DWN. 张小姐	2008.6.8
东莞市高迪电子有限公司 KDRR Electronic Switch JacK Co., Ltd.			CHK'D	刘工	2008.6.8
			APPD.		