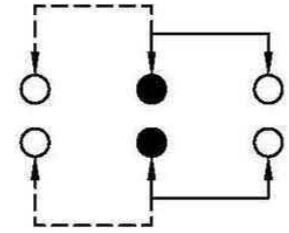
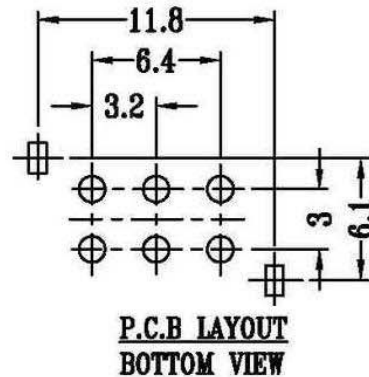
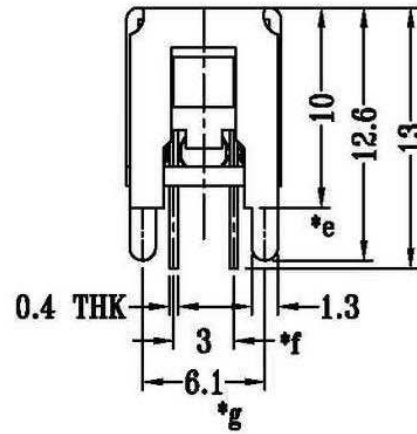
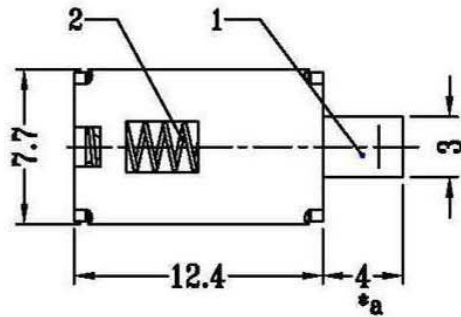
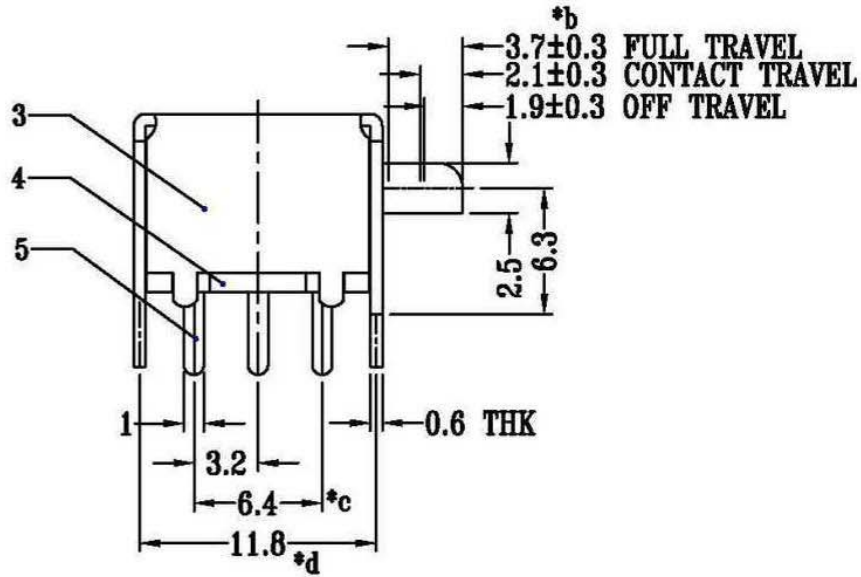


CAD FILE:



SCHEMATIC (NON-SHORTING)

注: "*"表示关键尺寸(7个)

8					TOLERANCE					
7					UNLESS SPECIFIED					
6	CONTACT CLIP	PBS C5210R-EH	2	Ag CLAD	WITHIN 1.5mm : ± 0.1 mm	A	2008.6.8	初版	张小姐	
5	TERMINAL	BRASS STRIP	6	Ag PLATED	OVER 1.5mm : ± 0.2 mm	ISSUE	DATE	DESCRIPTIONS OF REVISION	APPD.	
4	BASE	PHENOLIC RESIN	1	NATURAL	TITLE : PUSH SWITCH		UNIT : mm	DRWG NO.:		
3	FRAME	STEEL STRIP	1	Ni PLATED	MODEL:		SCALE: 5:2	DWN.	张小姐	
2	SPRING	STEEL WIRE	1	Ni PLATED					2008.6.8	
1	KNOB	POM	1	BLACK						
NO.	PARTS	MATERIALS	Q'TY	FINISH	东莞市高迪电子有限公司 KDRR Electronic Switch Jack Co., Ltd.			CHK'D	刘工	2008.6.8
								APPD.		