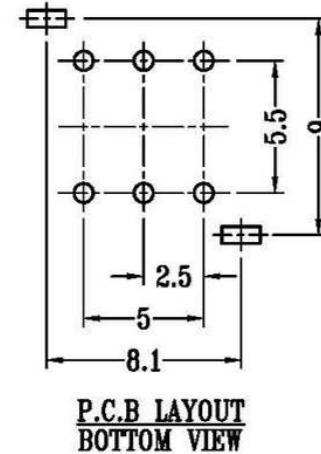
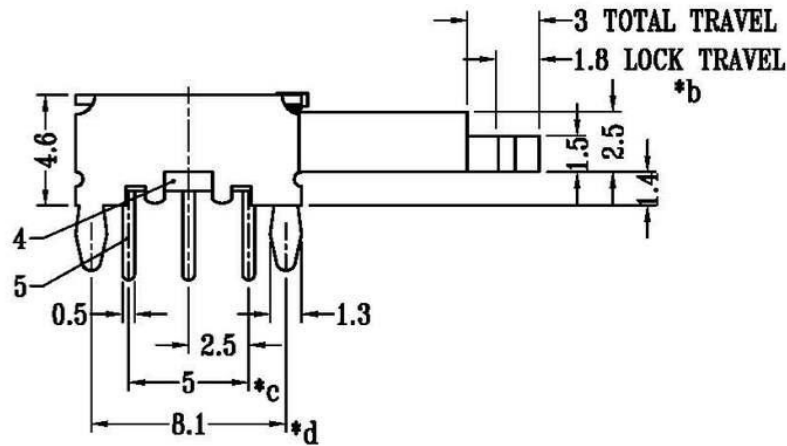
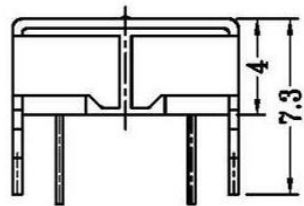
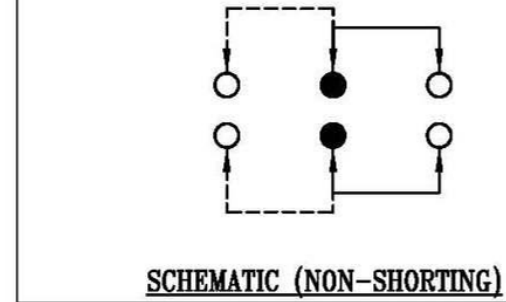
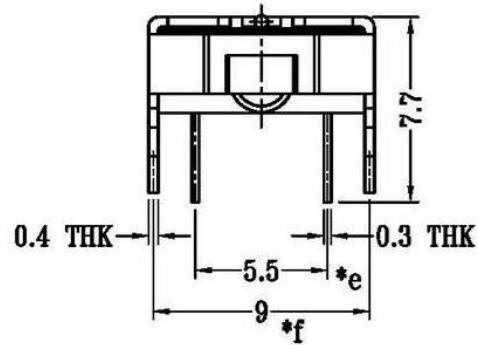
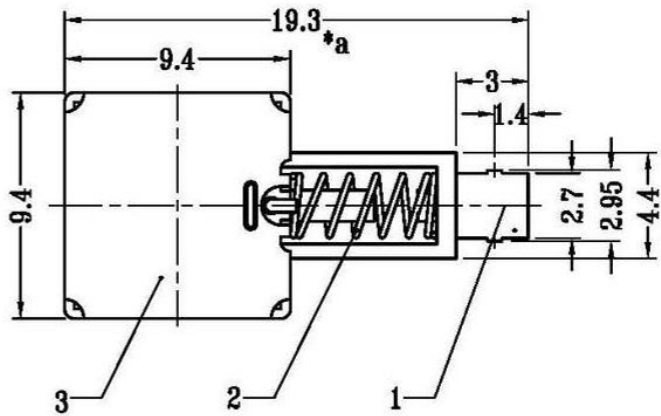


CAD FILE:



注: "*"表示关键尺寸(6个)

8	CONTACT CLIP	PBS STRIP	2	Ag PLATED	TOLERANCE UNLESS SPECIFIED					
7	CAM STICK	BRASS WIRE	1	NATURAL						
6	SPRING PLATE	PBS STRIP	1	NATURAL	WITHIN 1.5mm : ±0.1mm	A	2008.6.8	初版	张小姐	
5	TERMINAL	BRASS STRIP	6	Ag PLATED	OVER 1.5mm : ±0.2mm	ISSUE	DATE	DESCRIPTIONS OF REVISION	APPD.	
4	BASE	PHENOLIC RESIN	1	NATURAL	TITLE : PUSH SWITCH		UNIT : mm	DRWG NO.:		
3	FRAME	STEEL STRIP	1	Ni PLATED	MODEL:		SCALE: 3:1	DWN.	张小姐	2008.6.8
2	SPRING	STEEL WIRE	1	NATURAL	東莞市高迪电子有限公司 KDRR Electronic Switch Jack Co., Ltd.			CHK'D	刘工	2008.6.8
1	KNOB	POM	1	YELLOW				APPD.		
NO.	PARTS	MATERIALS	Q'TY	FINISH						