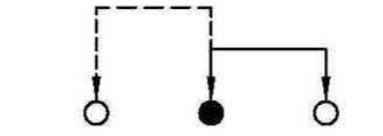
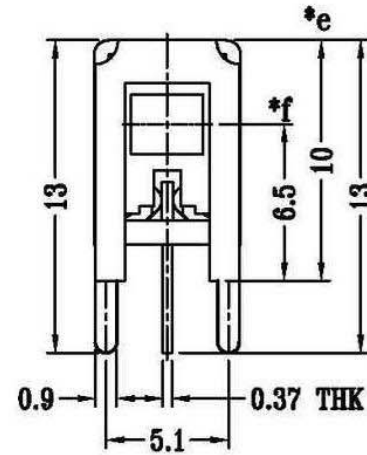
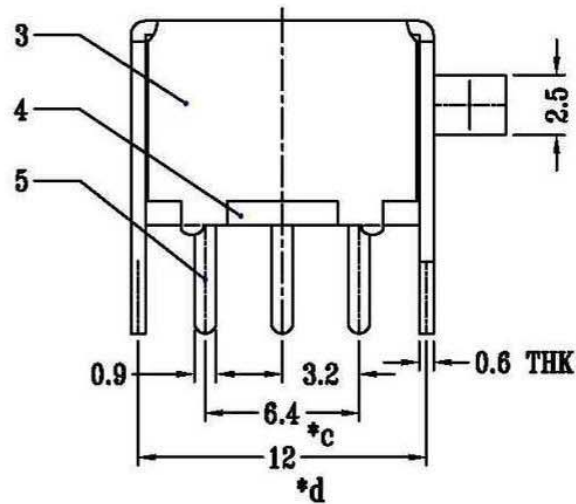
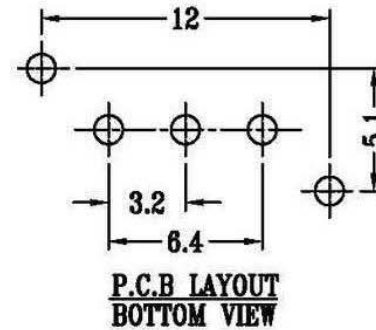
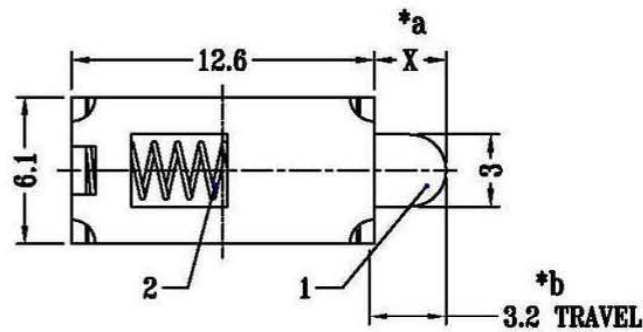


CAD FILE:



**SCHEMATIC (NON-SHORTING)**



注：“\*”□表示关键尺寸(6个).

NO.	PARTS	MATERIALS	Q'TY	FINISH	TOLERANCE UNLESS SPECIFIED	UNIT	DATE	DESCRIPTIONS OF REVISION	APPD.
8									
7									
6	CONTACT CLIP	PBS STRIP	1	Ag PLATED	WITHIN 1.5mm : ±0.1mm	A	2008.6.8	初版	张小姐
5	TERMINAL	BRASS STRIP	3	Ag PLATED	OVER 1.5mm : ±0.2mm	ISSUE	DATE		
4	BASE	PHENOLIC RESIN	1	NATURAL	TITLE : PUSH SWITCH		UNIT : mm	DRWG NO.:	
3	FRAME	STEEL STRIP	1	Ni PLATED	MODEL:		SCALE: 3:1	DWN.	张小姐
2	SPRING	STEEL WIRE	1	NATURAL	东莞市高迪电子有限公司 KDRR Electronic Switch Jack Co., Ltd.			APPD.	刘工
1	KNOB	POM	1	BLACK					