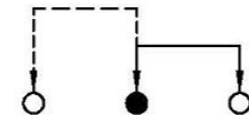
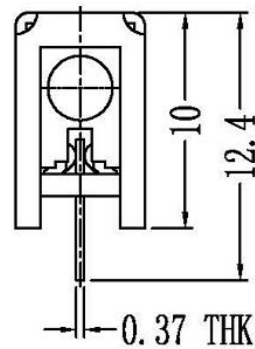
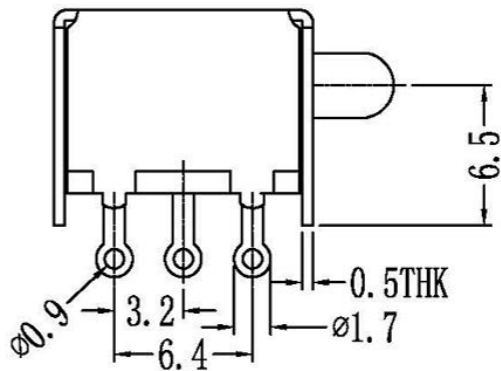
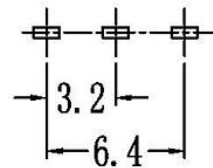
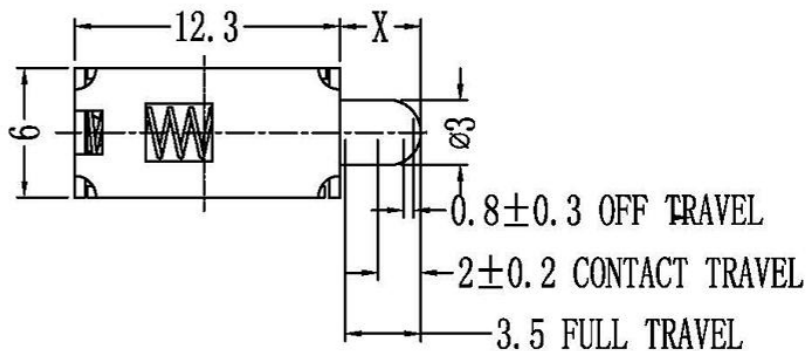


CAD FILE:



SCHEMATIC (NON-SHORTING)



P.C.B LAYOUT  
BOTTOM VIEW

注: "\*"表示关键尺寸(7个)

NO.	PARTS	MATERIALS	Q'TY	FINISH
9	CONTACT CLIP	PBS C5210R-EH	2	Ag PLATED
8	CAM STICK	PBS WIRE	1	NATURAL
7	TERMINAL	BRASS STRIP	6	Ag PLATED
6	BASE	PHENOLIC RESIN	1	NATURAL
5	FRAME	STEEL STRIP	1	Ni PLATED
4	SPRING PLATE	PBS STRIP	1	NATURAL
3	SPRING	STEEL WIRE	1	Ni PLATED
2	BLOCK	STEEL STRIP	1	Ni PLATED
1	KNOB	PA66	1	BLACK

TOLERANCE UNLESS SPECIFIED					
WITHIN 1.5mm : ±0.1mm	A	2008.6.8	初版		张小姐
OVER 1.5mm : ±0.2mm	ISSUE	DATE	DESCRIPTIONS OF REVISION		APPD.
TITLE : PUSH SWITCH		UNIT : mm	DRWG NO.:		
MODEL:		SCALE: 5:2	DWN.	张小姐	2008.6.8
东莞市高迪电子有限公司 KDRR Electronic Switch JacK Co., Ltd.		CHK'D	刘工		2008.6.8
		APPD.			