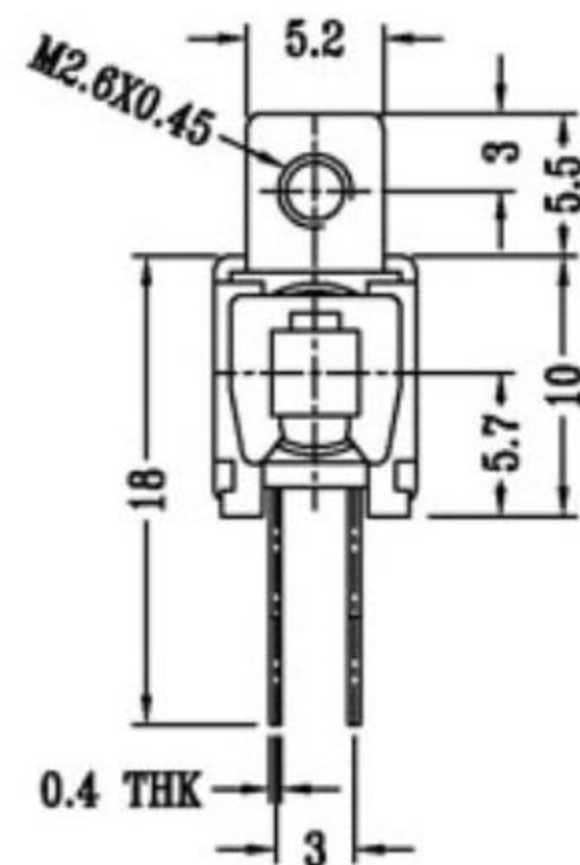
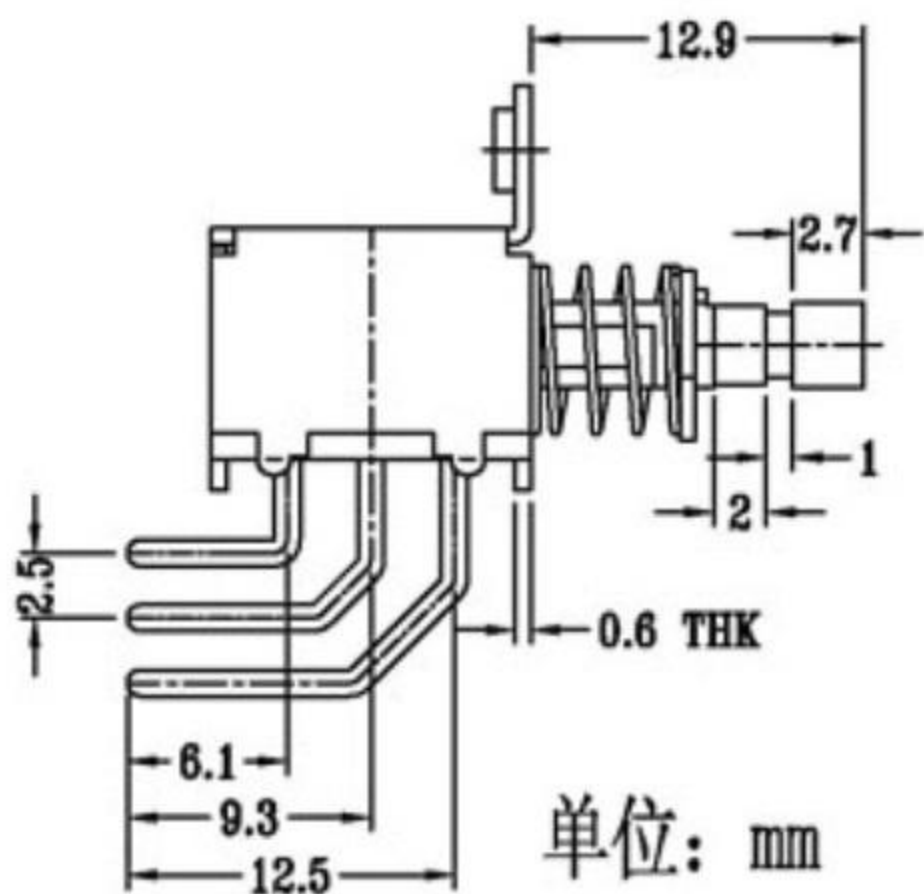
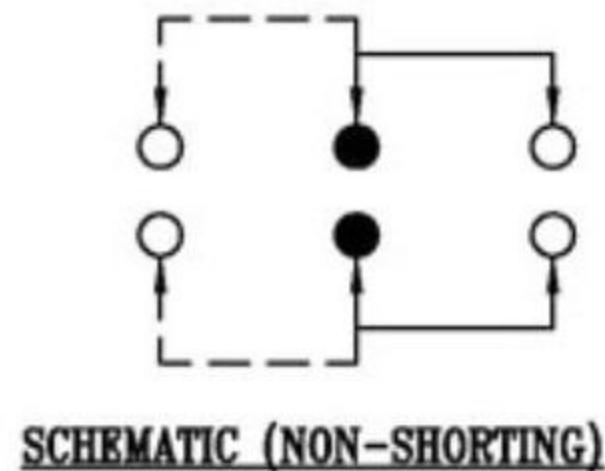
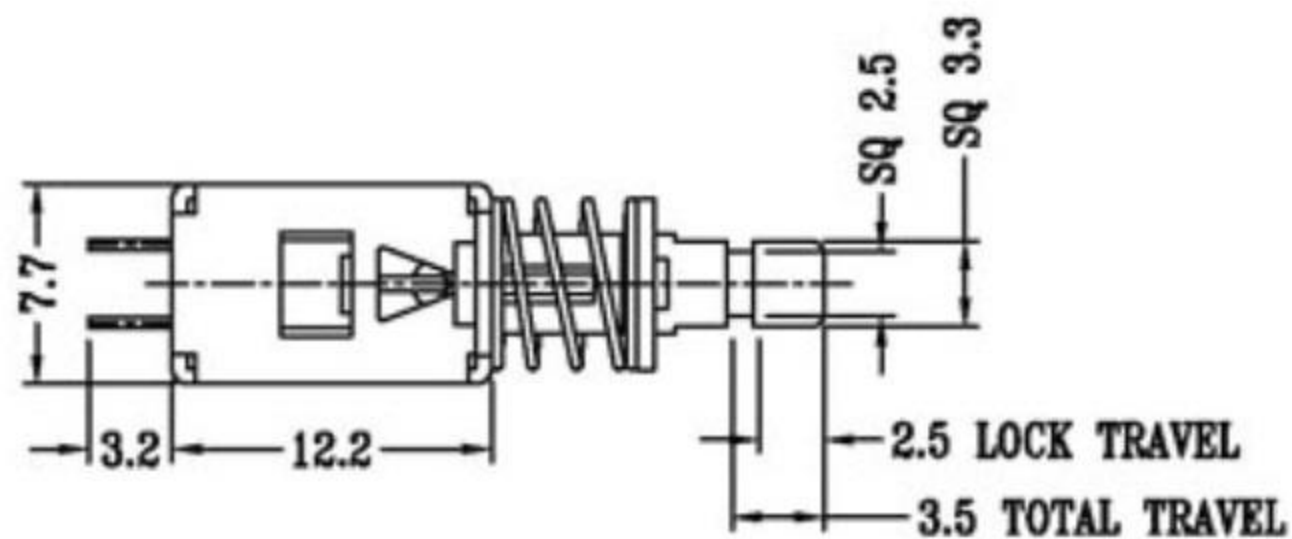


CAD FILE:



注: "\*"表示关键尺寸(6个)

9	CONTACT CLIP	PBS C5210R-EH	1	Ag CLAD				
8	SPRING PLATE	PBS STRIP	1	Ni PLATED				
7	BASE	PHENOLIC RESIN	1	NATURAL				
6	TERMINAL	BRASS STRIP	3	Ag PLATED	WITHIN 1.5mm : ±0.1mm	A	2012-8-22	初版
5	KNOB	PA66	1	BLUE	OVER 1.5mm : ±0.2mm	ISSUE	DATE	DESCRIPTIONS OF REVISION
4	BLOCK	STEEL STRIP	1	Ni PLATED	TITLE : PUSH SWITCH			APPD.
3	SPRING	STEEL WIRE	1	Ni PLATED	UNIT : mm			DRWG NO.:
2	CAM STICK	PBS WIRE	1	Ni PLATED	MODEL:			DWN.
1	FRAME	STEEL STRIP	1	Ni PLATED	SCALE: 3:1			2012-8-22
NO.	PARTS	MATERIALS	Q'TY	FINISHING	<b>东莞市高迪电子有限公司</b>			2012-8-22
								APPD.