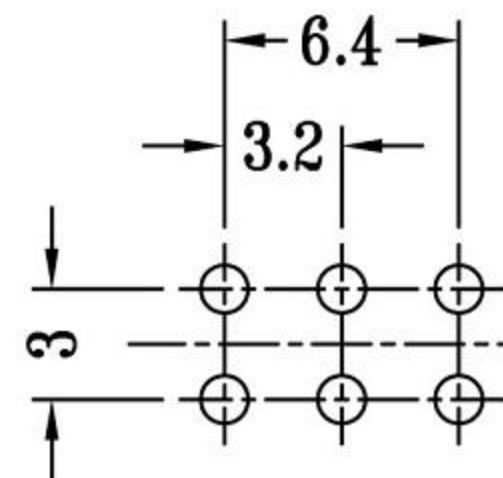
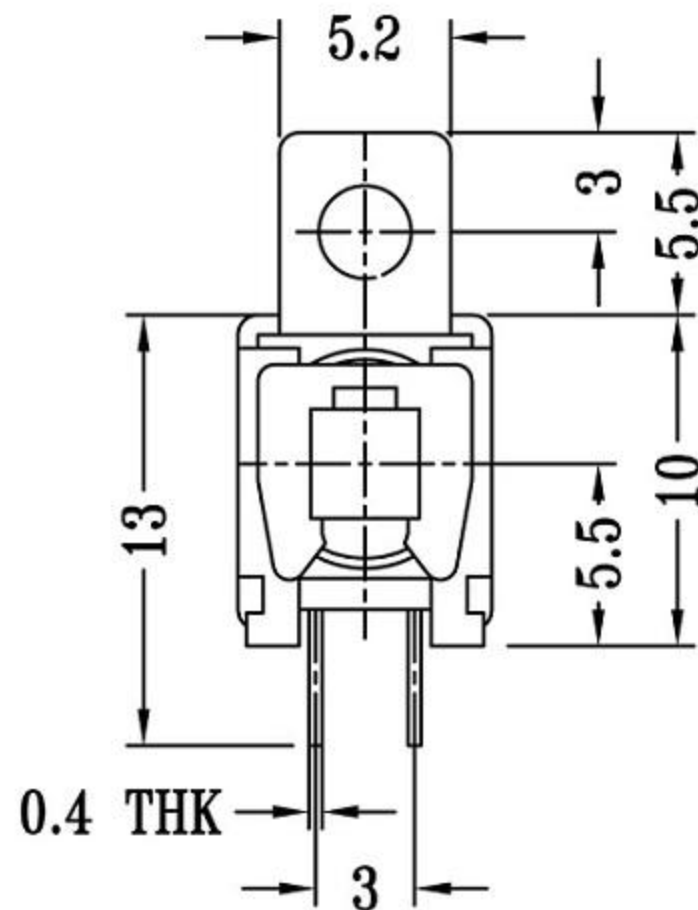
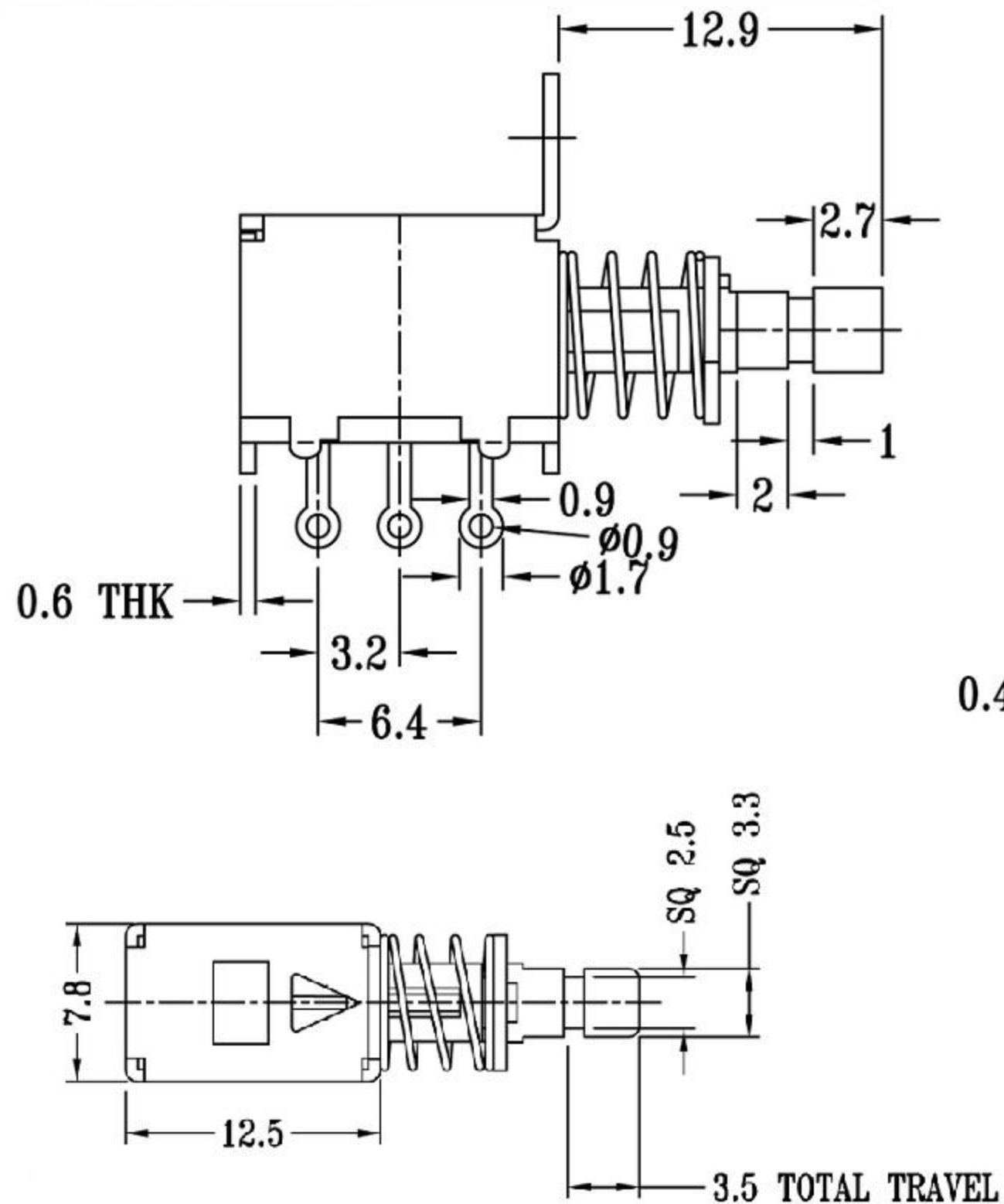
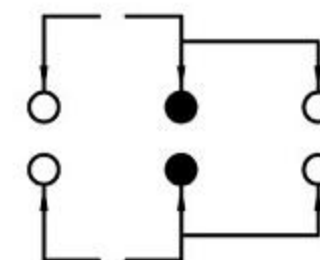


CAD FILE:



P.C.B LAYOUT
BOTTOM VIEW



SCHEMATIC (NON-SHORTING)

按键开关技术参数:

1. 额定负荷: DC 30V 50V 0.1A 0.5A
2. 接触阻抗: $\leq 50m\Omega$
3. 绝缘阻抗: DC 250V $\geq 100m\Omega$
4. 耐焊温度: $250 \pm 5^\circ$ 5s
5. 使用寿命: 100,000 cycles
6. 使用温度: -25°C to 80°C
7. 使用湿度: $\leq 85\%$ RH
8. 操作力: $240gf \pm 80gf$
9. 功能选择: 自锁/无锁
10. 按压力可定制

NO.	PARTS	MATERIALS	Q'TY	FINISH	TOLERANCE UNLESS SPECIFIED		TITLE : PUSH SWITCH		UNIT : mm	DRWG NO.:		
8					WITHIN 1.5mm : $\pm 0.1mm$	A	2012-11-06			初版		
7					OVER 1.5mm : $\pm 0.2mm$	ISSUE	DATE			DESCRIPTIONS OF REVISION		
6	SPRING	STEEL WIRE	1	NATURAL						APPD.		
5	CONTACT CLIP	PBS C5210R-EH	2	Ag CLAD						APPD.		
4	BASE	PHENOLIC RESIN	1	NATURAL						APPD.		
3	TERMINAL	BRASS STRIP	6	Ag PLATED OVER Ni PLATED						APPD.		
2	FRAME	Electrolytic strip	1	NATURAL						APPD.		
1	KNOB	PC	1	BLACK						APPD.		
					MODEL:			SCALE: 2:1				
								东莞市高迪电子有限公司				
									DWN.		2012-11-06	
									CHK'D		2012-11-06	
									APPD.		2012-11-06	