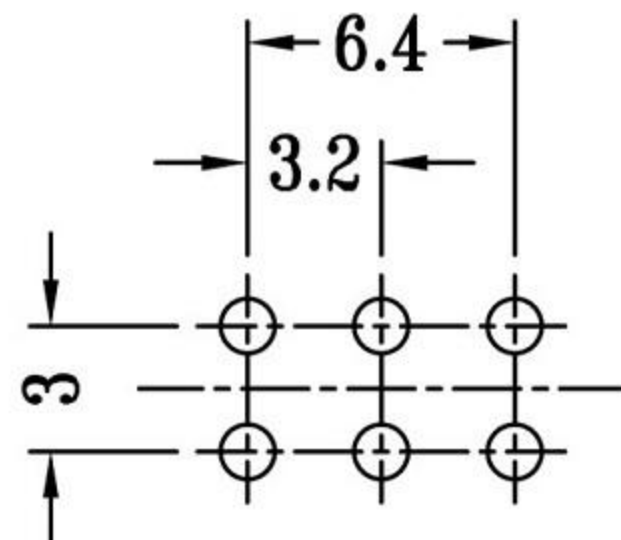
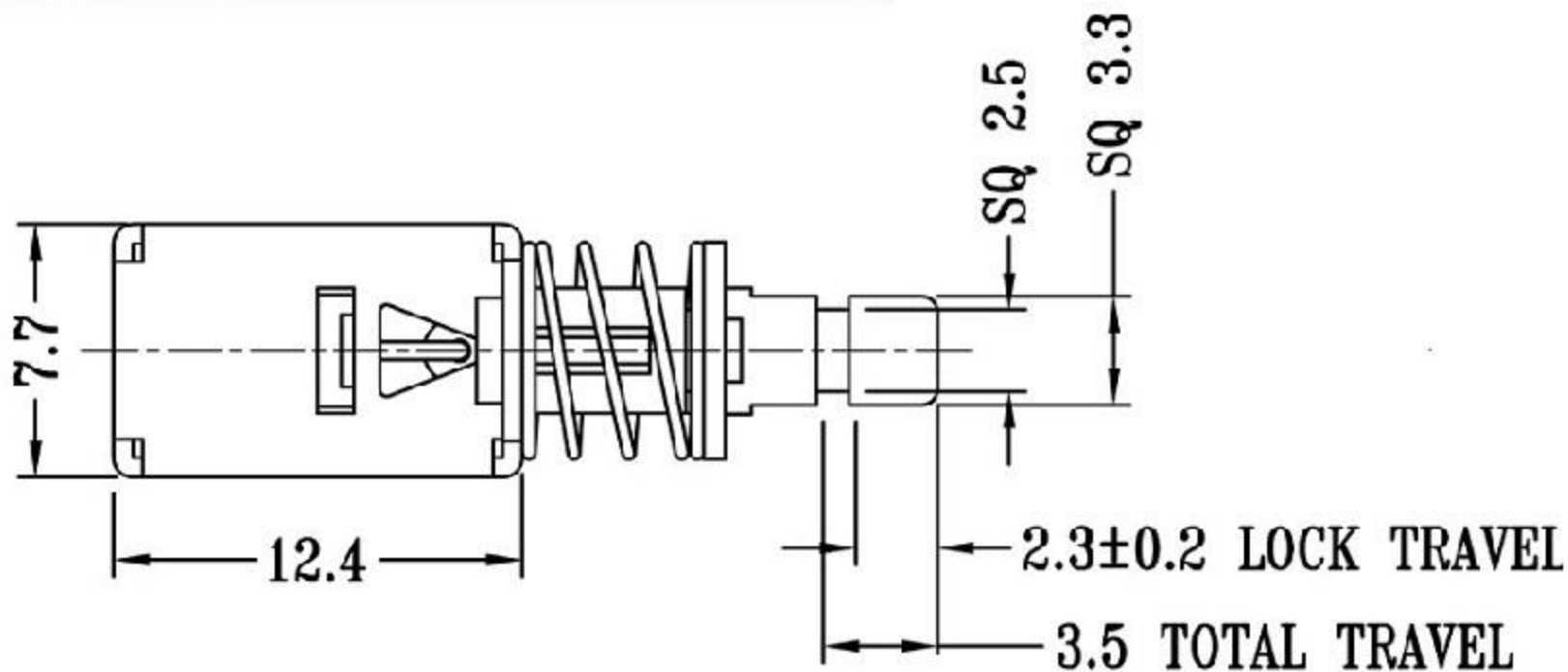
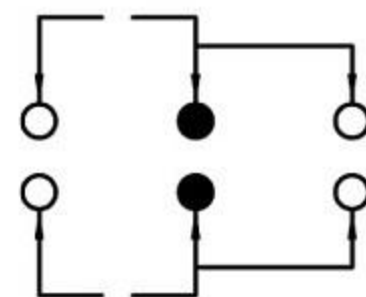


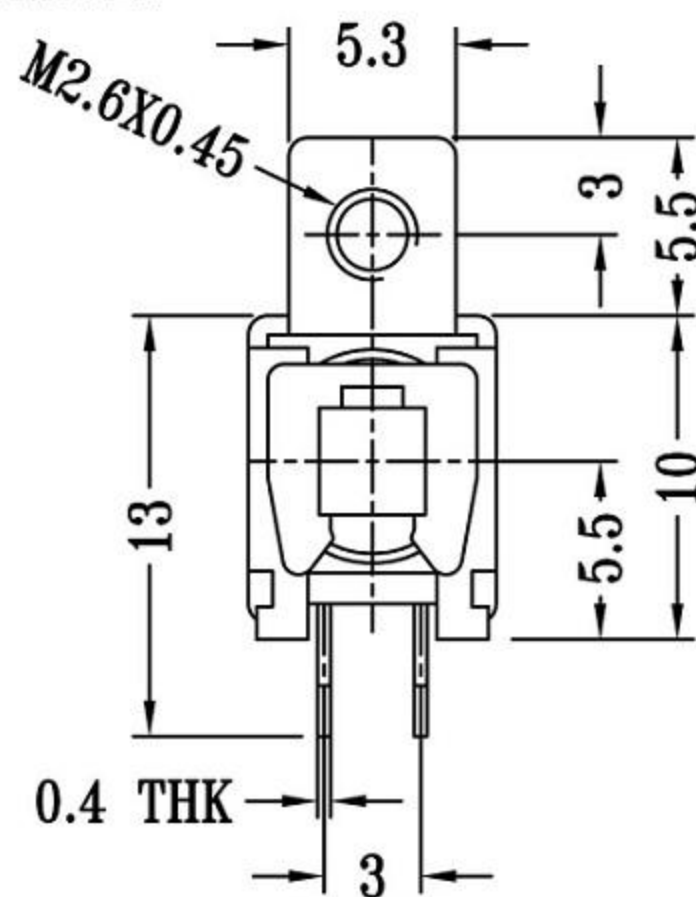
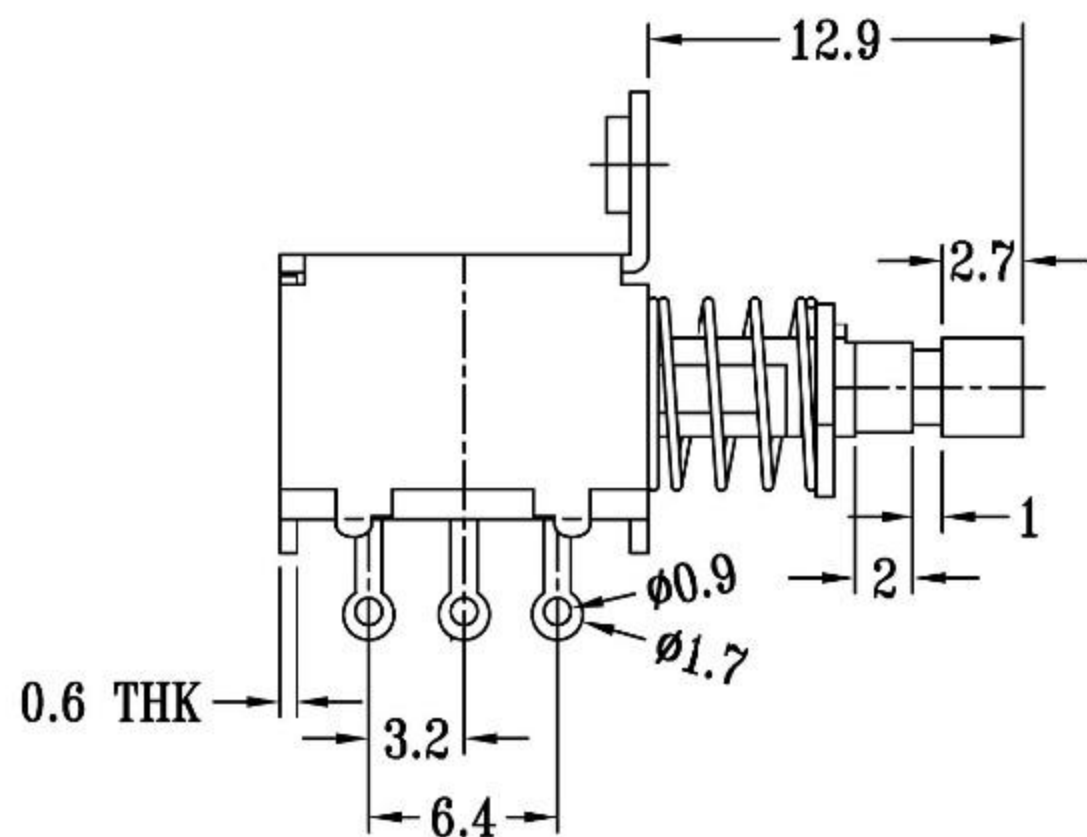
CAD FILE:



P.C.B LAYOUT
BOTTOM VIEW



SCHEMATIC (NON-SHORTING)



按键开关技术参数:

1. 额定负荷: DC 30V 50V 0.1A 0.5A
2. 接触阻抗: ≤50mΩ
3. 绝缘阻抗: DC 250V ≥100mΩ
4. 耐焊温度: 250±5° 5s
5. 使用寿命: 100,000 cycles
6. 使用温度: -25 °C to 80 °C
7. 使用湿度: ≤85% RH
8. 操作力: 240gf ±80gf
9. 功能选择: 自锁/无锁
10. 按压力可定制

NO.	PARTS	MATERIALS	Q'TY	FINISH	TOLERANCE UNLESS SPECIFIED		TITLE : PUSH SWITCH		UNIT : mm	DRWG NO.:		
8					WITHIN 1.5mm : ±0.1mm	A	2012-11-06			初版		
7					OVER 1.5mm : ±0.2mm	ISSUE	DATE		DESCRIPTIONS OF REVISION			
6	SPRING	STEEL WIRE	1	NATURAL				SCALE: 2:1				
5	CONTACT CLIP	PBS C5210R-EH	2	Ag CLAD					DWN.		2012-11-06	
4	BASE	PHENOLIC RESIN	1	NATURAL					CHK'D		2012-11-06	
3	TERMINAL	BRASS STRIP	6	Ag PLATED OVER Ni PLATED					APPD.		2012-11-06	
2	FRAME	Electrolytic strip	1	NATURAL				东莞市高迪电子有限公司				
1	KNOB	PC	1	BLACK								