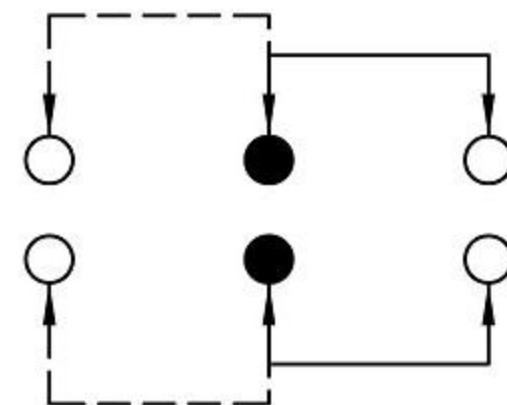
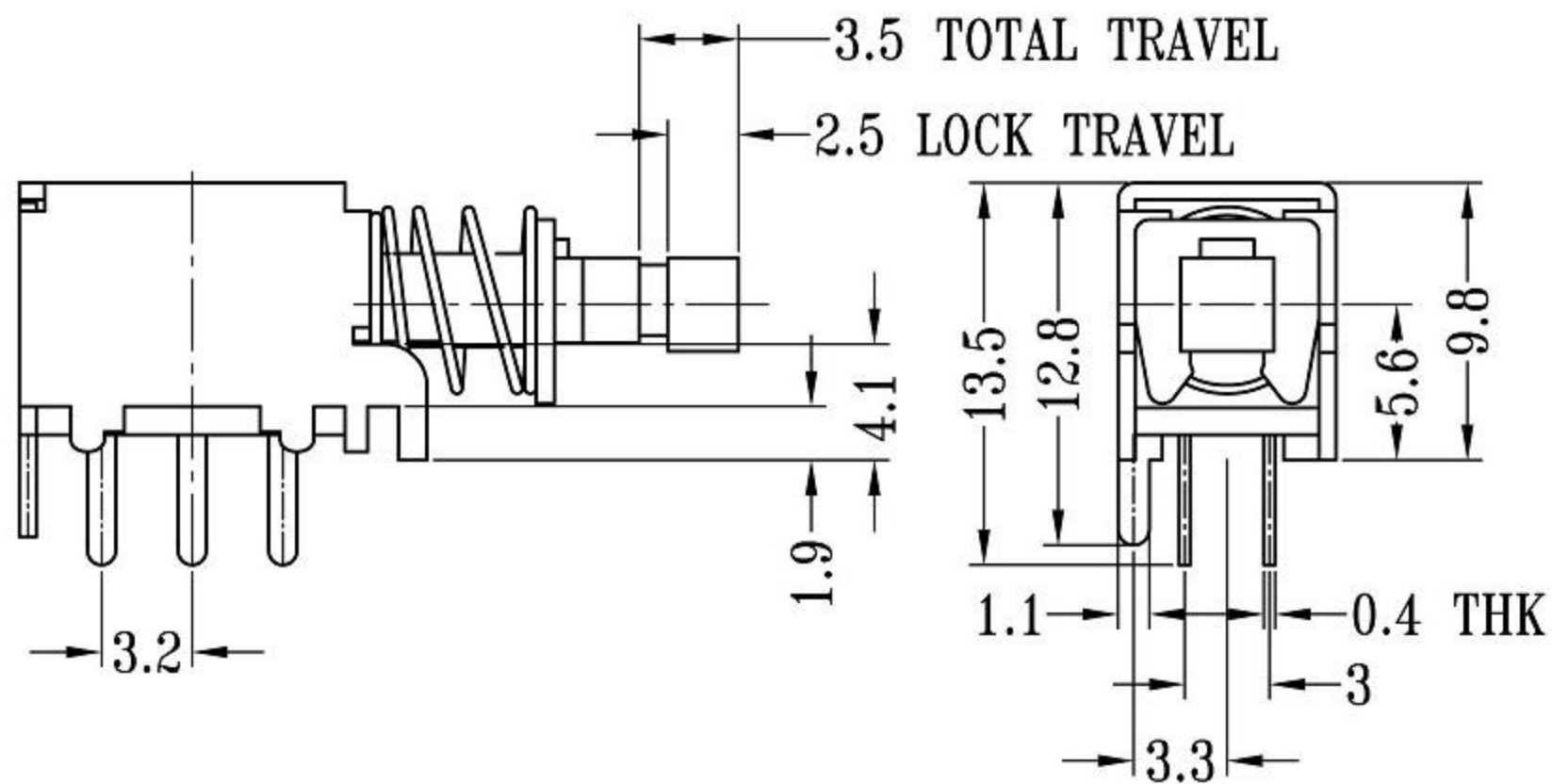
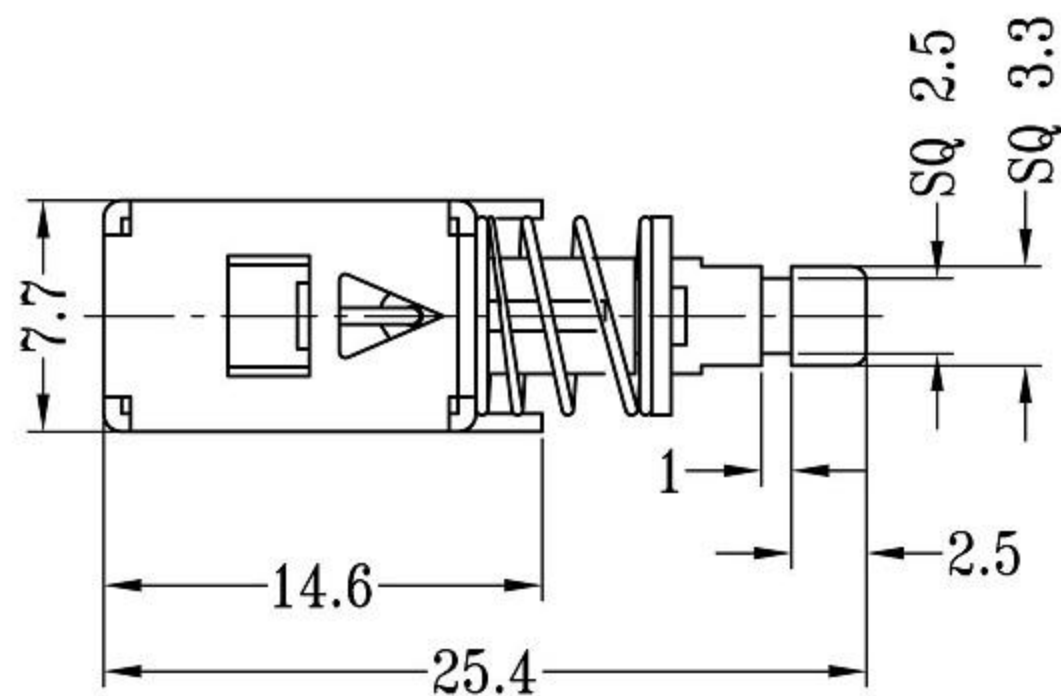


CAD FILE:



SCHEMATIC (NON-SHORTING)

按键开关技术参数:

1. 额定负荷: DC 30V 50V 0.1A 0.5A
2. 接触阻抗:  $\leq 50m\Omega$
3. 绝缘阻抗: DC 250V  $\geq 100m\Omega$
4. 耐焊温度:  $250 \pm 5^\circ$  5s
5. 使用寿命: 100,000 cycles
6. 使用温度:  $-25^\circ\text{C}$  to  $80^\circ\text{C}$
7. 使用湿度:  $\leq 85\%$  RH
8. 操作力: 240gf  $\pm 80$ gf
9. 功能选择: 自锁/无锁
10. 按压力可定制

| NO. | PARTS        | MATERIALS          | Q'TY | FINISH                   | TOLERANCE UNLESS SPECIFIED  |       |            |                          |           |            |
|-----|--------------|--------------------|------|--------------------------|-----------------------------|-------|------------|--------------------------|-----------|------------|
| 8   |              |                    |      |                          |                             |       |            |                          |           |            |
| 7   |              |                    |      |                          |                             |       |            |                          |           |            |
| 6   | SPRING       | STEEL WIRE         | 1    | NATURAL                  | WITHIN 1.5mm : $\pm 0.1$ mm | A     | 2012-11-06 | 初版                       |           |            |
| 5   | CONTACT CLIP | PBS C5210R-EH      | 2    | Ag CLAD                  | OVER 1.5mm : $\pm 0.2$ mm   | ISSUE | DATE       | DESCRIPTIONS OF REVISION |           |            |
| 4   | BASE         | PHENOLIC RESIN     | 1    | NATURAL                  | TITLE : PUSH SWITCH         |       |            | UNIT : mm                | DRWG NO.: |            |
| 3   | TERMINAL     | BRASS STRIP        | 6    | Ag PLATED OVER Ni PLATED | MODEL:                      |       |            | SCALE: 2:1               |           |            |
| 2   | FRAME        | Electrolytic strip | 1    | NATURAL                  | <b>东莞市高迪电子有限公司</b>          |       |            | DWN.                     |           | 2012-11-06 |
| 1   | KNOB         | PC                 | 1    | BLACK                    |                             |       |            | CHK'D                    |           | 2012-11-06 |
|     |              |                    |      |                          |                             |       |            | APPD.                    |           | 2012-11-06 |