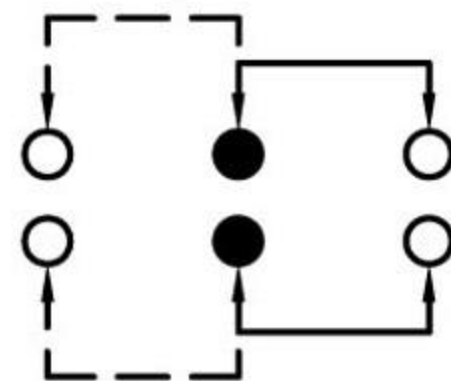
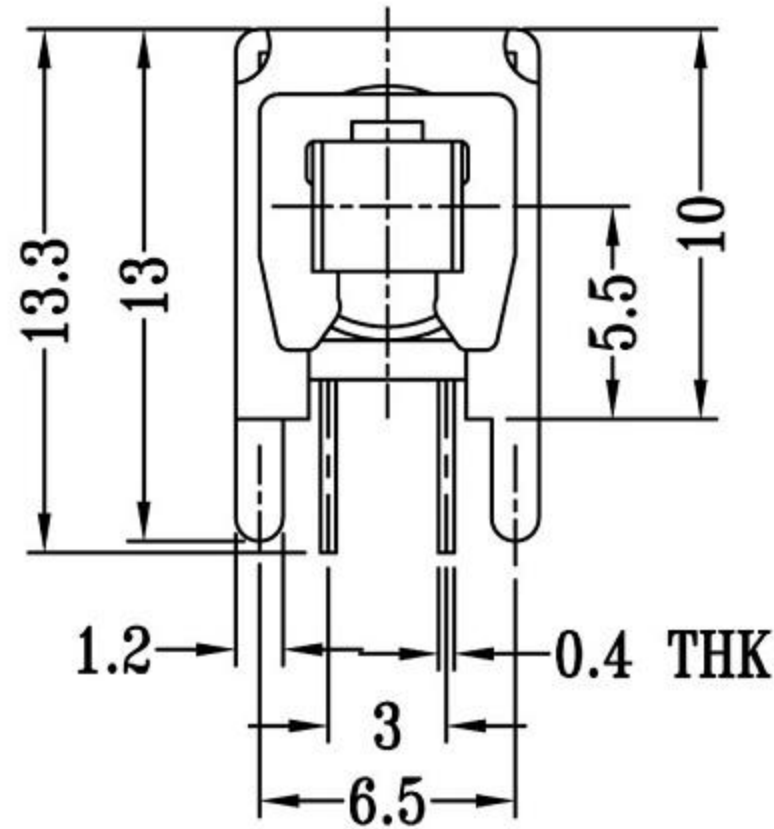
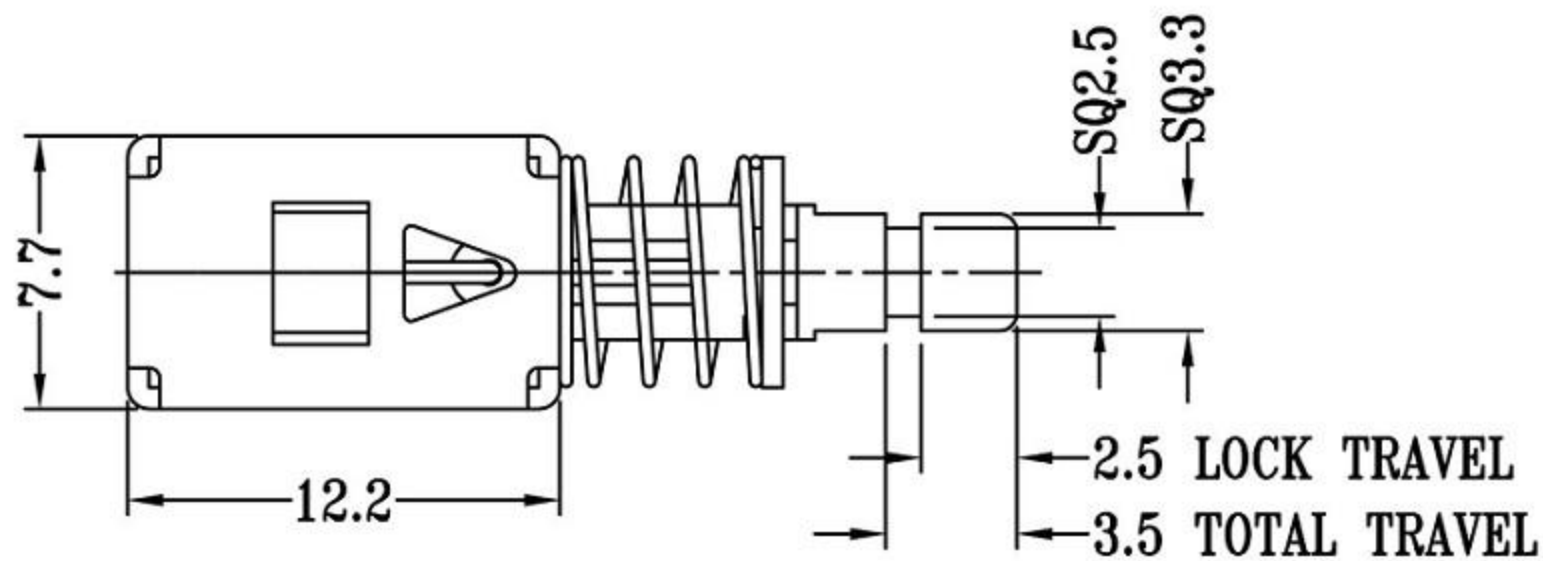
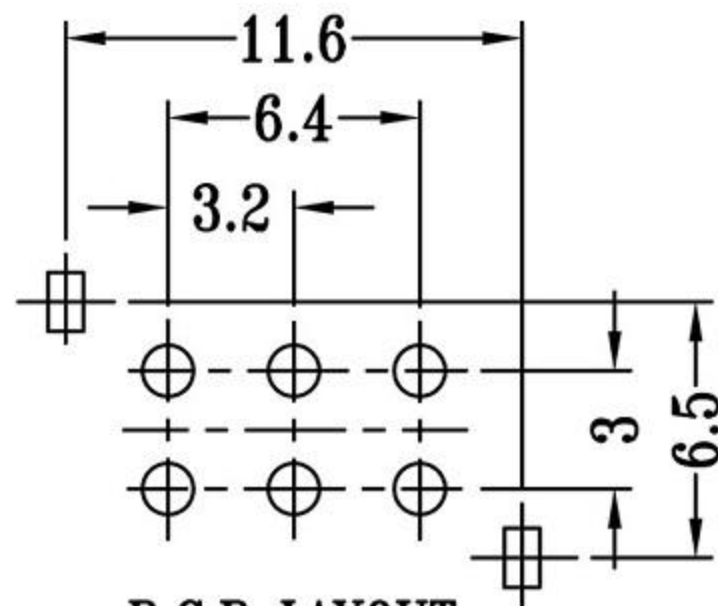
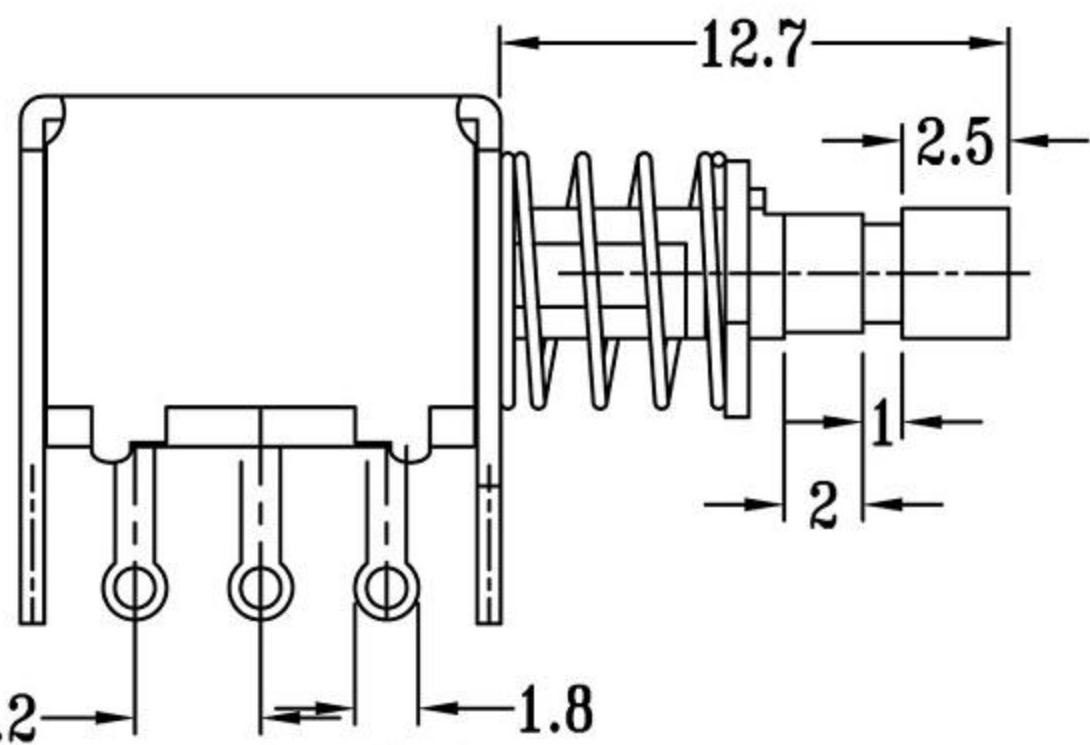


CAD FILE:



**SCHEMATIC (NON-SHORTING)**



**P.C.B LAYOUT  
BOTTOM VIEW**

- 按键开关技术参数:
1. 额定负荷: DC 30V 50V 0.1A 0.5A
  2. 接触阻抗:  $\leq 50m\Omega$
  3. 绝缘阻抗: DC 250V  $\geq 100m\Omega$
  4. 耐焊温度:  $250 \pm 5^\circ$  5s
  5. 使用寿命: 100,000 cycles
  6. 使用温度:  $-25^\circ\text{C}$  to  $80^\circ\text{C}$
  7. 使用湿度:  $\leq 85\%$  RH
  8. 操作力:  $240gf \pm 80gf$
  9. 功能选择: 自锁/无锁
  10. 按压力可定制

NO.	PARTS	MATERIALS	Q'TY	FINISH	TOLERANCE UNLESS SPECIFIED			DESCRIPTIONS OF REVISION		
8					WITHIN 1.5mm : $\pm 0.1mm$	A	2012-11-06	初版		
7					OVER 1.5mm : $\pm 0.2mm$	ISSUE	DATE	APPD.		
6	SPRING	STEEL WIRE	1	NATURAL	TITLE : PUSH SWITCH			UNIT : mm		
5	CONTACT CLIP	PBS C5210R-EH	2	Ag CLAD						
4	BASE	PHENOLIC RESIN	1	NATURAL	MODEL:			SCALE: 2:1		
3	TERMINAL	BRASS STRIP	6	Ag PLATED OVER Ni PLATED						
2	FRAME	Electrolytic strip	1	NATURAL	CHK'D			2012-11-06		
1	KNOB	PC	1	BLACK						
					东莞市高迪电子有限公司					