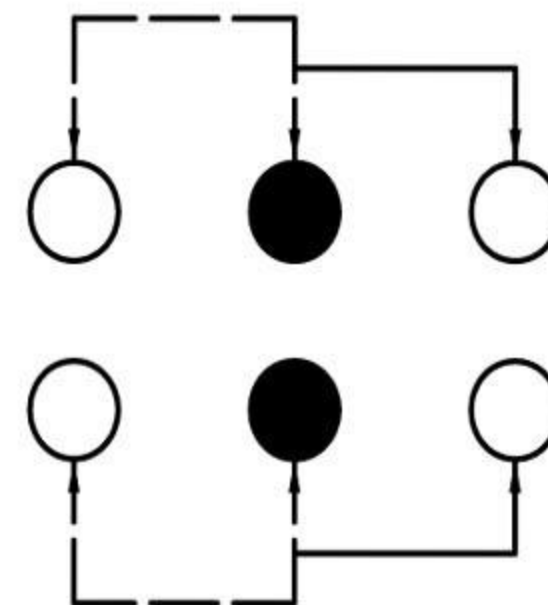
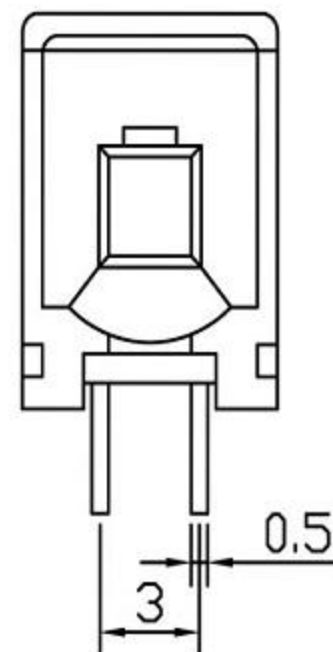
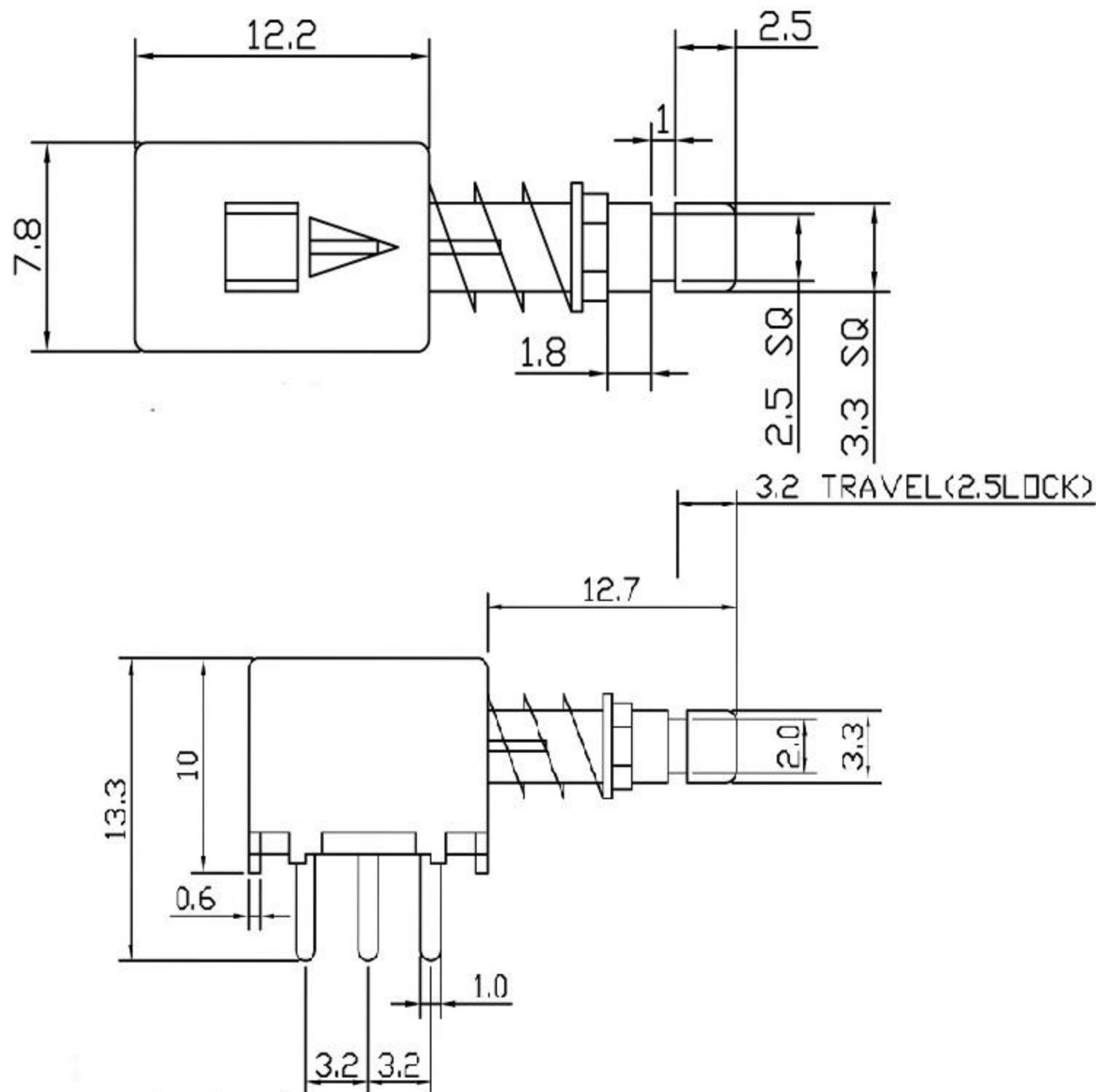




CAD FILE:



按键开关技术参数:

1. 额定负荷: DC 30V 50V 0.1A 0.5A
2. 接触阻抗:  $\leq 50m\Omega$
3. 绝缘阻抗: DC 250V  $\geq 100m\Omega$
4. 耐焊温度:  $250 \pm 5^\circ$  5s
5. 使用寿命: 100,000 cycles
6. 使用温度:  $-25^\circ\text{C}$  to  $80^\circ\text{C}$
7. 使用湿度:  $\leq 85\%$  RH
8. 操作力:  $240gf \pm 80gf$
9. 功能选择: 自锁/无锁
10. 按压力可定制

NO.	PARTS	MATERIALS	Q'TY	FINISH	TOLERANCE UNLESS SPECIFIED			DESCRIPTIONS OF REVISION		
8										
7										
6	SPRING	STEEL WIRE	1	NATURAL	WITHIN 1.5mm : $\pm 0.1mm$	A	2012-11-06	初版		
5	CONTACT CLIP	PBS C5210R-EH	2	Ag CLAD	OVER 1.5mm : $\pm 0.2mm$	ISSUE	DATE			APPD.
4	BASE	PHENOLIC RESIN	1	NATURAL	TITLE : PUSH SWITCH			UNIT : mm	DRWG NO.:	
3	TERMINAL	BRASS STRIP	6	Ag PLATED OVER Ni PLATED	MODEL:			SCALE: 2:1		
2	FRAME	Electrolytic strip	1	NATURAL	<b>东莞市高迪电子有限公司</b>			DWN.		2012-11-06
1	KNOB	PC	1	BLACK				CHK'D		2012-11-06
								APPD.		2012-11-06