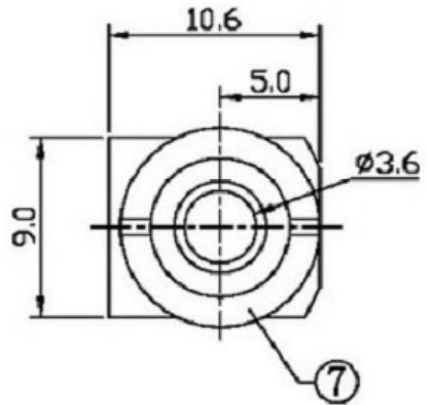
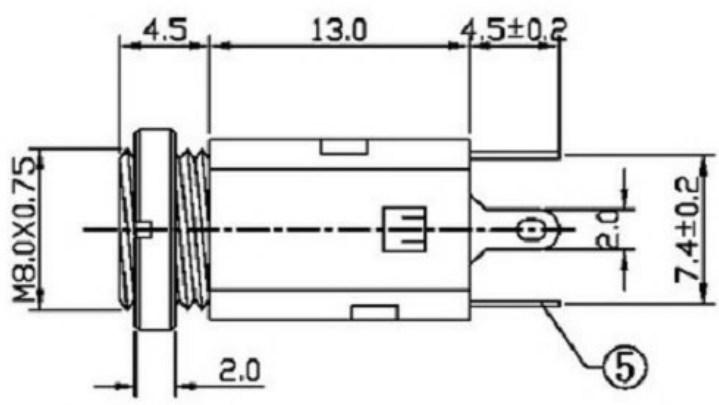
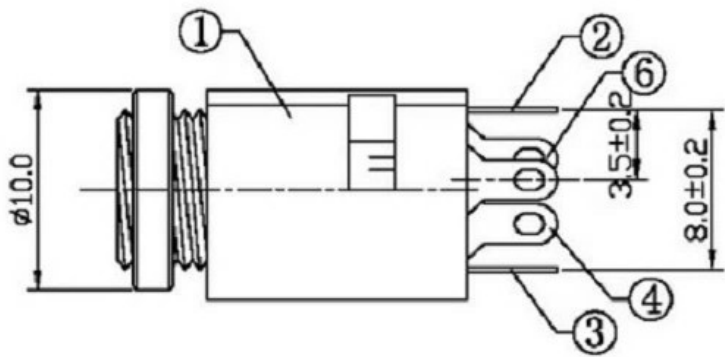
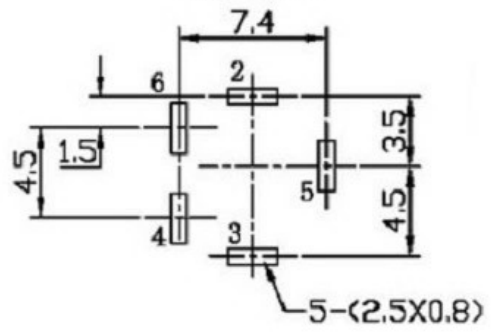


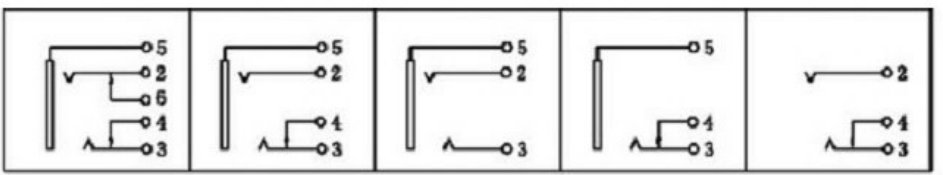
REV.	ECN NO.	DESCRIPTION	DESIGN	DATE
A		INITIAL	Kai	2018.05.17



P. C. B LAYOUT
TOP VIEW



SCHEMATIC



07	Copper sleeve (nickel plating); Pling gold-Flash;Housing Black (colour)
06	Copper sleeve (nickel plating); Pling gold-Flash;Housing white (colour)
05	Copper sleeve (sand blasting / chemical nickel); Pling gold-Flash;Housing Black (colour)
04	Copper sleeve (sand blasting / chemical nickel); Pling gold-Flash;Housing white (colour)
03	Stainless steel (sandblast); Pling gold-Flash;Housing white (colour)
02	Stainless steel (sandblast); Pling gold 4u";Housing green-OPPO (colour)
01	Aluminium sleeve (sandblast / oxidation); Pling gold-Flash;Housing white (colour)
ITEM	DESCRIPTION

UNLESS OTHERWISE SPECIFIED TOLERANCES

东莞市高迪电子有限公司

DECIMALS:	ANGLES:	DWG NO.	/	PART NAME:
DIM	TOL	DIM	TOL	PHONE JACK
X.	±0.30	X.	±2'	PART NO.
X.X	±0.25	X.X	±1'	
X.XX	±0.20	X.XX	±1'	
X.XXX	±0.10	X.XXX	±1'	

DESIGN: /

CHECK: /

APPROVED: /

REV.	UNIT:	SHEET:	
A	mm	1/1	

由 Autodesk 教育版产品制作

由 Autodesk 教育版产品制作