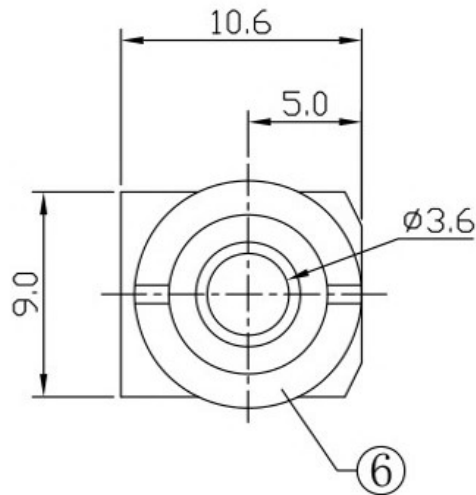
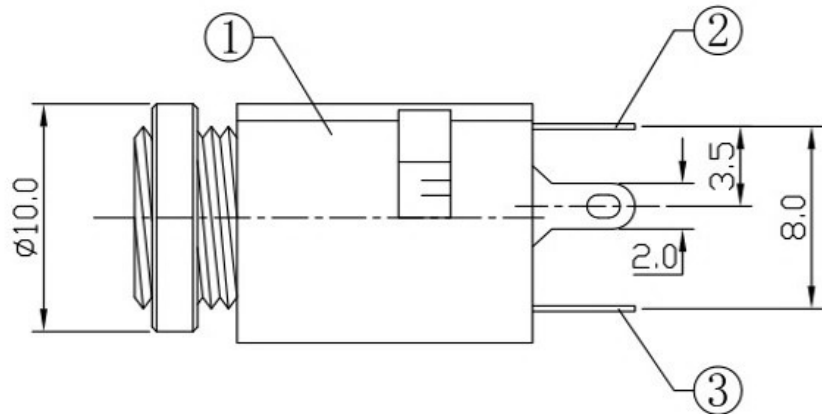
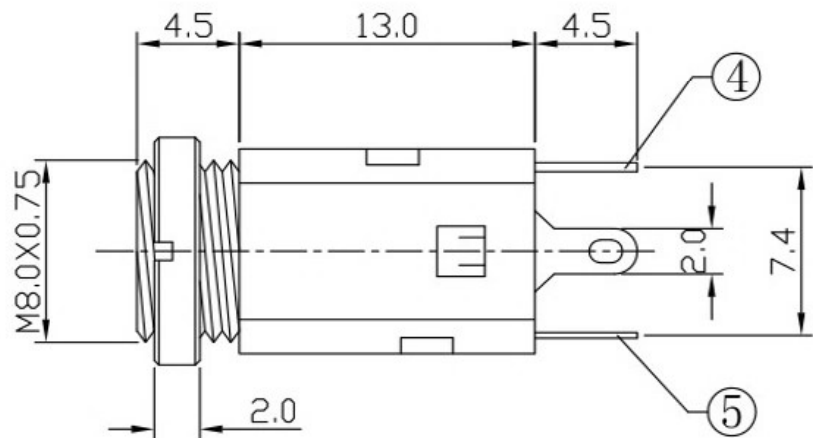
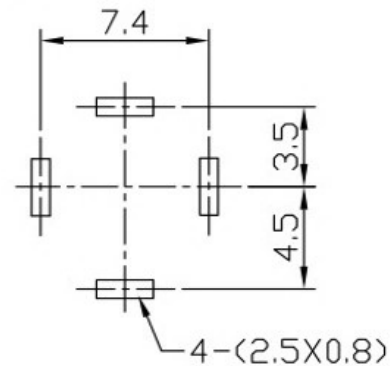


REV.	ECN NO.	DESCRIPTION	DESIGN	DATE
A		INITIAL	Kai	2018.05.17

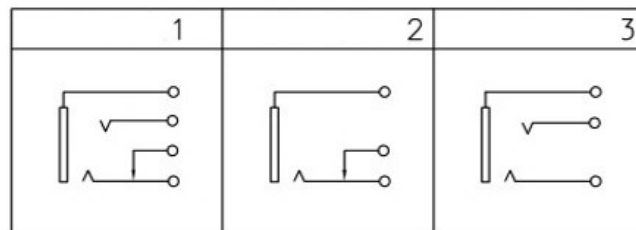


线路板开孔尺寸

P.C.B
LAYOUT



按点示意图
SCHEMATIC



07	Copper sleeve (nickel plating); Pling gold-Flash;Housing Black (colour)
06	Copper sleeve (nickel plating); Pling gold-Flash;Housing white (colour)
05	Copper sleeve (sand blasting / chemical nickel); Pling gold-Flash;Housing Black (colour)
04	Copper sleeve (sand blasting / chemical nickel); Pling gold-Flash;Housing white (colour)
03	Stainless steel (sandblast); Pling gold-Flash;Housing white (colour)
02	Stainless steel (sandblast); Pling gold 4u";Housing green-OPPO (colour)
01	Aluminium sleeve (sandblast / oxidation); Pling gold-Flash;Housing white (colour)
ITEM	DESCRIPTION

UNLESS OTHERWISE SPECIFIED TOLERANCES

东莞市高迪电子有限公司

DECIMALS:		ANGLES:	
DIM	TOL	DIM	TOL
X.	±0.30	X.	±2'
X.X	±0.25	X.X	±1'
X.XX	±0.20	X.XX	±1'
X.XXX	±0.10	X.XXX	±1'

DWG NO.	/
DESIGN:	
CHECK:	
APPROVED	

PART NAME: PHONE JACK	
PART NO.	
REV.	UNIT: SHEET:
A	mm 1/1