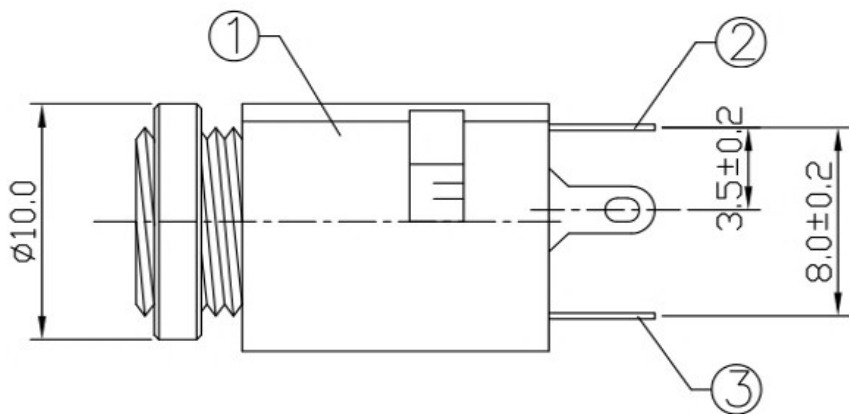
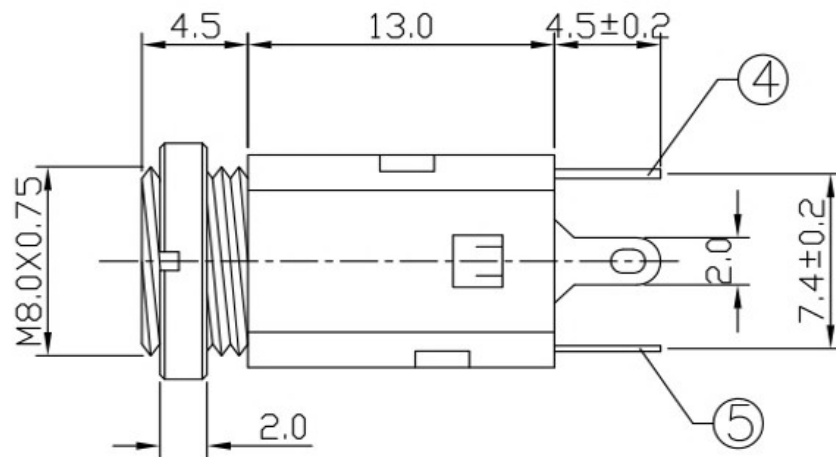
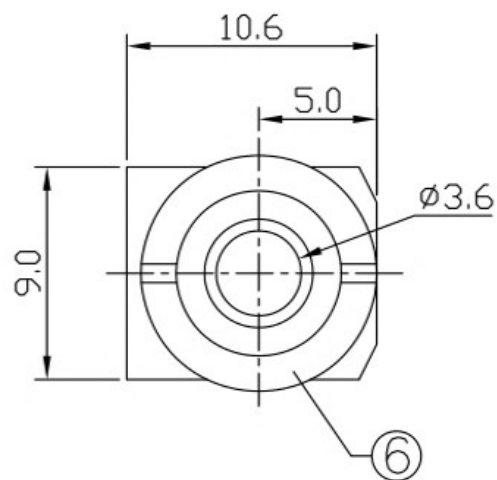
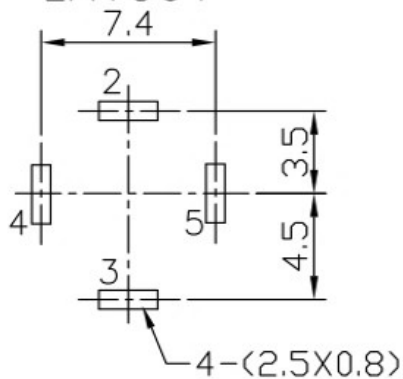


REV.	ECN NO.	DESCRIPTION	DESIGN	DATE
A		INITIAL	Kai	2018.05.17

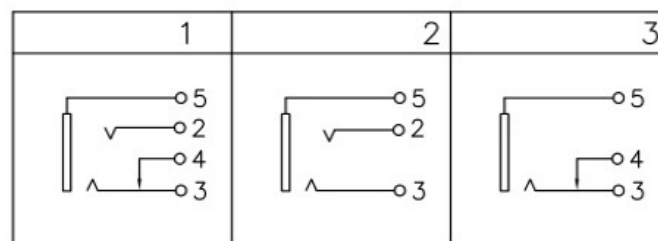


线路板开孔尺寸

P.C.B LAYOUT



按点示意图
SCHEMATIC



技术要求:

1. 额定电负荷 : DC 50V 1A;
2. 接触电阻: $\leq 30m\Omega$;
3. 绝缘电阻: $\geq 100M\Omega$ (DC250V);
4. 耐压: 500VAC ;
5. 插拔力: 3-30N;

07	Copper sleeve (nickel plating); Pling gold-Flash;Housing Black (colour)
06	Copper sleeve (nickel plating); Pling gold-Flash;Housing white (colour)
05	Copper sleeve (sand blasting / chemical nickel); Pling gold-Flash;Housing Black (colour)
04	Copper sleeve (sand blasting / chemical nickel); Pling gold-Flash;Housing white (colour)
03	Stainless steel (sandblast); Pling gold-Flash;Housing white (colour)
02	Stainless steel (sandblast); Pling gold 4u";Housing green-OPPO (colour)
01	Aluminium sleeve (sandblast / oxidation); Pling gold-Flash;Housing white (colour)
ITEM	DESCRIPTION

UNLESS OTHERWISE SPECIFIED TOLERANCES

DECIMALS:		ANGLES:	
DIM	TOL	DIM	TOL
X.	± 0.30	X.	$\pm 2'$
X.X	± 0.25	X.X	$\pm 1'$
X.XX	± 0.20	X.XX	$\pm 0.5'$
X.XXX	± 0.10	X.XXX	$\pm 0.25'$

东莞市高迪电子有限公司

DWG NO.	/
DESIGN:	
CHECK:	
APPROVED	

PART NAME: PHONE JACK		
PART NO.		
REV.	UNIT:	SHEET:
A	mm	1/1