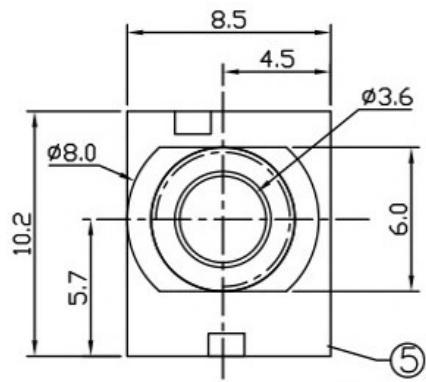
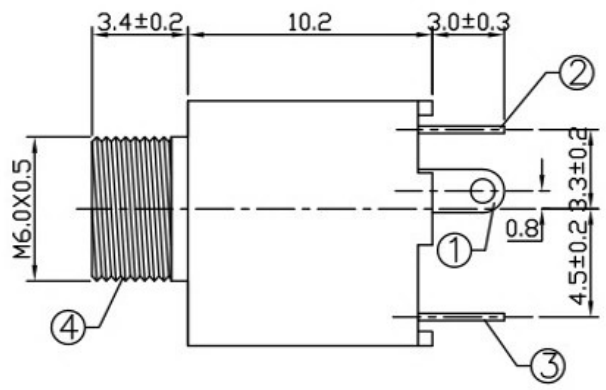
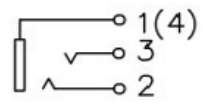


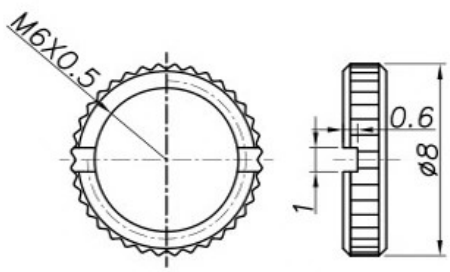
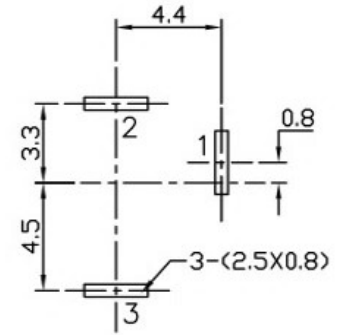
| | | | | |
|------|---------|-------------|--------|------------|
| REV. | ECN NO. | DESCRIPTION | DESIGN | DATE |
| A | | INITIAL | Kai | 2018.05.17 |



SCHEMATIC



P.C.B
LAYOUT
VIEW



NUT

| | |
|------|---|
| 07 | Copper sleeve (nickel plating); Pling gold-Flash;Housing Black (colour) |
| 06 | Copper sleeve (nickel plating); Pling gold-Flash;Housing white (colour) |
| 05 | Copper sleeve (sand blasting / chemical nickel); Pling gold-Flash;Housing Black (colour) |
| 04 | Copper sleeve (sand blasting / chemical nickel); Pling gold-Flash;Housing white (colour) |
| 03 | Stainless steel (sandblast); Pling gold-Flash;Housing white (colour) |
| 02 | Stainless steel (sandblast); Pling gold 4u";Housing green-OPPO (colour) |
| 01 | Aluminium sleeve (sandblast / oxidation); Pling gold-Flash;Housing white (colour) |
| ITEM | DESCRIPTION |

| | | | |
|---------------------------------------|----------|-------------|--------------------------|
| UNLESS OTHERWISE SPECIFIED TOLERANCES | | 东莞市高迪电子有限公司 | |
| DECIMALS: | ANGLES: | DWG NO. / | PART NAME: PHONE JACK |
| DIM TOL | DIM TOL | DESIGN: | PART NO. |
| X. ±0.30 | X. ±2' | CHECK: | |
| X.X ±0.25 | X.X ±1' | APPROVED | |
| X.XX ±0.20 | X.XX | | |
| X.XXX ±0.10 | X.XXX | | |
| REV. A | UNIT: mm | SHEET: 1/1 | ☉ |

由 Autodesk 教育版产品制作

由 Autodesk 教育版产品制作