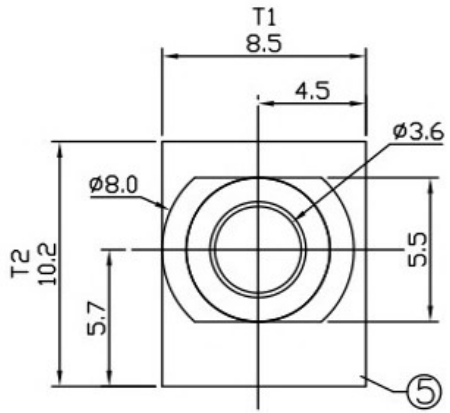
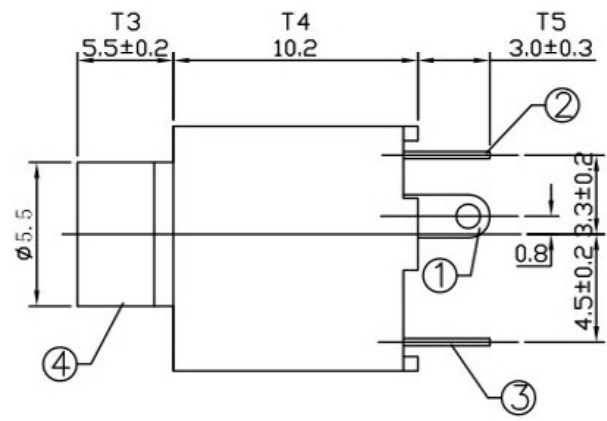
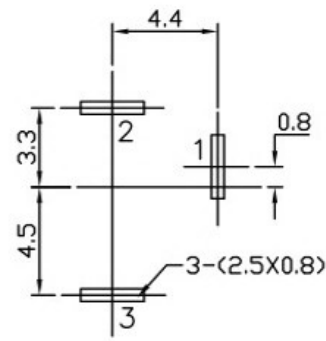


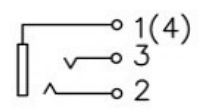
REV.	ECN NO.	DESCRIPTION	DESIGN	DATE
A		INITIAL	Kai	2018.05.17



P.C.B LAYOUT VIEW



SCHEMATIC



07	Copper sleeve (nickel plating); Pling gold-Flash;Housing Black (colour)
06	Copper sleeve (nickel plating); Pling gold-Flash;Housing white (colour)
05	Copper sleeve (sand blasting / chemical nickel); Pling gold-Flash;Housing Black (colour)
04	Copper sleeve (sand blasting / chemical nickel); Pling gold-Flash;Housing white (colour)
03	Stainless steel (sandblast); Pling gold-Flash;Housing white (colour)
02	Stainless steel (sandblast); Pling gold 4u";Housing green-OPPO (colour)
01	Aluminium sleeve (sandblast / oxidation); Pling gold-Flash;Housing white (colour)
ITEM	DESCRIPTION

UNLESS OTHERWISE SPECIFIED TOLERANCES		东莞市高迪电子有限公司	
DECIMALS:	ANGLES:	DWG NO. /	PART NAME: PHONE JACK
DIM	TOL	DESIGN:	PART NO.
X.	±0.30	CHECK:	
X.X	±0.25	APPROVED	
X.XX	±0.20		
X.XXX	±0.10		
		REV. A	UNIT: mm
		SHEET: 1/1	

由 Autodesk 教育版产品制作

由 Autodesk 教育版产品制作