

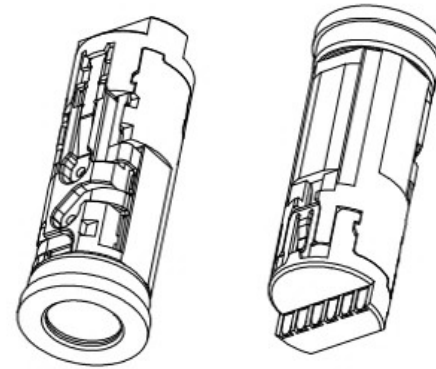
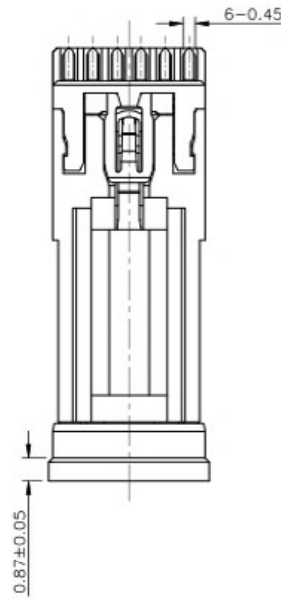
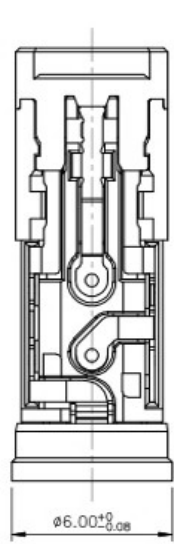
PROPRIETARY INFORMATION  
COMPANY CONFIDENTIAL

REV.	ECN. NO.	DESCRIPTION	ENG	DATE
A		INITIAL	Lucky	10/17/18'

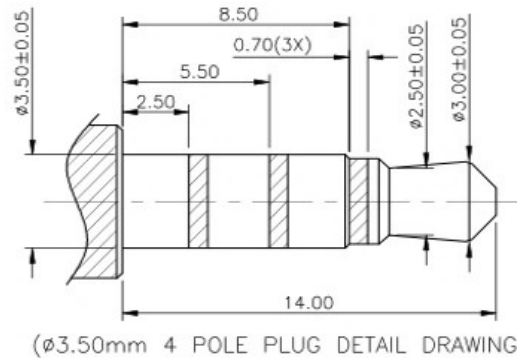
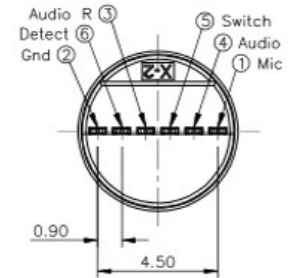
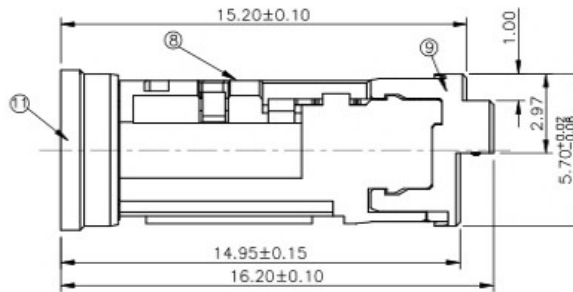
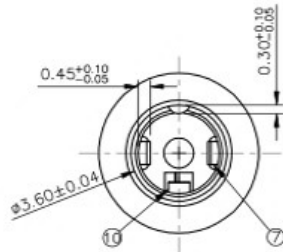
技术要求:

1. 电气及机械特性要求如下:

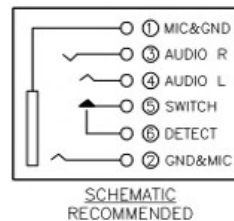
- 1.1 接触阻抗: 50mΩ以下;
- 1.2 绝缘阻抗: 100MΩ以上;
- 1.3 耐电压: 500V AC以上;
- 1.4 耐插拔: 5,000次以上;
- 1.5 插入力: 0.3~3.0kgf(3~30N);
- 1.6 拔出力: 0.3~3.0kgf(3~30N);



3D VIEW



(ø3.50mm 4 POLE PLUG DETAIL DRAWING)



SCHEMATIC  
RECOMMENDED

03	PJ35B024-F06G1BA-C	不锈钢(喷砂180目+钝化), 端子半金镀4μ, 主体红色	1	PCS
02	PJ35B024-F06G1BA-B	不锈钢(喷砂180目+钝化), 端子半金镀4μ, 主体蓝色	1	PCS
01	PJ35B024-F06G1BA-A	铝壳(喷砂/氧化), 端子半金镀3μ, 主体白色	1	PCS

01	CONTACT A	COPPER ALLOY	1	PCS
02	CONTACT B	COPPER ALLOY	1	PCS
03	CONTACT C	COPPER ALLOY	1	PCS
04	CONTACT E	COPPER ALLOY	1	PCS
05	CONTACT F	COPPER ALLOY	1	PCS
06	CONTACT G	COPPER ALLOY	1	PCS
07	CONTACT D	COPPER ALLOY	1	PCS
08	HOUSING		1	PCS
09	COVER	HIGH TEMPERATURE PLASTIC MATERIAL	1	PCS
10	INSULATOR		1	PCS
11	RING	ALUMINUM ALLOY	1	PCS

## 东莞市高迪电子有限公司

MEASURE POINT: (QP)		DESIGN: Lucky		DATE: 2018/10/17		TITLE:	
QUADRANT POINT (TP)		CHECKED		DATE		ø3.5 四极圆形耳机座焊线式正向插嘴外径6.00mm	
TANGENCY POINT (IP)		APPROVED		DATE		REV.: A SCALE: 1:1 UNIT: mm	
INTERSECTION POINT (IP)		PART NO.		DRAWING NO.		SIZE: A4 SHEET: 1/1	
UNLESS OTHERWISE SPECIFIED, TOLERANCE:							
X. ±0.25							
X.x ±0.20							
X.xx ±0.15							
X.xxx ±0.10							
ANGULAR ±3'							

由 Autodesk 教育版产品制作

由 Autodesk 教育版产品制作