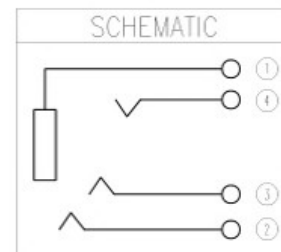
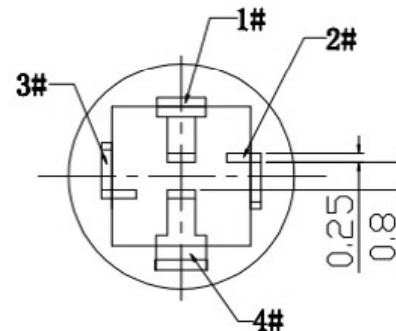
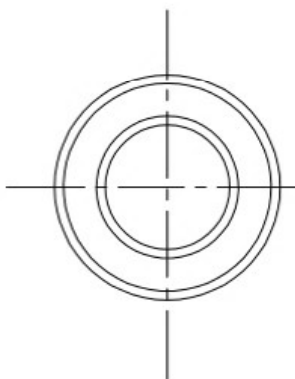
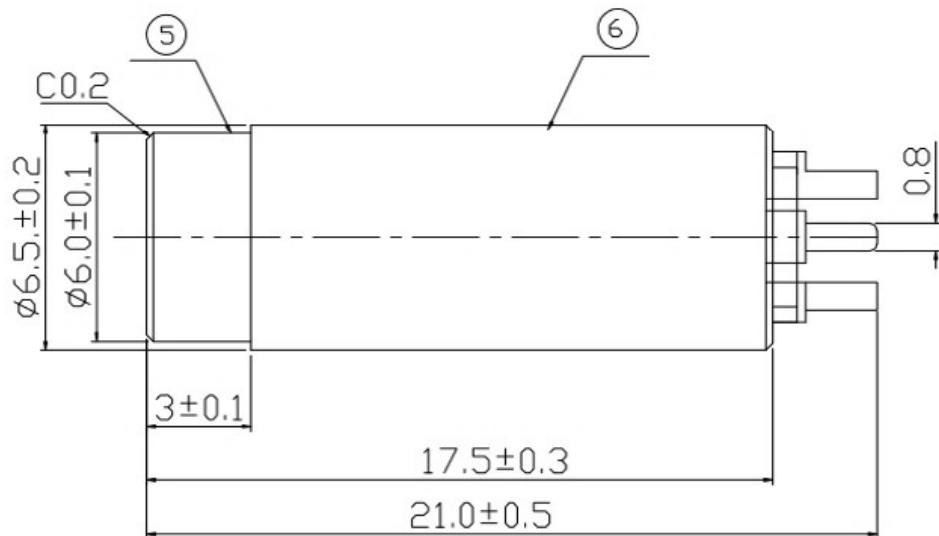
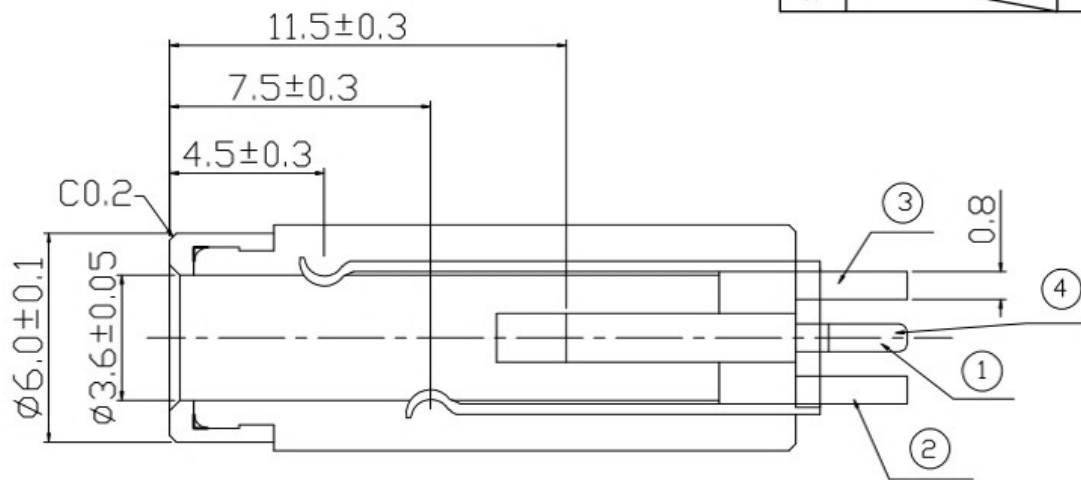


PROPRIETARY INFORMATION
COMPANY CONFIDENTIAL

REV.	ECN. NO.	DESCRIPTION	ENG	DATE
A		INITIAL	Kai	27/10/17



ITEM	NAME	Q'TY	DESCRIPTION	NOTE
6	BUSHING	1	BRASS;NICKEL PLATING OVERALL	
5	TERMINAL 4#	1	PHOSPHOR BRONZE; NICKEL PLATING OVERALL	
4	TERMINAL 3#	1	PHOSPHOR BRONZE; NICKEL PLATING OVERALL	
3	TERMINAL 2#	1	PHOSPHOR BRONZE; NICKEL PLATING OVERALL	
2	TERMINAL 1#	1	PHOSPHOR BRONZE;NICKEL PLATING OVERALL	
1	HOUSING	1	POM COLOR WHITE	

MEASURE POINT:
QUADRANT POINT (QP)
TANGENCY POINT (TP)
INTERSECTION POINT (IP)

UNLESS OTHERWISE SPECIFIED, TOLERANCE:
X. ±0.30
X.x ±0.20
X.xx ±0.15
X.xxx ±0.10
ANGULAR ±3°

东莞市高迪电子有限公司

DESIGN: Kai	DATE 2017/10/07	TITLE:
CHECKED	DATE	Ø3.5mm AUDIO JACK
APPROVED	DATE	
PART NO.	REV.: A	SCALE: 1:1
DRAWING NO.	UNIT: mm	SHEET: 1/1

由 Autodesk 教育版产品制作

由 Autodesk 教育版产品制作