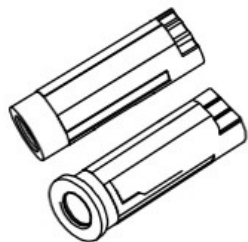
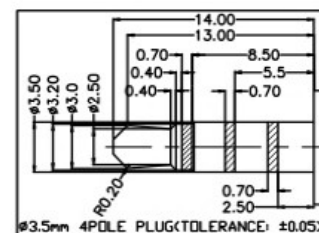
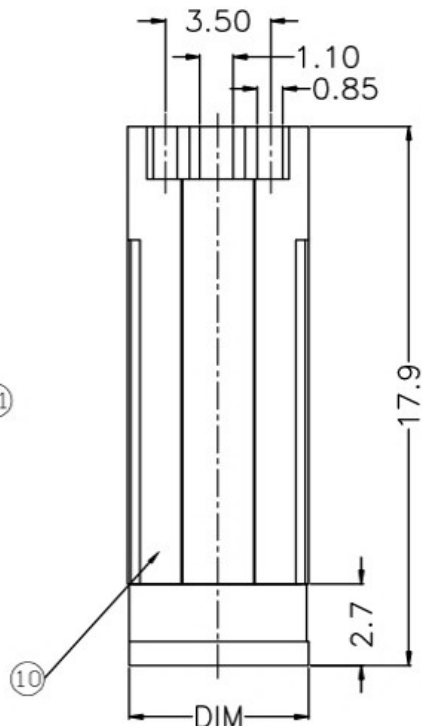
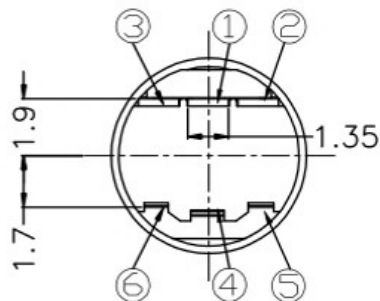


PROPRIETARY INFORMATION
COMPANY CONFIDENTIAL

REV.	ECN. NO.	DESCRIPTION	ENG	DATE
A		INITIAL	Lucky	04/23/18'



3D VIEW



Notes:

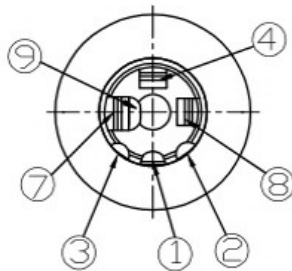
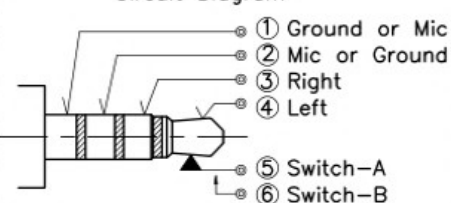
- 1.Current Rating: 12V&1A max.
- 2.Contact Resistance: 30mOhms Max.(intial)
- 3.Insulation Resistance: 100M Ohms Min./500V DC
- 4.Dielectric Withstanding Voltage: 500V AC/1Minute
- 5.Mating Force: 30N Max, Withdrawal Force: 3N Min.
- 6.Durability: 5000 Cycles
- 7.Operating Temperature:-25°C to+85°C

由 Autodesk 教育版产品制作

由 Autodesk 教育版产品制作

Item	Name	Material	Description
12	Sleeve	Copper Alloy	Ni Plated Overall.
11	Cover		White or Black
10	Housing	Thermoplastics	White
9	Separator		White
8	Spring B Contact		Ni Plated Overall.
7	Spring A Contact		
6	Switch B Contact	Copper Alloy	G/F On Contact Area Sn On Solder Tails Ni Plated Overall.
5	Switch A Contact		
4	Left Contact		
3	Right Contact		
2	Mic Contact		
1	Ground Contact		

Circuit Diagram



MEASURE POINT: (QP)
QUADRANT POINT (TP)
TANGENCY POINT (IP)
INTERSECTION POINT (IP)

UNLESS OTHERWISE SPECIFIED, TOLERANCE:

X.	±0.25
X.x	±0.20
X.xx	±0.15
X.xxx	±0.10
ANGULAR	±3°

东莞市高迪电子有限公司

DESIGN: Lucky	DATE: 2018/04/23	TITLE:
CHECKED:	DATE:	Ø3.5mm ROUND EARPHONE JACK CONNECTOR
APPROVED: Lucky	DATE: 2018/04/23	
PART NO.	REV.: A	SCALE: 1:1
DRAWING NO.	SIZE: A4	UNIT: mm
	SHEET: 1/1	