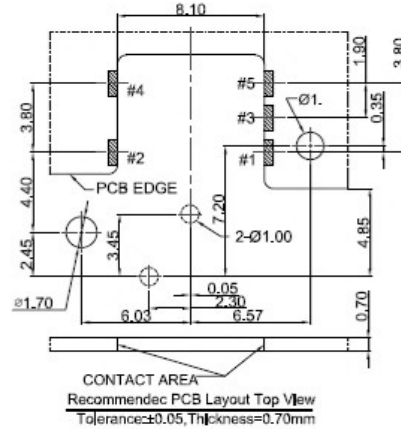
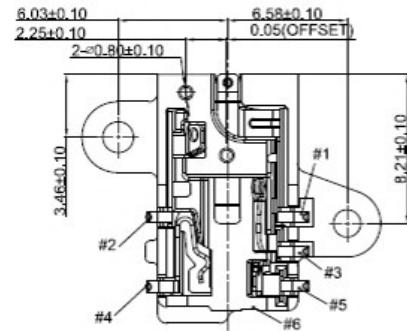
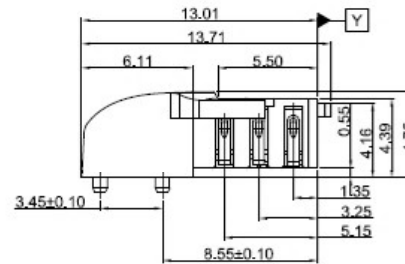
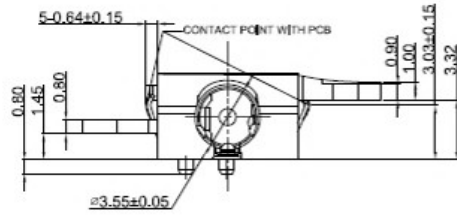
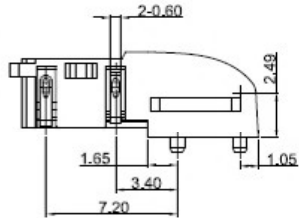
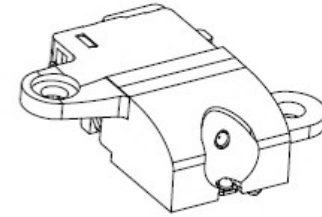
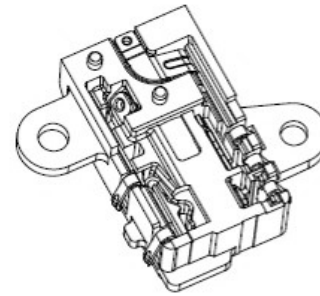
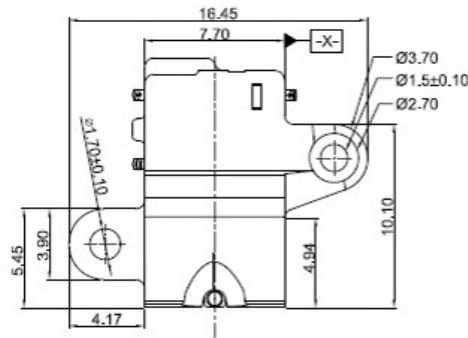


RoHS Compliant

Halogen Free

CUSTOMER DRAWING

符合精和环境相关物质管理规定 GP001



NOTES:

- MATERIAL: SEE "TABLE 1";
- FINISH: SEE "TABLE 1";
- ELECTRICAL:
 - VOLTAGE RATING: 12 VAC RMS;
 - CURRENT RATING: 1 AMP;
 - CONTACT RESISTANCE: 30mΩ Max.(Initial), 50mΩ Max.(After Life test);
 - INSULATION RESISTANCE: 1000 MΩ Min., 500VDC.(Initial), 100 MΩ Min., 500VDC.(After Humidity test);
 - WITHSTAND VOLTAGE: 500 VAC RMS 50(60)Hz, 1 minute;
- MECHANICAL:
 - MATING FORCE: 3.0Kgf MAX.;
 - UNMATING FORCE: 0.3Kgf MIN.;
 - OPERATING LIFE: 5000 CYCLES MIN.;
- ENVIRONMENTAL:
 - OPERATION: -30°C~+80°C.

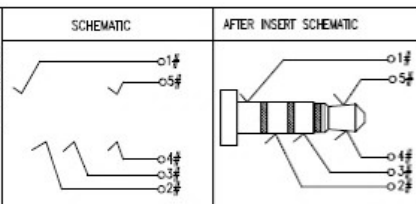
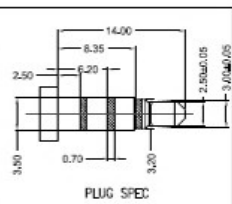


TABLE 1:

NO.	PART NAME	QTY	MATERIAL	DESCRIPTION	REMARK
⑥	Housing	1	PA46	Black	
⑤	5#Contact	1	COPPER ALLOY	Pb NICKEL ON CONTACT	T=0.20mm
④	4#Contact	1	COPPER ALLOY	Pb NICKEL ON CONTACT	T=0.20mm
③	3#Contact	1	COPPER ALLOY	Pb NICKEL ON CONTACT	T=0.20mm
②	2#Contact	1	COPPER ALLOY	Pb NICKEL ON CONTACT	T=0.20mm
①	1#Contact	1	COPPER ALLOY	Pb NICKEL ON CONTACT	T=0.20mm

UNLESS OTHERWISE, GENERAL TOLERANCE:
 X.xxx ±0.10
 X.xx ±0.20
 X.x ±0.30
 X. ±0.38
 ANGULAR:
 X.xx ±1°
 X.x ±3°
 X. ±5°

高迪电子有限公司

TITLE: Ø3.5mm Phone Jack CONN. 客户图	P/N: MODEL: DRAW NO.:	THIRD ANGLE PROJECTION	UNIT: mm	SCALE: 1:1	SIZE: A4	SHEET: 1/1
--	-----------------------------	------------------------	-------------	---------------	-------------	---------------

DESIGN	郑小伟	2016.05.05			
CHECK	郑小伟	2016.05.05			
APPROVAL	吕海涛	2016.05.05			
ECN NO.	REV.	DESCRIPTION	DATE	CHANGE	
N/A	X	NEW DRAWING	2016.05.05	郑小伟	