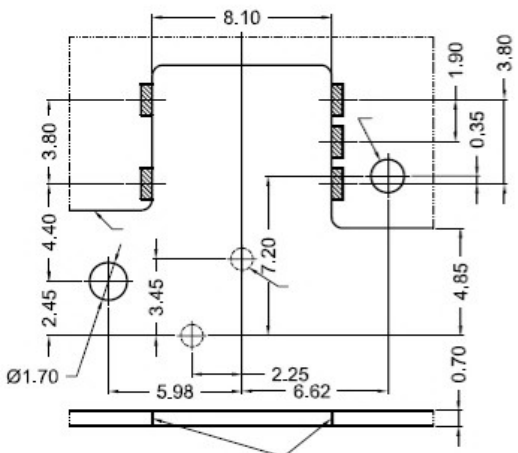
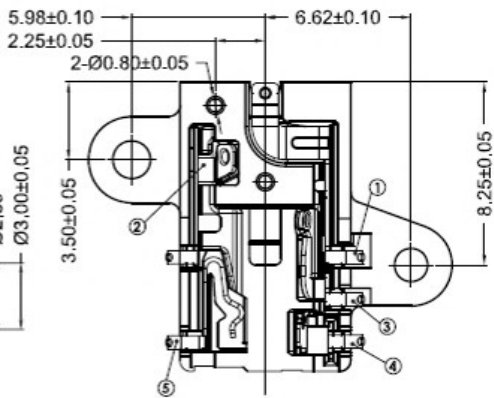
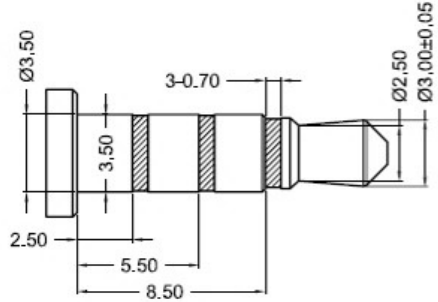


- NOTES:**
1. 额定电流: 1A;
 2. 接触电阻: 30mΩMAX. 适合于材质为铜合金端子 TERMINAL 1-3; 60mΩMAX. 适合于材质为铜合金端子 TERMINAL 4-5;
 3. 绝缘电阻: 100MΩ MIN.;
 4. 耐电压: 500V AC MIN.;
 5. 耐久性: 1,0000 CYCLES;
 6. 插入力: 29.4N (3.0Kg) MAX.;
 7. 拔出力: 2.94N (0.3Kg) MIN.;
 8. 双三角符号▲为重点管控尺寸;
 9. ◎为FAI量测序号.



6	HOUSING	PA46+30%G.F	WHITE	
5	TERMINAL 5	SUS304 H		
4	TERMINAL 4	SUS304 H		
3	TERMINAL 3	C5210 R-H		CONTACT PLUG AREA: MIN.30U" Pb-SN PLATED
2	TERMINAL 2	C7025		CONTACT PCB AREA: MIN.3U" Au PLATED
1	TERMINAL 1	C5210 R-H		
NO.	DESCRIPTION	MAT,L	COLOR	REMARK

CUSTOMER COPY	高迪电子有限公司			
TITLE:	Ø3. mm PHONE JACK CONNECTOR			
PART NO.				
PRODUCT SPEC.				
D FILE NAME.				
SCALE	1:1	UNIT:mm	A4	SHEET:1 of 1

ECN NO.	REV	DATE	DESCRIPTION	CHANGE APPRO.	GENERAL TOLERANCE UNLESS OTHERWISE NOTED	DESIGN	郑小伟	03/21-'15
						CHECK	张学春	03/21-'15
						APPRO.	张学春	03/21-'15

Angle ±2°
X ±0.35
X ±0.25
XX ±0.20