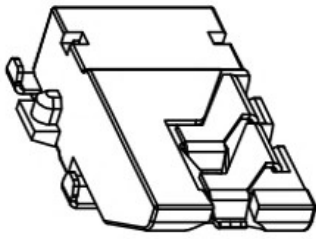
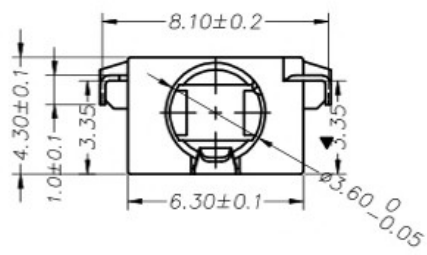
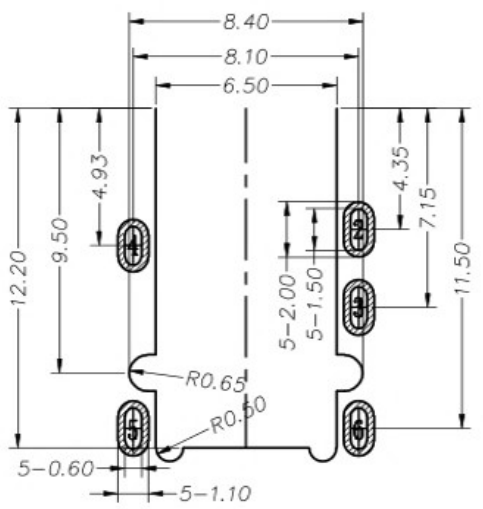


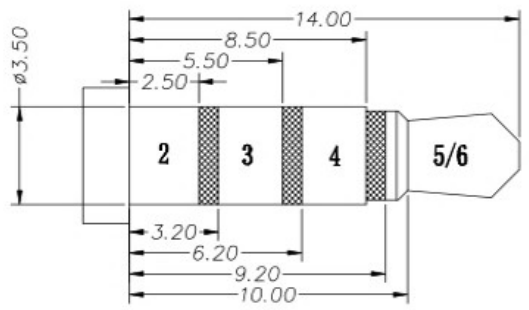
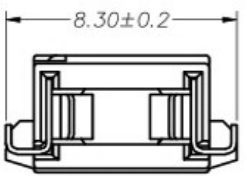
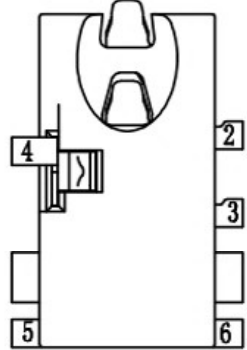
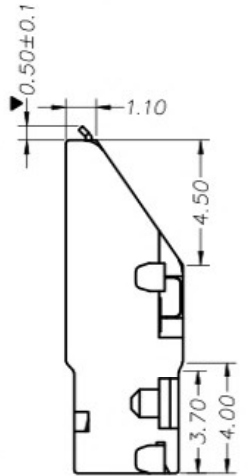
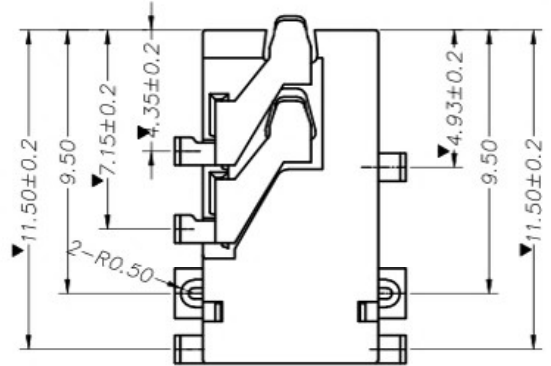
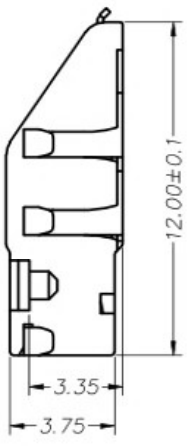
REV.	ECN NO.	DESCRIPTION	DESIGN	DATE
A	XXXXXXX	INITIAL	Kai	2017/11/17



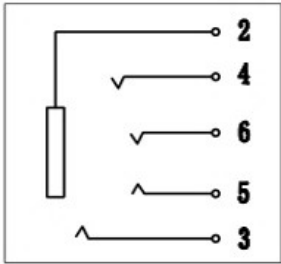
3D VIEW



P.C.B LAYOUT TOP VIEW



(ø3.50mm 4 POLE PLUG DETAIL DRAWING)



SCHEMATIC

6	TERMINAL 5#	1	PHOSPHOR BRONZE; THE BOTTOM OF THE NICKEL; THE WHOLE GOLD PLATING.	
5	TERMINAL 4#	1	BERYLLIUM BRONZE; THE BOTTOM OF THE NICKEL; THE WHOLE GOLD PLATING.	
4	TERMINAL 3#	1	PHOSPHOR BRONZE; THE BOTTOM OF THE NICKEL; THE WHOLE GOLD PLATING.	
3	TERMINAL 2#	1	PHOSPHOR BRONZE; THE BOTTOM OF THE NICKEL; THE WHOLE GOLD PLATING.	
2	TERMINAL 1#	1	PHOSPHOR BRONZE; THE BOTTOM OF THE NICKEL; THE WHOLE GOLD PLATING.	
1	HOUSING	1	PPA COLOR BLACK	
ITEM	NAME	Q'TY	DESCRIPTION	NOTE

UNLESS OTHERWISE SPECIFIED TOLERANCES

**东莞市高迪电子有限公司**

DECIMALS:	ANGLES:	DWG NO.	PART NAME:
DIM TOL	DIM TOL	DESIGN: kai	PHONE JACK
X. ±0.35	X. ±2'	2017/11/17	PART NO.
X.X ±0.30	X.X ±1'	CHECK: /	
X.XX ±0.20	X.XX //	APPROVED Lucky	
X.XXX ±0.10	X.XXX //	2017/11/17	

REV. A	UNIT: mm	SHEET: 1/1	PROJECTION SYMBOL
--------	----------	------------	-------------------

由 Autodesk 教育版产品制作

由 Autodesk 教育版产品制作