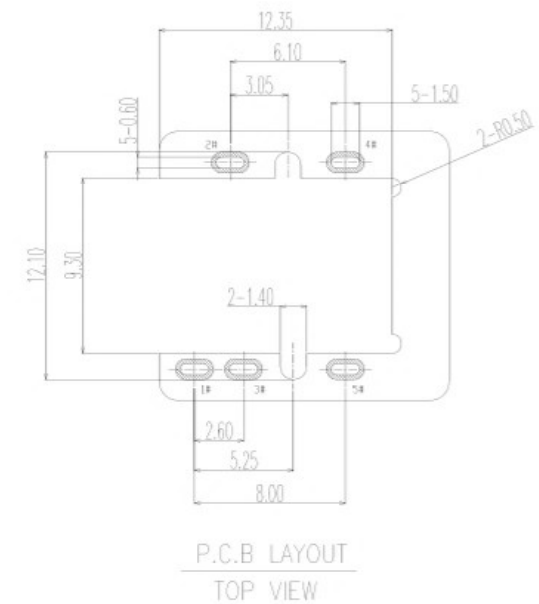
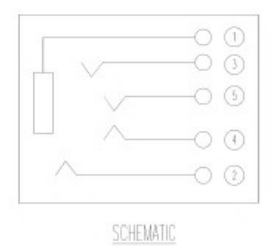
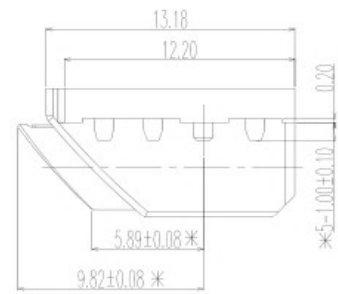
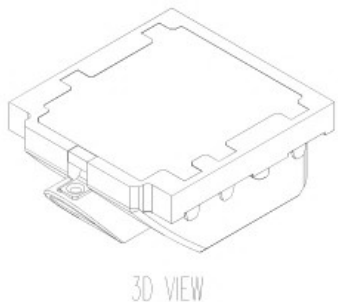
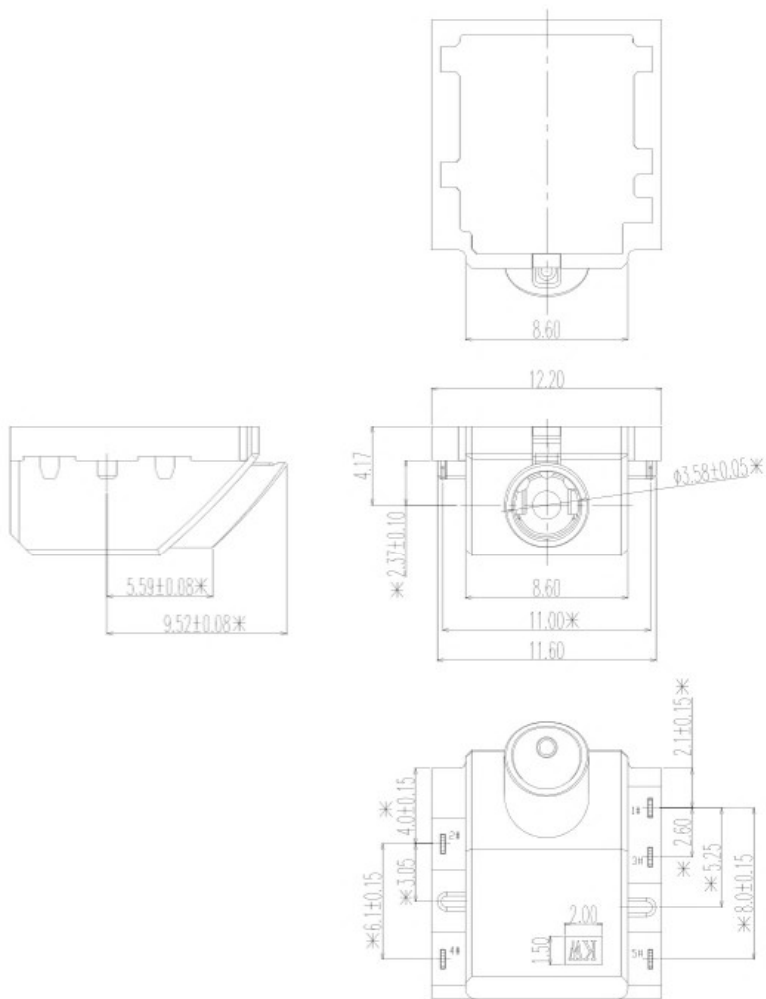


PROPRIETARY INFORMATION  
COMPANY CONFIDENTIAL

REV.	ECN NO.	DESCRIPTION	DESIGN	DATE
A		INITIAL	Key	2018.11.21

1. CONTACT CURRENT RATING: 1A.
2. CONTACT RESISTANCE: 50 mΩ MAX.;
3. INSULATION RESISTANCE: 1000Ω MIN.;
4. DIELECTRIC WITHSTANDING: 500V AC MIN.;
5. DURABILITY: 20,000 CYCLES MIN.;
6. CONNECTOR MATING FORCES: 30N MAX.;
7. CONNECTOR UNMATING FORCES: 3N MIN.;
8. TERPROOF LEVEL: IP67.;



8	WATERPROOF GLUE	1	QIH MANUFACTURE(BONINGJIAN HANSTARS NEW MATERIAL TECHNOLOGY CO.,LTD. SPECIFICATIONS:HS-612CM
7	COVER	1	RAW MATERIAL MANUFACTURER:YONGJIA COUNTYASENGJI MEERING PLASTICS CO.,LID SPECIFICATIONS: PPA-4133 COLOR BLACK
6	TERMINAL 5#	1	RAW MATERIAL MANUFACTURER:DONGGUANGSHI SHUAN ELECTRONICS SCIENCE&TECHNOLOGY CO.LTD. SPECIFICATIONS: SUS304, NICKEL(40μM)UNDER PLATING OVERALLGOLDD(0.8μM)NIFLASH PLATING ON SOLDER AREA ;GOLDD(0.8μM)NIFLASH PLATING ON CONTACT AREA.
5	TERMINAL 4#	1	RAW MATERIAL MANUFACTURER:DONGGUANGSHI SHUAN ELECTRONICS SCIENCE&TECHNOLOGY CO.LTD. SPECIFICATIONS: SUS304, NICKEL(40μM)UNDER PLATING OVERALLGOLDD(0.8μM)NIFLASH PLATING ON SOLDER AREA ;GOLDD(0.8μM)NIFLASH PLATING ON CONTACT AREA.
4	TERMINAL 3#	1	RAW MATERIAL MANUFACTURER:DONGGUANGSHI SHUAN ELECTRONICS SCIENCE&TECHNOLOGY CO.LTD. SPECIFICATIONS: SUS304, NICKEL(40μM)UNDER PLATING OVERALLGOLDD(0.8μM)NIFLASH PLATING ON SOLDER AREA ;GOLDD(0.8μM)NIFLASH PLATING ON CONTACT AREA.
3	TERMINAL 2#	1	RAW MATERIAL MANUFACTURER:DONGGUANGSHI SHUAN ELECTRONICS SCIENCE&TECHNOLOGY CO.LTD. SPECIFICATIONS: SUS304, NICKEL(40μM)UNDER PLATING OVERALLGOLDD(0.8μM)NIFLASH PLATING ON SOLDER AREA ;GOLDD(0.8μM)NIFLASH PLATING ON CONTACT AREA.
2	TERMINAL 1#	1	RAW MATERIAL MANUFACTURER:DONGGUANGSHI SHUAN ELECTRONICS SCIENCE&TECHNOLOGY CO.LTD. SPECIFICATIONS: SUS304, NICKEL(40μM)UNDER PLATING OVERALLGOLDD(0.8μM)NIFLASH PLATING ON SOLDER AREA ;GOLDD(0.8μM)NIFLASH PLATING ON CONTACT AREA.
1	HOUSING	1	RAW MATERIAL MANUFACTURER:YONGJIA COUNTYASENGJI MEERING PLASTICS CO., LID SPECIFICATIONS: PPA-4133 COLOR BLACK
ITEM	NAME	Q'TY	DESCRIPTION

UNLESS OTHERWISE SPECIFIED TOLERANCES

DECIMALS:		ANGLES:	
DIM	TOL	DIM	TOL
X.	±0.30	X.	±2°
X.X	±0.25	X.X	±1°
X.XX	±0.20	X.XX	—
X.XXX	±0.10	X.XXX	—

东莞市高迪电子有限公司

DWG NO.	PART NAME:
DESIGN: Key	PHONE JACK
CHECK: Kai	PART NO.
APPROVED: Lucky	REV. A
2018.11.21	UNIT: mm
2018.11.21	SHEET: 1/1

由 Autodesk 教育版产品制作

由 Autodesk 教育版产品制作