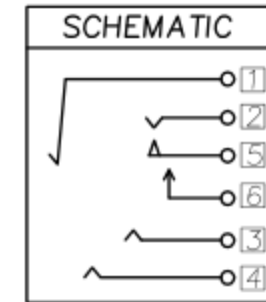


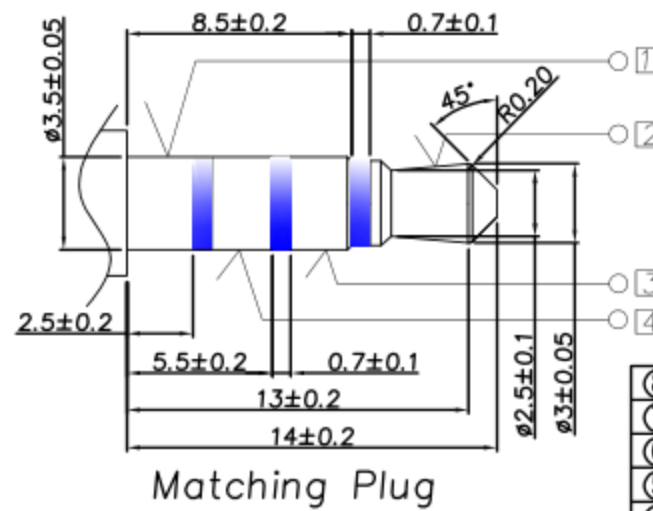
MODEL NO.:
PJR-D3267A-A BK7 AS02 L-RH
 (1) (2) (3) (4) (5) (6)
 (1) Series no.
 (2) Schematic type: A
 (3) Housing material and color:
 BK7=PA10T(black)
 (4) Terminal plating:
 AS02=1#~4#Gold flash on contact
 area, 80u" Matte tin on
 solder tail;5#,6# Silver plating.
 (5) Packing mode:L=Reel packing
 (6) Environmental requirements:
 RH=RoHS & Halogen Free

SPECIFICATION:
 1.Electrical characteristics
 1.1.Current rating:DC 0.5A max.
 1.2.Voltage rating:DC 30V.
 1.3.Contact resistance: $\leq 50m\Omega$ (Initial)
 After test: $\leq 100m\Omega$
 1.4.Insulation resistance:
 100M Ω min. at 500V DC.
 1.5.Withstanding voltage:
 500V AC for 1 minute.
 2.Mechanical characteristics
 2.1.Life test:5000 cycles min,
 2.2.Mating force:4~30N,
 Unmating force:4~30N.
 3.Temperature range: -40°C +80°C

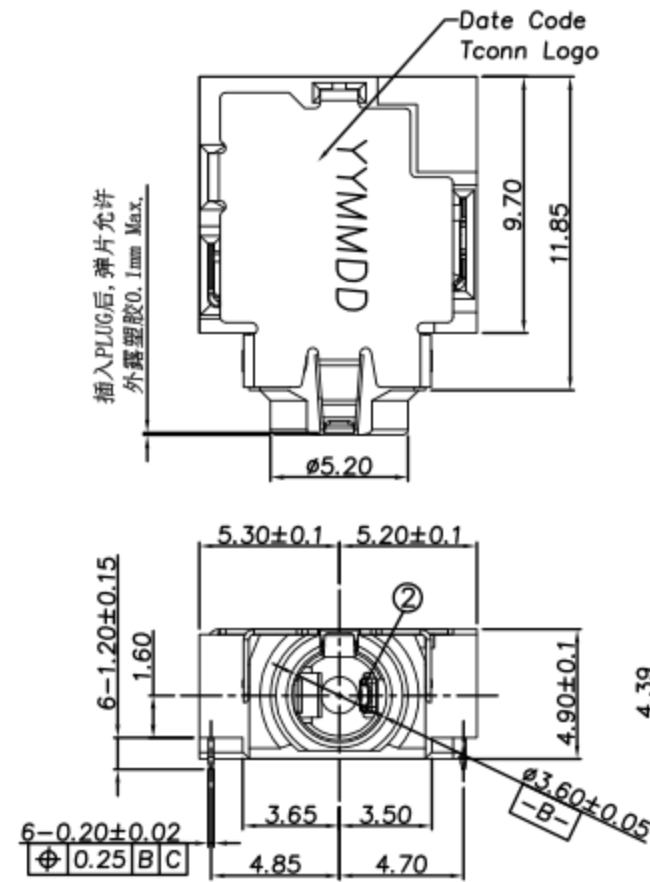


①: Terminal No.
 ①: Project No.

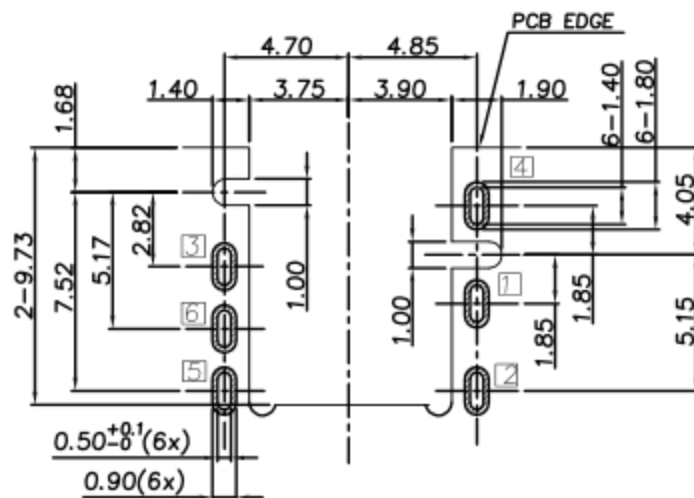
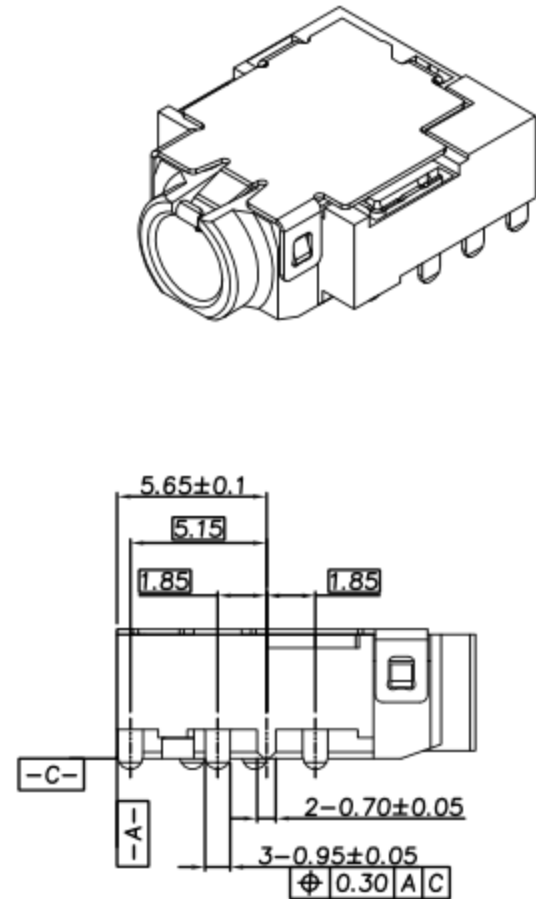
NO.	DESCRIPTION	QTY	MATERIAL	REMARK
⑧	Make terminal	⑥	1 C5210, 0.20t	5u" Silver, 50u" Ni underplated.
⑦	Transfer Spring	⑤	1 C5210, 0.20t	
⑥	Ring spring	④	1 C5210, 0.20t	
⑤	Ring spring	③	1 C5210, 0.20t	Gold Flash on contact area, 80u" Matte tin on solder tail, 50u" Ni underplated.
④	Tip spring	②	1 C5210, 0.20t	
③	Earth spring	①	1 C5210, 0.20t	
②	Separator	1	PA10T UL-94V0	Black
①	Housing	1		Black



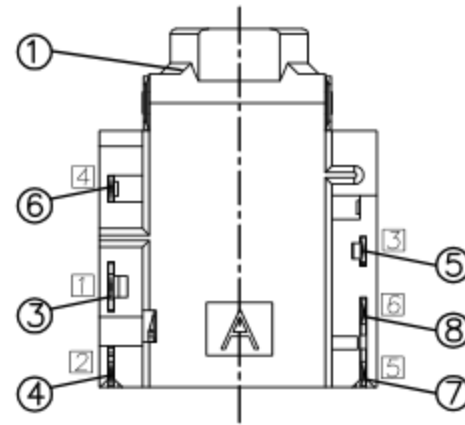
Matching Plug



插入PLUG后, 弹片允许
 外露塑胶0.1mm Max.



RECOMMENDED P.C.B LAYOUT
 TOP VIEW (TOLRANCE: ±0.05)



ECN NO.	REV	DATE	DESCRIPTION	CHANGE	APPRO.	GENERAL TOLERANCE UNLESS OTHERWISE NOTED	SCALE: 3:1	UNIT:mm	A4	SHEET:1 of 1
	A-2	2017.07.21	修改弹片外露标准	Andy	刘伟	X. ±0.25	DESIGN			
	A-1	2017.07.11	按客户要求, 修改尺寸标注	Andy	李海鸥	X.X ±0.35	CHECK			
	A-0	2015.11.04	NEW	YUFUN	余军	X.XX ±0.25	APPROVAL			
						X.XXX ±0.15				
						ANGEL ±3°				

东莞市高迪电子有限公司	
TITLE:	φ3.5mm PHONE JACK
MODEL NO.	PJR-D3267A-ABK7AS02L-RH
FILE NO.	Q/DY. QW-001A-0568