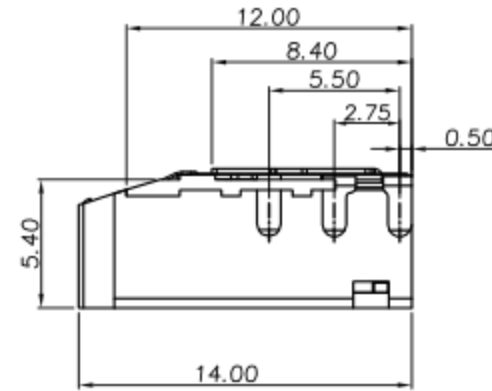
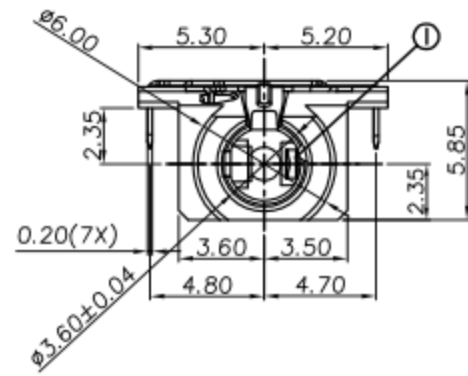
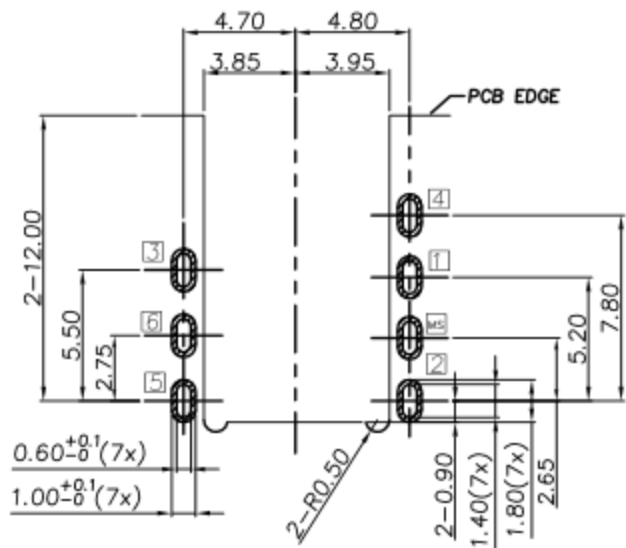
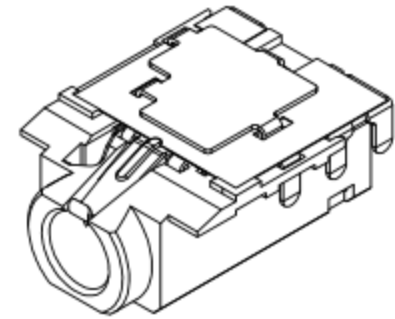


RECOMMENDED PANEL'S ID
TOP VIEW (TOLRANCE:±0.05)

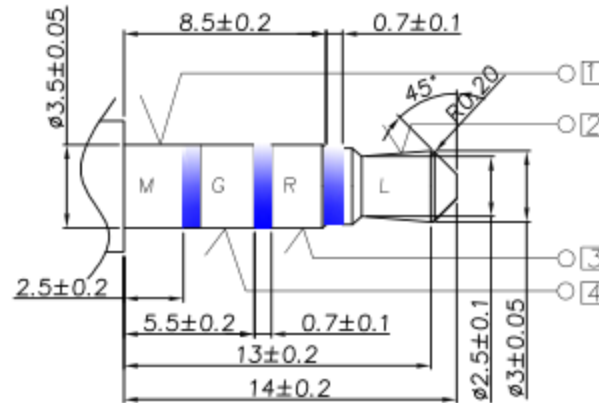
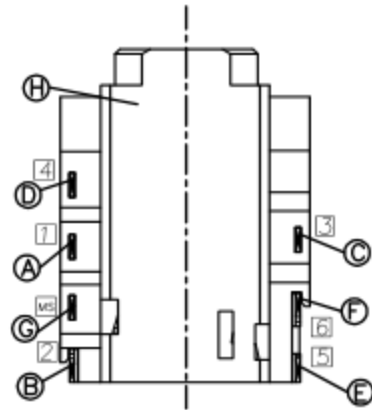


SPECIFICATION:

- Electrical characteristics
 - Current rating:1Amps.
 - Voltage rating:12V DC.
 - Contact resistance:50mΩ max Initial;
After test:60mΩ max
 - Insulation resistance:100MΩ min. at 500V DC.
 - Withstanding voltage:500V AC.
- Mechanical characteristics
 - Life test:5000 cycles min,
 - Mating force:3~30N.
Unmating force:3~30N.
- Wave solder 265° C, 3-5 sec.
IR Reflow, Peak temp 230-250° C, 20-90 sec.



RECOMMENDED P.C.B LAYOUT
TOP VIEW (TOLRANCE:±0.05)



Matching Plug

①	Mylar	1	Polyimide film	Yellow
②	Molding	1	LCP	Black UL94 V-0
③	Housing	1	PA10T	Black UL94 V-0
④	Shell	MS 1	C5210, 0.20t	Nickel Plated
⑤	Contact 6	⑥ 1	C5210, 0.20t	Au 3u" on contact area, Plate 60u"Matte tin on solder tail, 50u"Nickel underplated.
⑥	Contact 5	⑤ 1	C5210, 0.20t	
⑦	Contact 4	④ 1	C5210, 0.20t	
⑧	Contact 3	③ 1	C5210, 0.20t	
⑨	Contact 2	② 1	C5210, 0.20t	
⑩	Contact 1	① 1	C5210, 0.20t	
NO.	DESCRIPTION	QTY	MATERIAL	REMARK

Angle	±2°	DESIGN	罗振强	2021.01.26						
.x	±0.35	CHECK								
.xx	±0.25	APPROVAL								
.xxx	±0.15									
ECN NO.	REV	DATE	DESCRIPTION	CHANGE	APPRO.	GENERAL TOLERANCE UNLESS OTHERWISE NOTED	SCALE: 3:1	UNIT:mm	A4	SHEET: 1 of 1

东莞市高迪电子有限公司

CUSTOMER DRAWING	TITLE:	φ3.5mm PHONE JACK
	MODEL NO.	PJR-D3266Y-ABK7AS03L-RH
	FILE NO.	Q/DY. QW-001A-0731