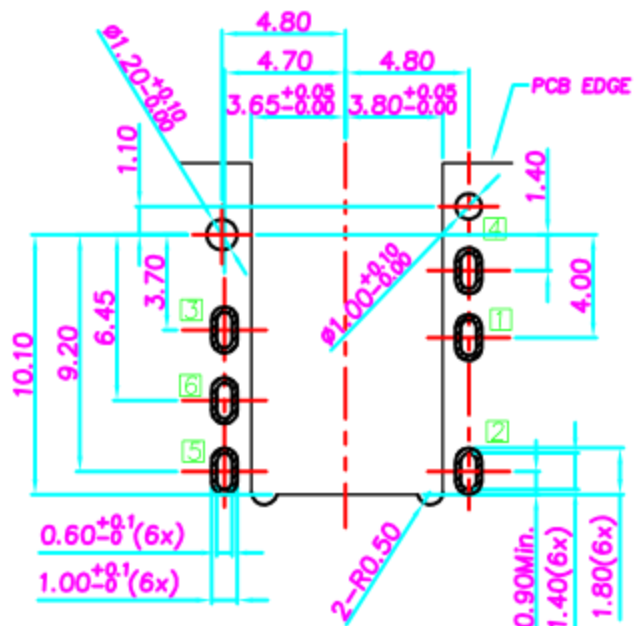
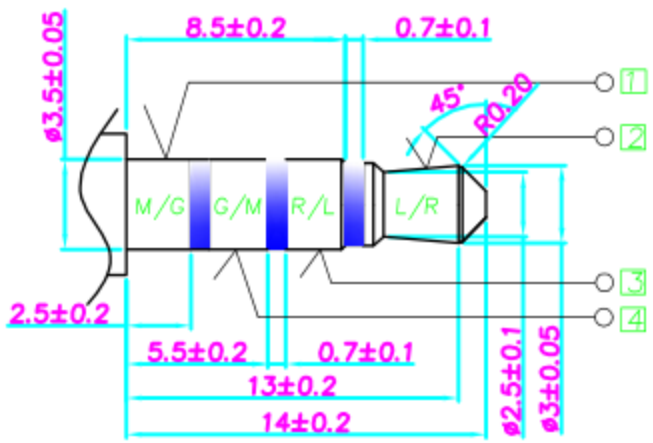
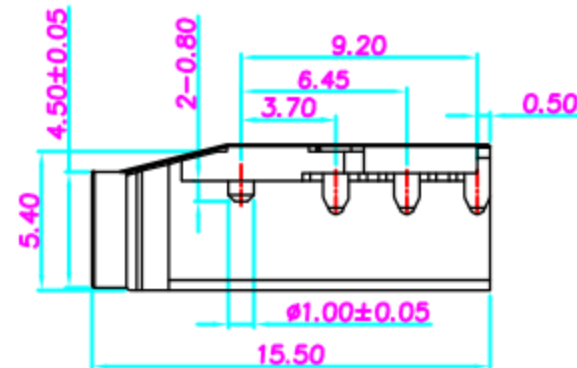
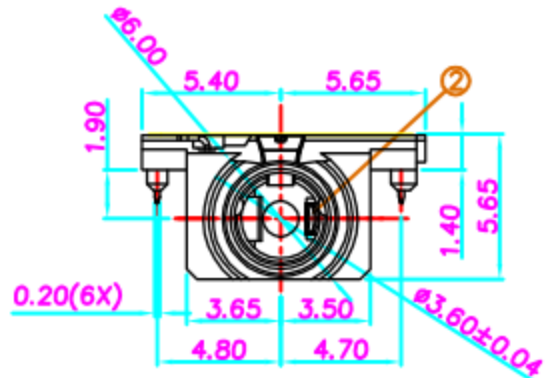
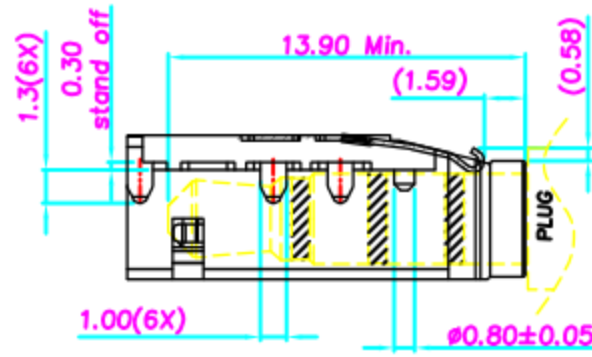
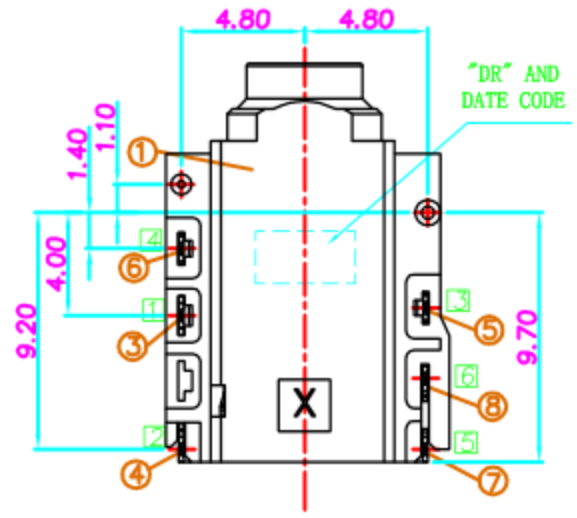


□ : Terminal No.
 ○ : Project No.



RECOMMENDED P.C.B LAYOUT TOP VIEW (TOLRANCE: ±0.05)



Matching Plug

SPECIFICATION:

- Electrical characteristics
 - 1-1. Current rating: DC 1A max.
 - 1-2. Voltage rating: DC 12V.
 - 1-3. Contact resistance: 50mΩ max.
 - 1-4. Insulation resistance: 100MΩ min. at 500V DC.
 - 1-5. Withstanding voltage: 500V AC for 1 minute.
- Mechanical characteristics
 - 2-1. Life test: 5000 cycles min.
 - 2-2. Mating force: 3~30N, Unmating force: 3~30N.
- Salt spray test time: 48 hours min.
- Sign"®" shows QIP measurement items.
 Marked"Ⓜ" Dimension Should Be Measured By CPK

NO.	DESCRIPTION	QTY	MATERIAL	REMARK
9	Housing	1	PA10T R630NH+30%GF UL 94V-0	Black
8	Insulator	1	PA10T R630NH+30%GF UL 94V-0	Black
6	Shunt terminal [6]	1	Phosphor bronze, 0.20t	5u" Ag On Contact And Solder Tail Area, 50u" Nickel UnderPlated
5	Transfer Spring [5]	1	Phosphor bronze, 0.20t	
4	Shell	1	Phosphor bronze, 0.20t	Plating Ni 80u"Min.
3	Ring spring [3]	1	Phosphor bronze, 0.20t	30u" Au On Contact Area
2	Tip spring [2]	1	Phosphor bronze, 0.20t	100u" Matte-Tin Plating on Solder Tail Area, 50u" Nickel UnderPlated
1	Earth spring [1]	1	Phosphor bronze, 0.20t	

ECN NO.	REV	DATE	DESCRIPTION	CHANGE	APPRO.	GENERAL TOLERANCE UNLESS OTHERWISE NOTED	SCALE: 1:1	UNIT:mm	A4
	A-0	2018. 03. 07	NEW	李江林	李海鸥	Angle ±2° . x ±0.35 . xx ±0.25 . xxx ±0.15	DESIGN 李江林 2018. 03. 07	CHECK	
							APPROVAL		

东莞市高迪电子有限公司

CUSTOMER DRAWING TITLE: **φ3.5mm PHONE JACK**

MODEL NO. _____

FILE NO. **Q/DY. QW-001A-0572**

SHEET: 1 of 1