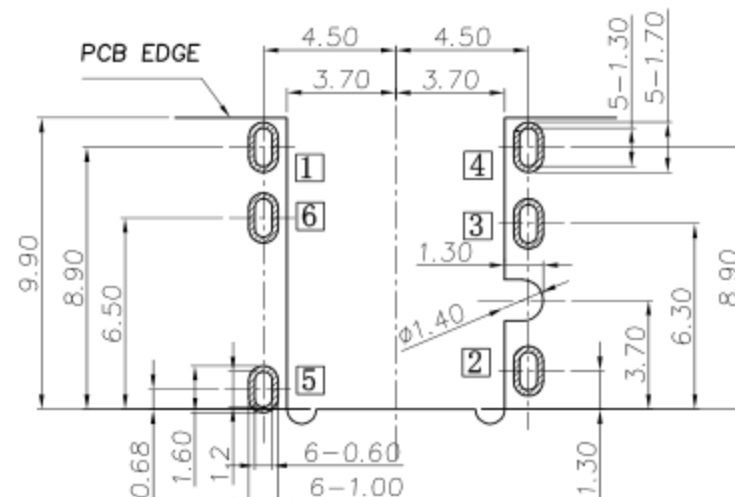
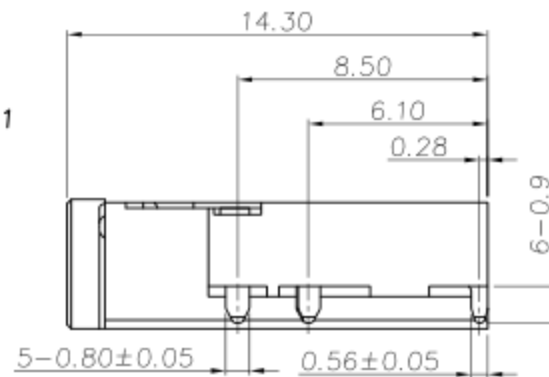
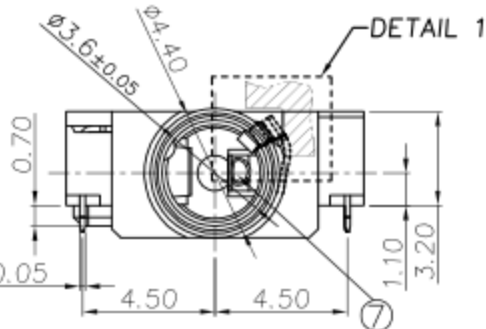
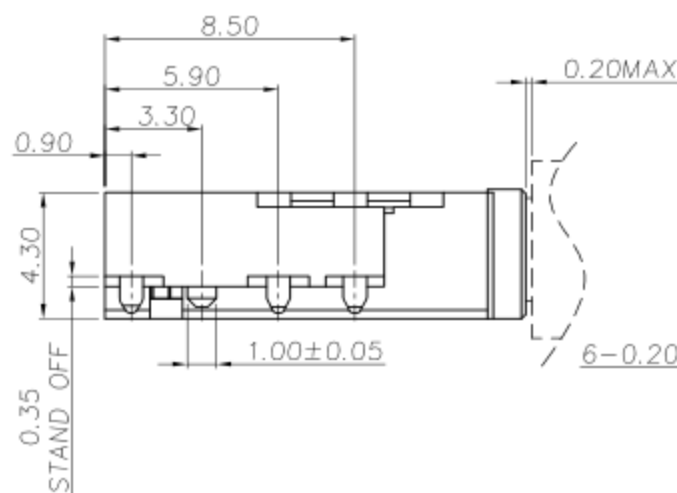
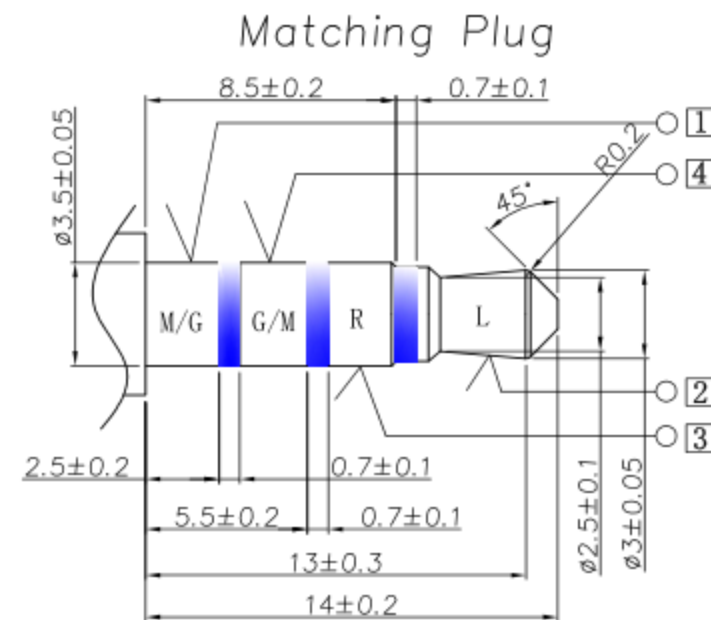
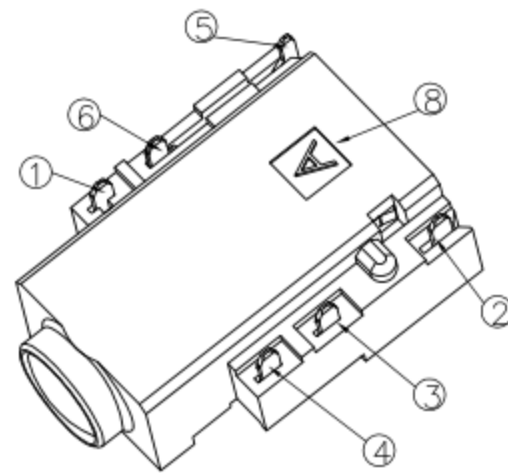
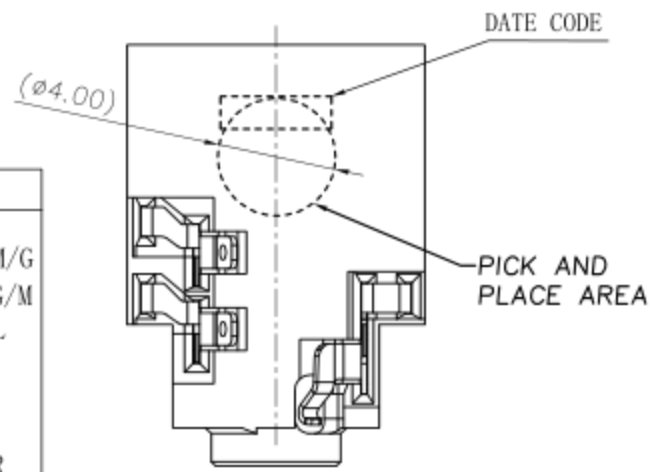
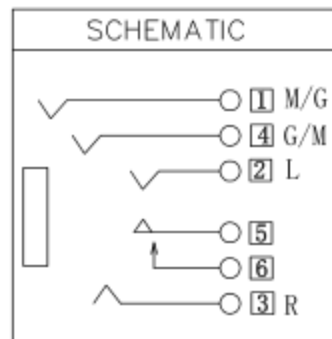


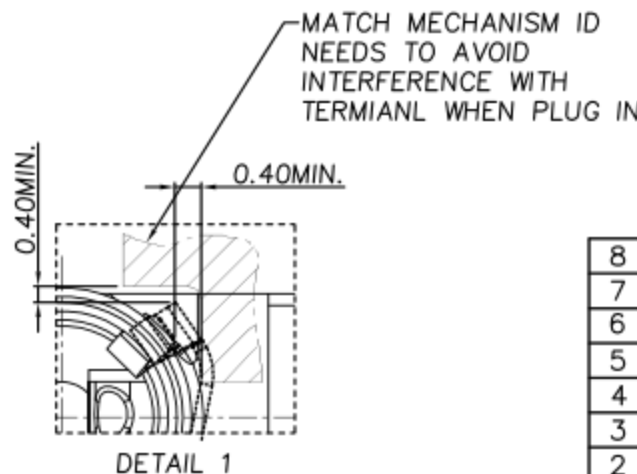
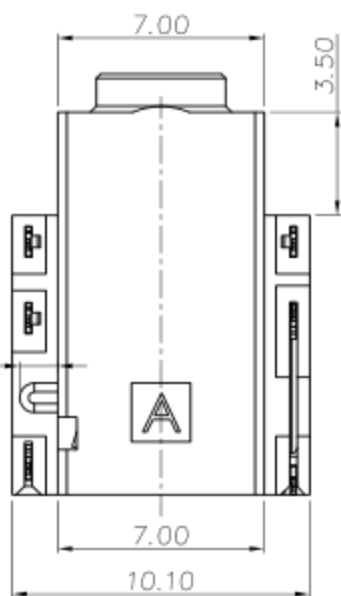
MODEL NO. :
PJR-D3261Z - A BK7 AU02 L - RH
 (1) (2) (3) (4) (5) (6)

- (1) Series no.
 (2) Schematic type: A, B, C
 (3) Housing color:
 BK7=Black
 (4) Terminal plating:
 AU02=AU 1U"
 (5) Packing mode:L=Reel packing
 (6) Environmental requirements:
 Rh=RoHS 2.0 + Halogen Free



SPECIFICATION:

- Electrical characteristics
 - Current rating: 1A rms.
 - Voltage rating: 12V DC.
 - Contact resistance: Between Jack-Plug: $50 \text{ m}\Omega$ max; Within Jack Break Spring, Make Spring: $30 \text{ m}\Omega$ max.
 - Insulation resistance: $100 \text{ M}\Omega$ min. at 500V DC.
 - Withstanding voltage: Mated Set or Plug: 250V AC Or Jack: 500V AC.
- Mechanical characteristics
 - Life test: 5000 cycles min,
 - Mating force: 3~30N. Unmating force: 3~30N.
- Operating Temperatures: $-25^\circ\text{C} \sim +70^\circ\text{C}$, 85%RH Max.



NO.	DESCRIPTION	QTY	MATERIAL	REMARK
8	Housing	1	PA10T,UL,94V-0	Black
7	Insulator	1	PA10T,UL,94V-0	Black
6	Shunt terminal	1	C5210, 0.20t	1u" Au On Contact Gold Flash On Solder Tail Area, 50U" Nickel UnderPlated
5	Transfer Spring	1	C5210, 0.20t	
4	Ring spring	1	C5210, 0.20t	
3	Ring spring	1	C5210, 0.20t	
2	Tip spring	1	C5210, 0.20t	
1	Earth spring	1	C5210, 0.20t	

ECN NO.	REV	DATE	DESCRIPTION	CHANGE	APPRO.	GENERAL TOLERANCE UNLESS OTHERWISE NOTED	SCALE: 1:1	UNIT:mm	A4
	A-0	2021.04.22	NEW	刘伟	余军	Angle $\pm 2^\circ$ x ± 0.35 xx ± 0.25 xxx ± 0.15	DESIGN	刘伟	2021.04.22
							CHECK		
							APPROVAL		

东莞市高迪电子有限公司

CUSTOMER DRAWING	TITLE:	$\phi 3.5 \text{ mm}$ PHONE JACK
	MODEL NO.	PJR-D3261Z-ABK7AU02L-RH
	FILE NO.	Q/DY. QW-001A-0741