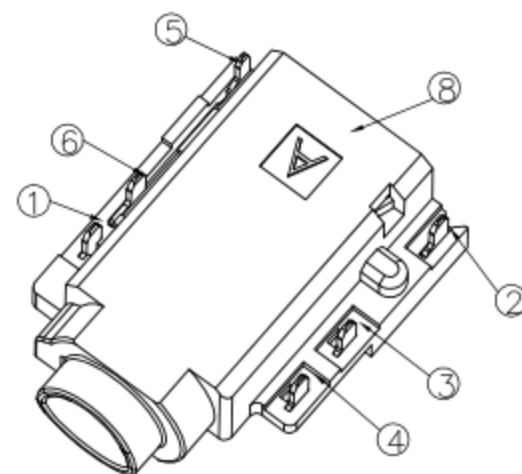
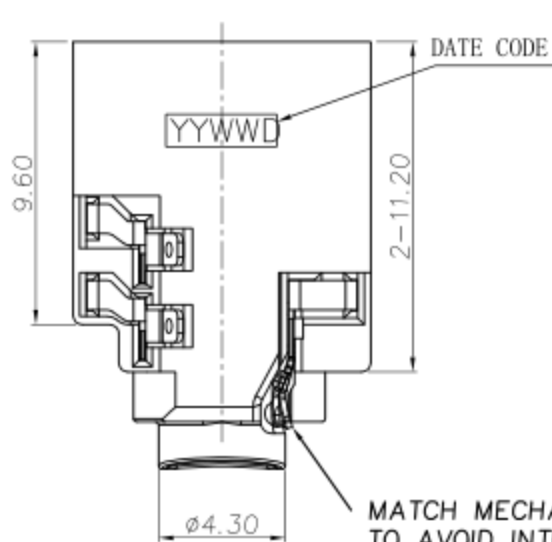
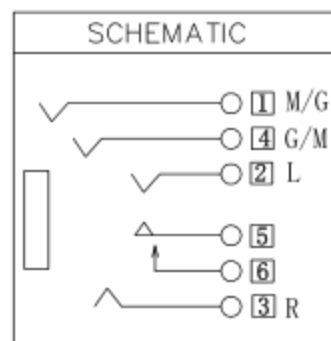
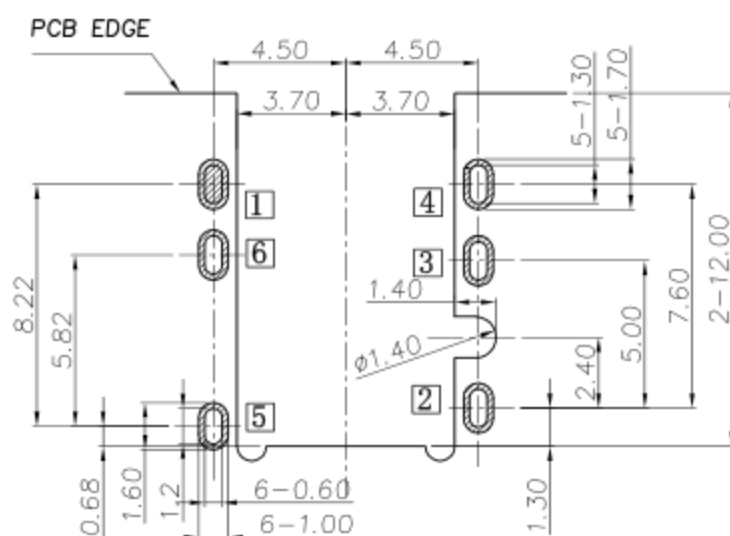
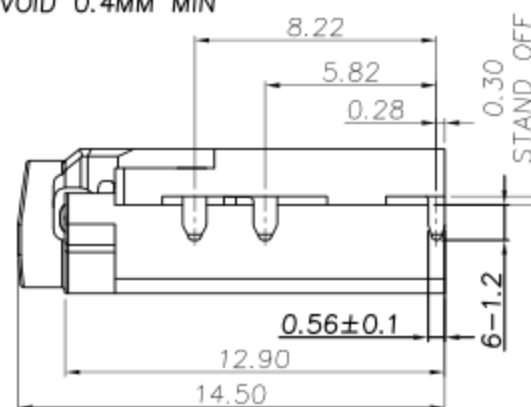
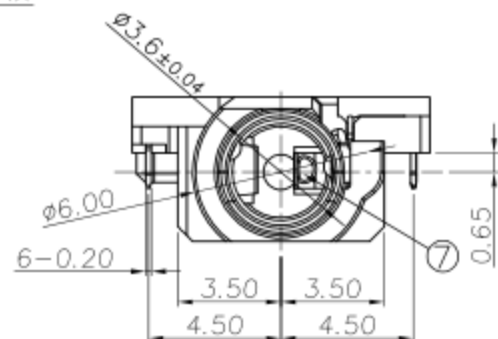
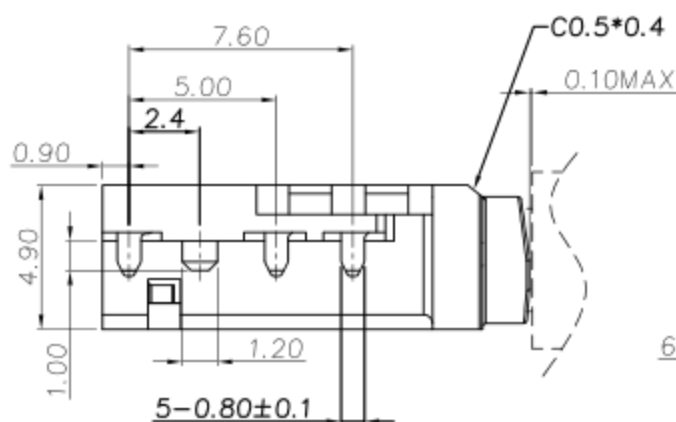
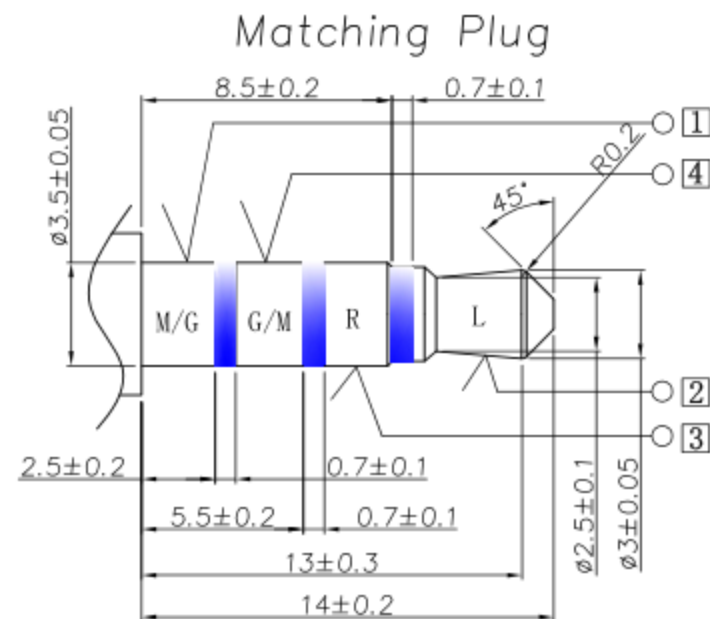


MODEL NO. :
 PJR-D3261W - A BK7 AU03 L - RH
 (1) (2) (3) (4) (5) (6)

- (1) Series no.
 (2) Schematic type: A, B, C
 (3) Housing color:
 BK7=Black
 (4) Terminal plating:
 AU03=AU 3U"
 (5) Packing mode:L=Reel packing
 (6) Environmental requirements:
 Rh=RoHS 2.0 + Halogen Free

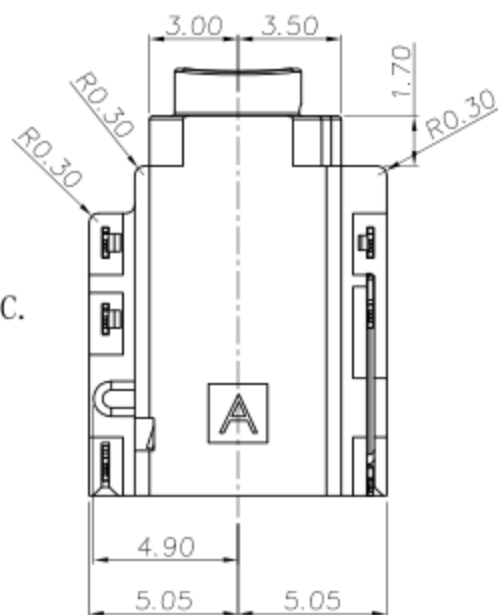


MATCH MECHANISM ID NEEDS TO AVOID INTERFERENCE WITH TERMINAL WHEN PLUG IN
 NEED TO AVOID 0.4MM MIN



SPECIFICATION:

- Electrical characteristics
 - Current rating:DC 1.0A max.
 - Voltage rating:DC 12V.
 - Contact resistance:50mΩ max.
 - Insulation resistance:100MΩ min. at 500V DC.
 - Withstanding voltage:500V AC for 1 minute.
- Mechanical characteristics
 - Life test:5000 cycles min,
 - Mating force:8~30N.
 After the 2000th:25N MAX.
 Unmating force:6~18N.
 After the 2000th:5N MIN.



8	Housing	1	PA10T,UL,94V-0	Black
7	Insulator	1	PA10T,UL,94V-0	Black
6	Shunt terminal 6	1	C5210, 0.20t	Gold Flash On Contact Gold Flash On Solder Tail Area, 50U" Nickel UnderPlated
5	Transfer Spring 5	1	C5210, 0.20t	
4	Ring spring 4	1	C5210, 0.20t	
3	Ring spring 3	1	C5210, 0.20t	Au 3u" On Contact Area Gold Flash Plating on Solder Tail Area, All over 50u"Nickel Plated
2	Tip spring 2	1	C5210, 0.20t	
1	Earth spring 1	1	C5210, 0.20t	
NO.	DESCRIPTION	QTY	MATERIAL	REMARK

DESIGN				刘伟	2020.08.20	东莞市高迪电子有限公司	
CHECK							
APPROVAL							
CUSTOMER DRAWING	TITLE:	φ3.5mm PHONE JACK					
	MODEL NO.	PJR-D3261W-ABK7AU03L-RH					
	FILE NO.	Q/DY. QW-001A-XXXX					

ECN NO.	REV	DATE	DESCRIPTION	CHANGE	APPRO.	GENERAL TOLERANCE UNLESS OTHERWISE NOTED	SCALE: 1:1	UNIT:mm	A4	SHEET: 1 of 1
	02	2020.08.20	按客户要求, 修改1#端子处结构		刘伟 余军	Angle ±2°				
	01	2020.07.29	增加倒角		刘伟 余军	.xx ±0.25				
	00	2020.07.18	NEW		刘伟 余军	.xxx ±0.10				