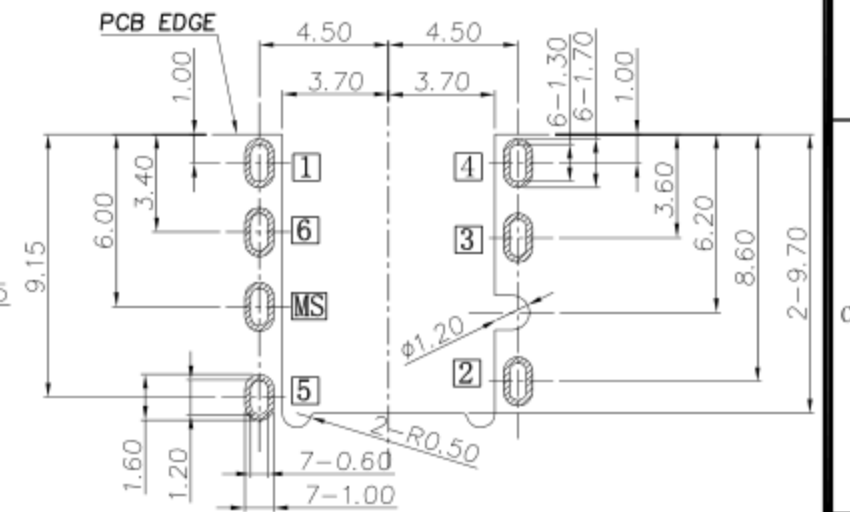
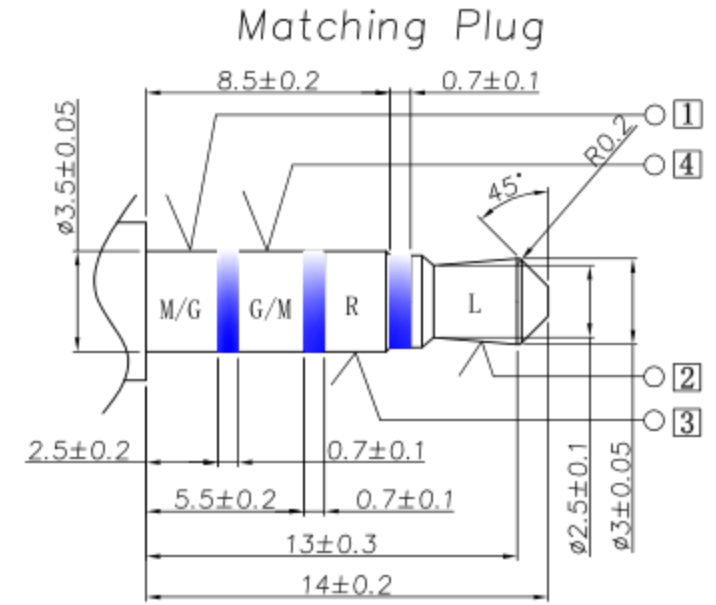
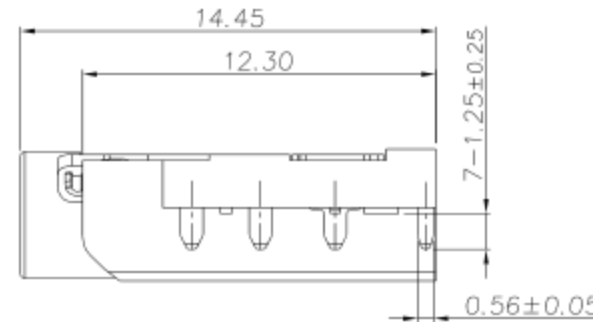
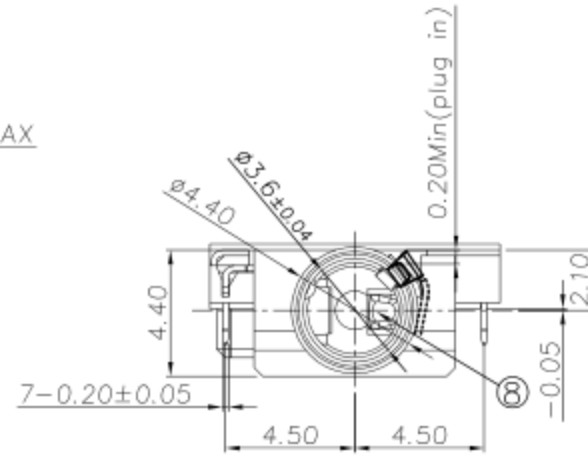
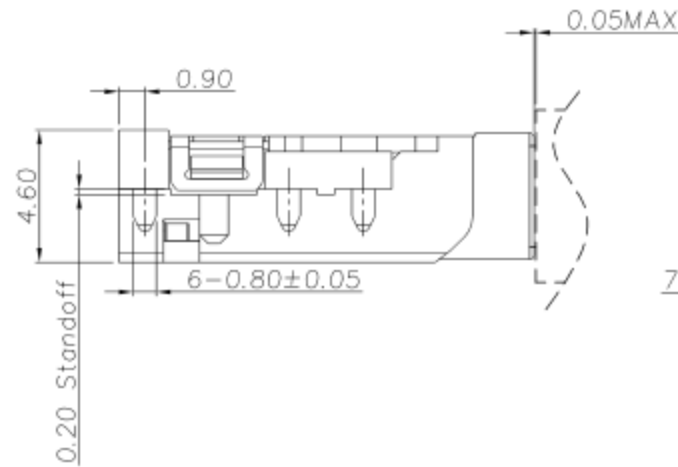
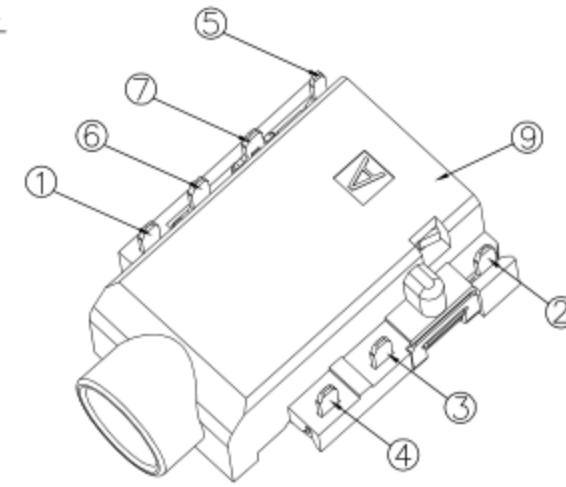
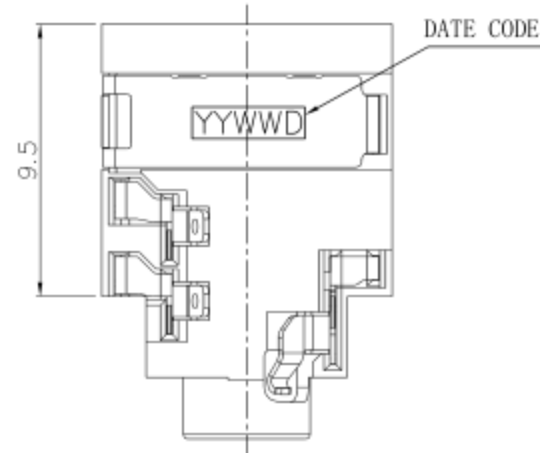


MODEL NO. :
 PJ-D3261S-ABK7AS02L-RH
 (1) (2)(3) (4)(5)(6)

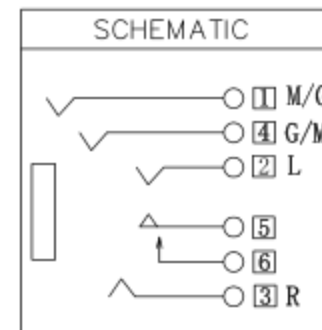
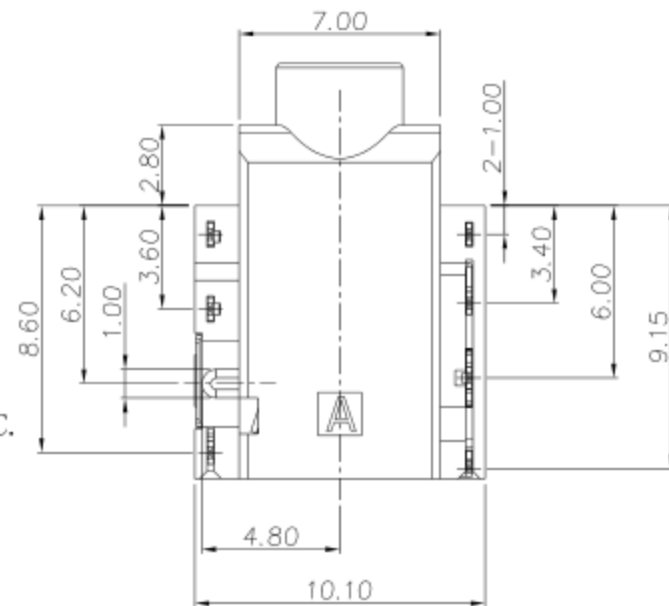
- (1) Series no.
- (2) Schematic type: A
- (3) Housing color:
BK7=Black
- (4) Terminal plating:
AS02=Plating Tin/Gold flash.
- (5) Packing mode:L=Reel packing
- (6) Environmental requirements:
Rh=RoHS 2.0 + Halogen Free



RECOMMENDED P.C.B LAYOUT
 TOP VIEW (TOLRANCE: ±0.05)

SPECIFICATION:

- 1. Electrical characteristics
 - 1-1. Current rating:DC 1.0A max.
 - 1-2. Voltage rating:DC 12V.
 - 1-3. Contact resistance:50mΩ max.
 - 1-4. Insulation resistance:100MΩ min. at 500V DC.
 - 1-5. Withstanding voltage:500V AC for 1 minute.
- 2. Mechanical characteristics
 - 2-1. Life test:5000 cycles min,
 - 2-2. Mating force:3~30N.
 - Unmating force:3~30N.



NO.	DESCRIPTION	QTY	MATERIAL	REMARK
9	Housing	1	HIGH TEMPERATURE PLASTIC	Black
8	Insulator	1	HIGH TEMPERATURE PLASTIC	Black
5	Transfer Spring	1	Phosphor bronze, 0.20t	Gold Flash On Contact Area And Solder Tail Area, All over 50u" Nickel Plated
7	shell	1	Phosphor bronze, 0.20t	Plating Ni 60u"
6	Shunt terminal	1	Phosphor bronze, 0.20t	Gold Flash On Contact Area 80u"matte tin
4	Ring spring	1	Phosphor bronze, 0.20t	80u"matte tin
3	Ring spring	1	Phosphor bronze, 0.20t	Plating on Solder Tail Area, All over 50u"Nickel Plated
2	Tip spring	1	Phosphor bronze, 0.20t	
1	Earth spring	1	Phosphor bronze, 0.20t	

ECN NO.	REV	DATE	DESCRIPTION	CHANGE	APPRO.	GENERAL TOLERANCE UNLESS OTHERWISE NOTED	SCALE: 1:1	UNIT:mm	A4
	A-0	2020. 03. 04	NEW	罗振强	刘伟	Angle ±2° .x ±0.20 .xx ±0.15 .xxx ±0.10	DESIGN 罗振强 2020. 03. 04		
							CHECK		
							APPROVAL		

东莞市高迪电子有限公司

CUSTOMER DRAWING	TITLE:	φ3.5mm PHONE JACK
	MODEL NO.	PJR-D3261S-ABK7AS02L-RH
	FILE NO.	Q/DY. QW-001A-0706