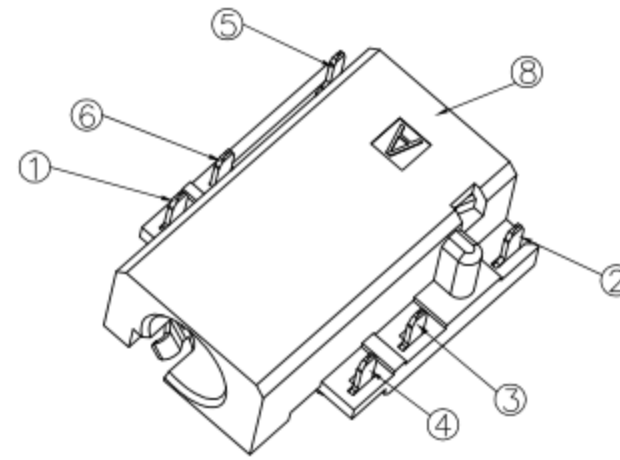
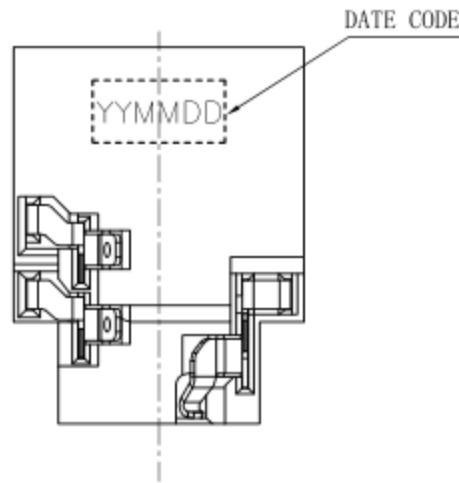
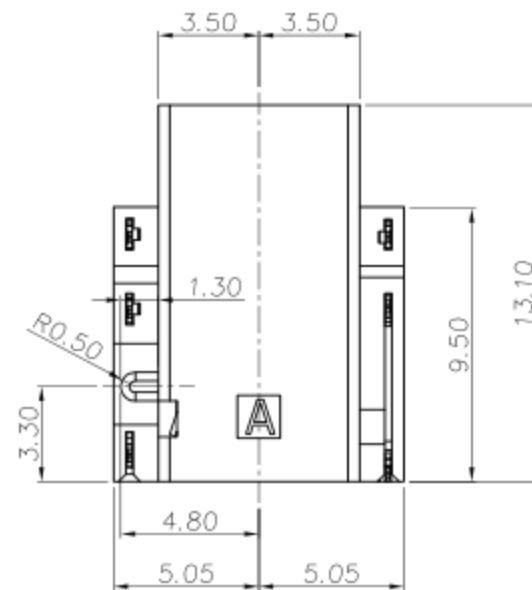
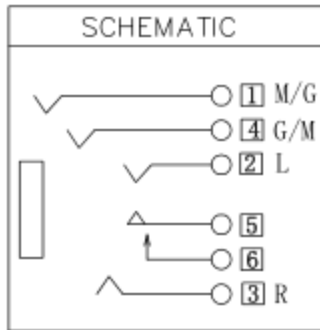
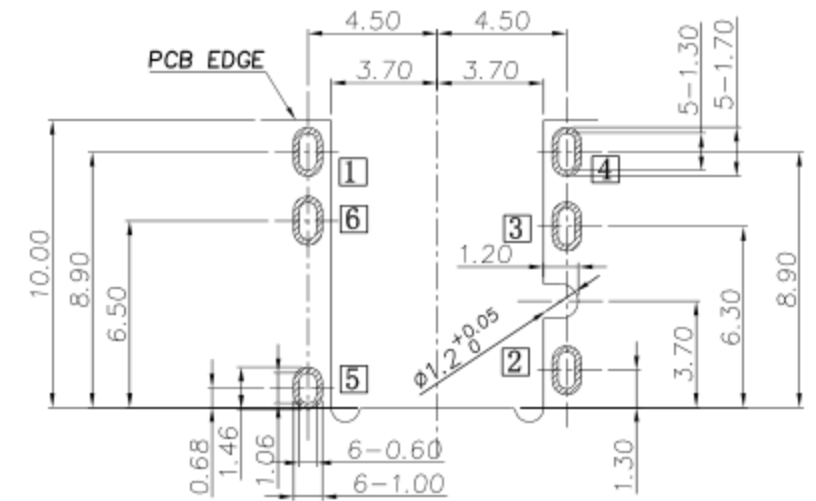
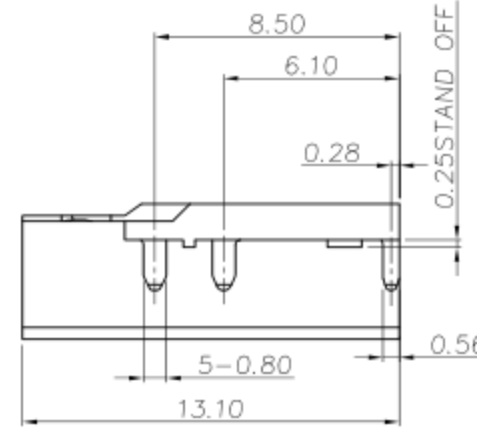
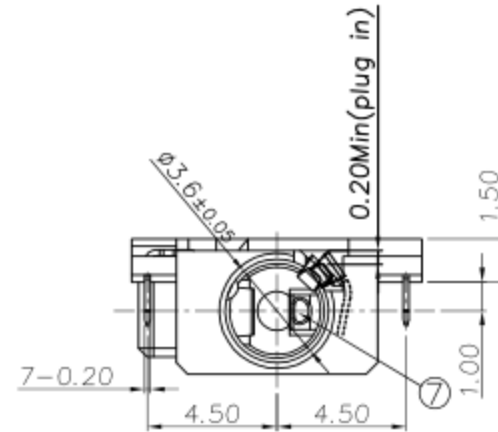
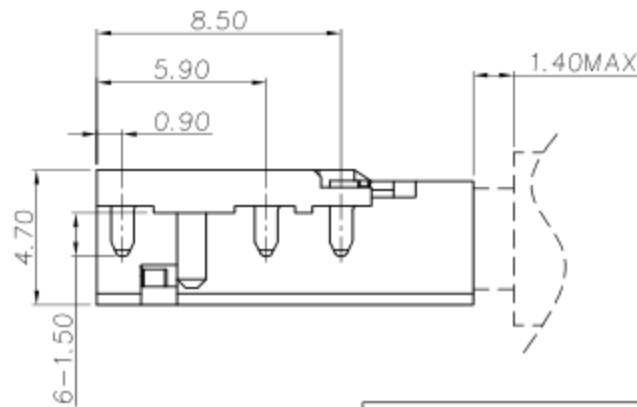
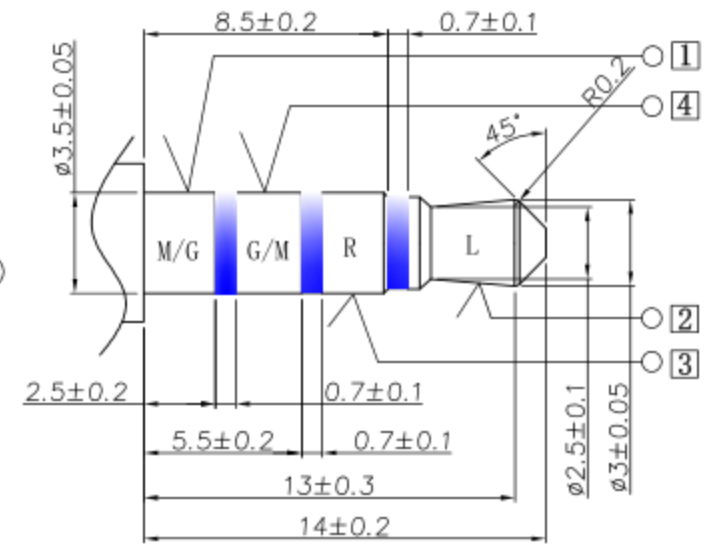


MODEL NO. :
PJR-D3261Q-ABK7AS02L-RH
 (1) (2)(3) (4)(5) (6)

- (1) Series no.
- (2) Schematic type: A
- (3) Housing color:
BK7=Black
- (4) Terminal plating:
AS02=Plating Tin/Gold flash.
- (5) Packing mode:L=Reel packing
- (6) Environmental requirements:
RH=RoHS 2.0 + Halogen Free



Matching Plug



SPECIFICATION:

- 1. Electrical characteristics
 - 1-1. Current rating:DC 1.0A max.
 - 1-2: Voltage rating:DC 12V.
 - 1-3: Contact resistance:50mΩ max.
 - 1-4. Insulation resistance:100MΩ min. at 500V DC.
 - 1-5. Withstanding voltage:500V AC for 1 minute.
- 2. Mechanical characteristics
 - 2-1. Life test:5000 cycles min,
 - 2-2. Mating force:3~30N.
 - Unmating force:3~30N.

8	Housing	1	PA10T	Black
7	Insulator	1	PA10T	Black
5	Transfer spring	1	C5210R, 0.20t	Gold Flash On Contact Area And Solder Tail Area, All Over 50u" Nickel Plated
6	Shunt terminal	1	C5210R, 0.20t	Gold Flash On Contact Area
4	Ring spring	1	C5210R, 0.20t	80u"Matte Tin
3	Ring spring	1	C5210R, 0.20t	Plating On Solder Tail Area, All over 50u"Nickel Plated
2	Tip spring	1	C5210R, 0.20t	
1	Earth spring	1	C5210R, 0.20t	
NO.	DESCRIPTION	QTY	MATERIAL	REMARK

					Angle	±2°	DESIGN	刘伟	2021.01.29
					.x	±0.35	CHECK		
					.xx	±0.25	APPROVAL		
					.xxx	±0.15			
ECN NO.	REV	DATE	DESCRIPTION	CHANGE	APPRO.	GENERAL TOLERANCE UNLESS OTHERWISE NOTED	SCALE: 1:1	UNIT:mm	A4

东莞市高迪电子有限公司		
CUSTOMER DRAWING	TITLE:	φ3.5mm PHONE JACK
	MODEL NO.	PJR-D3261Q-ABK7AS02L-RH
	FILE NO.	Q/DY. QW-001A-0732