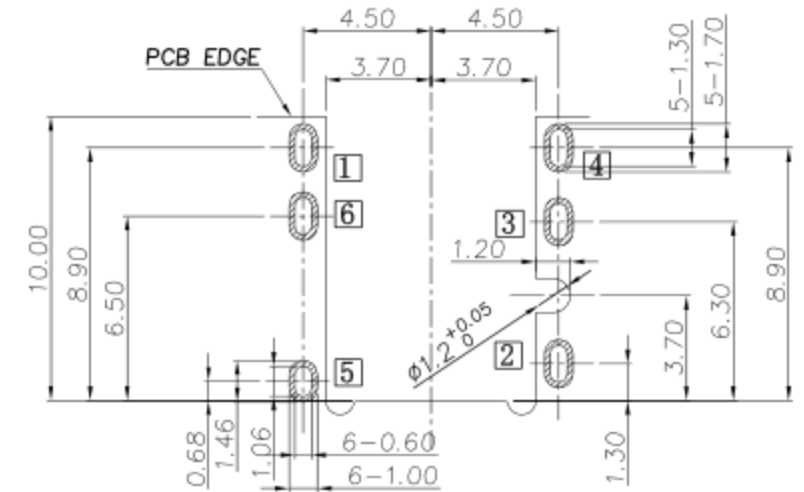
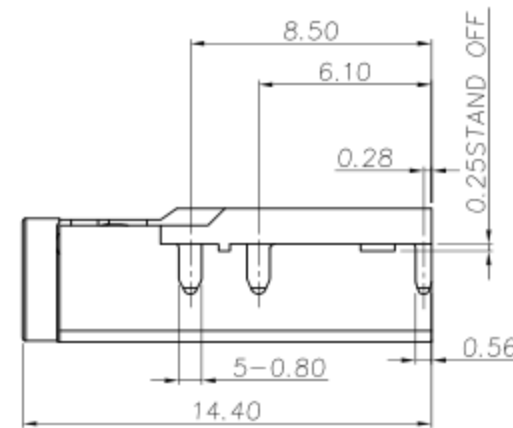
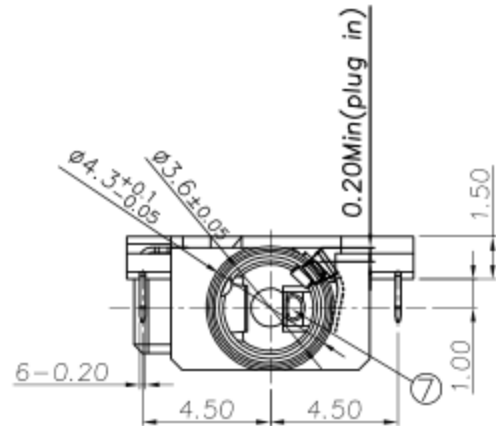
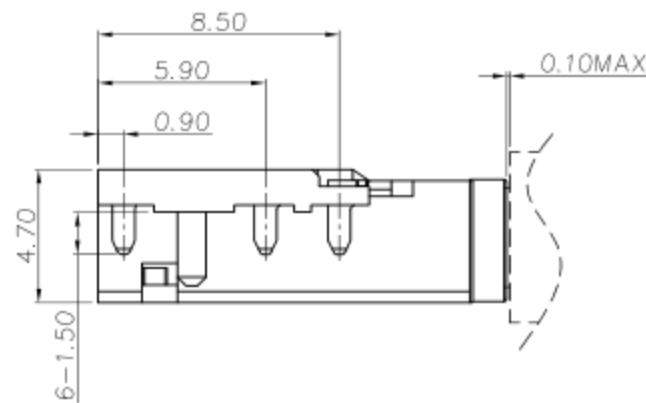
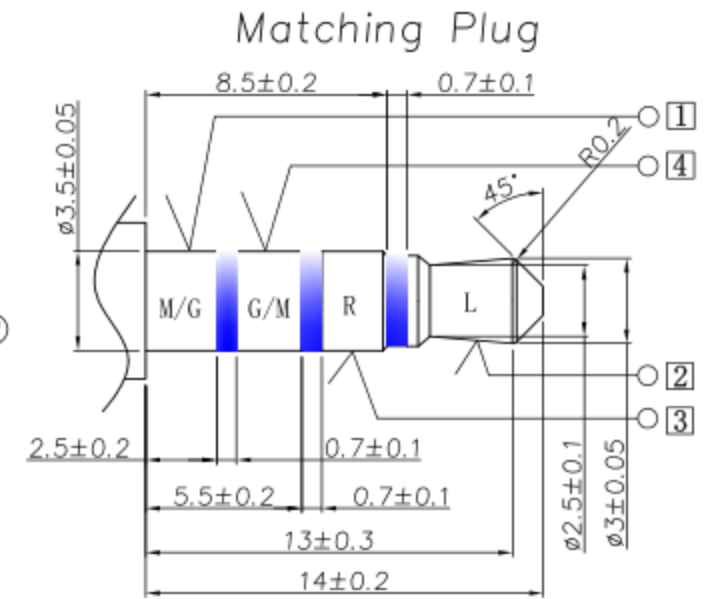
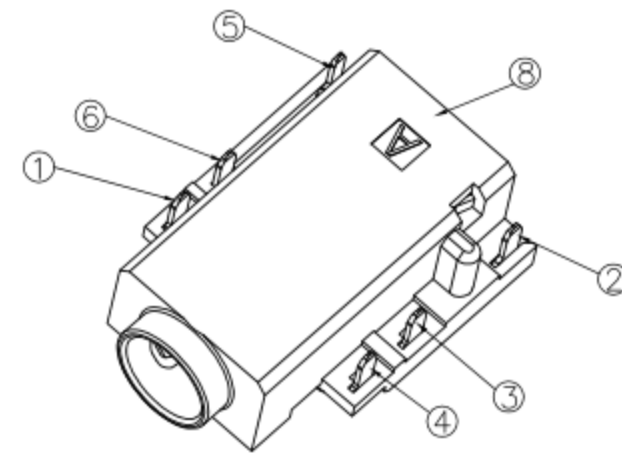
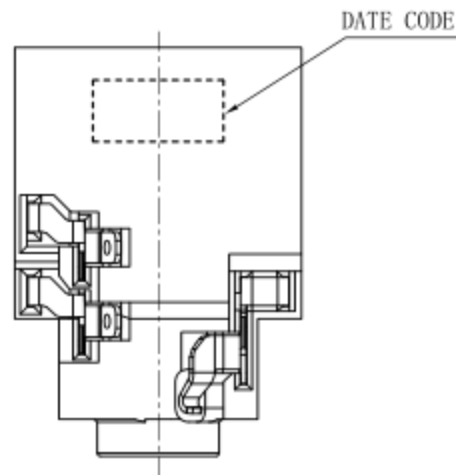


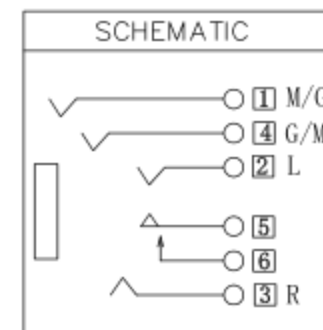
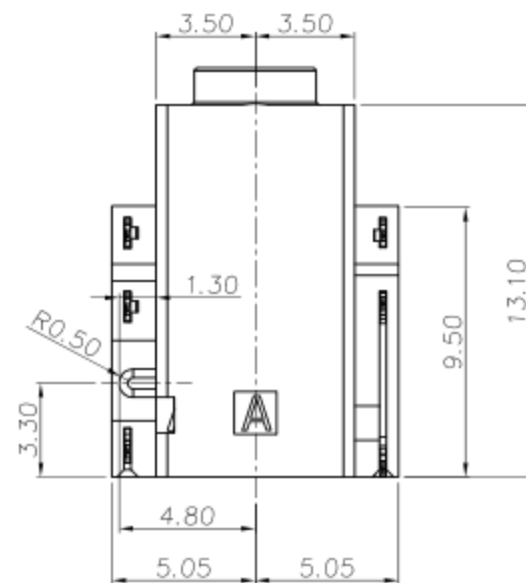
MODEL NO. :
PJR-D3261P-ABK7AS02L-RH
 (1) (2)(3) (4)(5)(6)

- (1) Series no.
- (2) Schematic type: A
- (3) Housing color:
BK7=Black
- (4) Terminal plating:
AS02=Plating Tin/Gold flash.
- (5) Packing mode:L=Reel packing
- (6) Environmental requirements:
RH=RoHS 2.0 + Halogen Free



SPECIFICATION:

- 1. Electrical characteristics
 - 1-1. Current rating:DC 1.0A max.
 - 1-2:Voltage rating:DC 12V.
 - 1-3:Contact resistance:50mΩ max.
 - 1-4. Insulation resistance:100MΩ min. at 500V DC.
 - 1-5. Withstanding voltage:500V AC for 1 minute.
- 2. Mechanical characteristics
 - 2-1. Life test:5000 cycles min,
 - 2-2. Mating force:3~30N.
 - Unmating force:3~30N.



NO.	DESCRIPTION	QTY	MATERIAL	REMARK
8	Housing	1	PA10T	Black
7	Insulator	1	PA10T	Black
5	Transfer Spring [5]	1	C5210R, 0.20t	Gold Flash On Contact Area And Solder Tail Area, All over 50u" Nickel Plated
6	Shunt terminal [6]	1	C5210R, 0.20t	Gold Flash On Contact Area 80u"matte tin
4	Ring spring [4]	1	C5191R, 0.20t	Plating on Solder Tail Area, All over 50u"Nickel Plated
3	Ring spring [3]	1	C5191R, 0.20t	
2	Tip spring [2]	1	C5210R, 0.20t	
1	Earth spring [1]	1	C5210R, 0.20t	

ECN NO.	REV	DATE	DESCRIPTION	CHANGE	APPRO.	GENERAL TOLERANCE UNLESS OTHERWISE NOTED	SCALE: 1:1	UNIT:mm	A4	SHEET: 1 of 1
	A-0	2021.05.28	NEW	罗振强	余军	Angle ±2° .x ±0.35 .xx ±0.25 .xxx ±0.15	DESIGN 罗振强 2021.05.28			
							CHECK			
							APPROVAL			

东莞市高迪电子有限公司	
CUSTOMER DRAWING	TITLE: φ3.5mm PHONE JACK
	MODEL NO. PJR-D3261P-ABK7AS02L-RH
	FILE NO. Q/DY. QW-001A-0747