

MODEL NO.:

PJR-D3161B-ABK7AS02L-RH

(1) (2) (3) (4) (5) (6)

(1) Series no.

(2) Schematic type: A

(3) Housing color:

BK7=Black

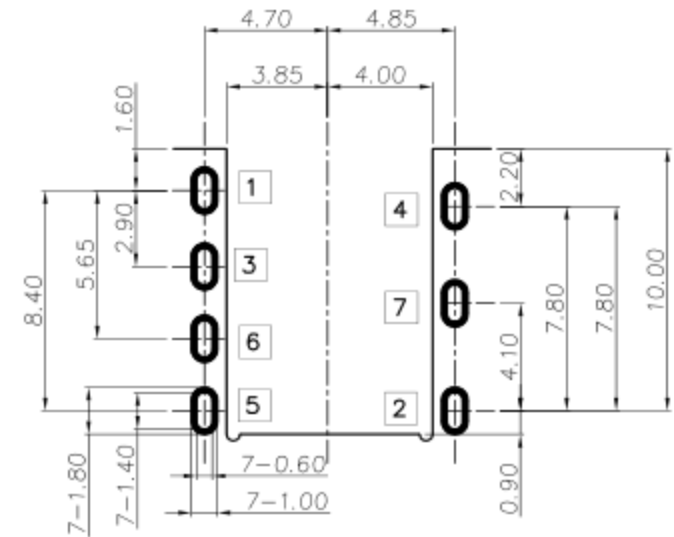
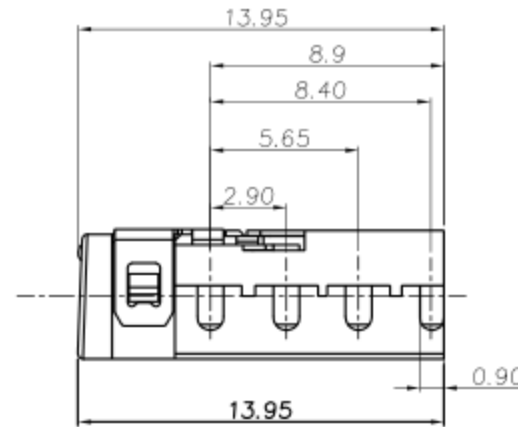
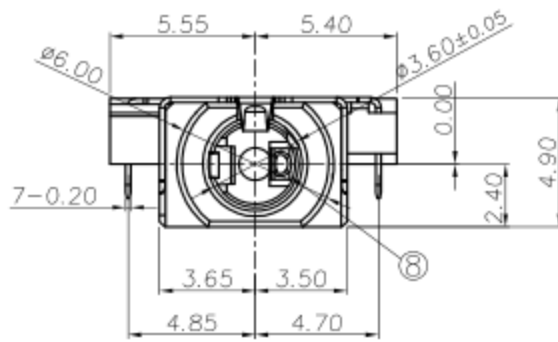
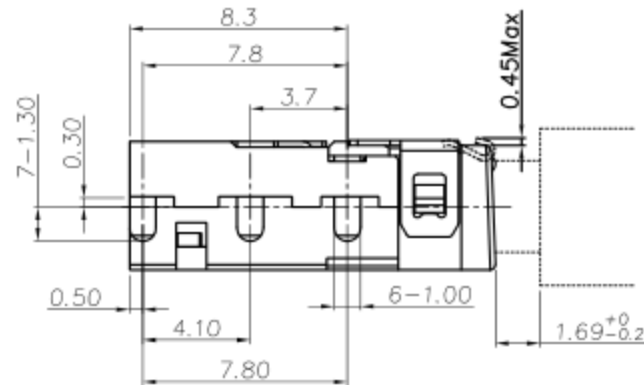
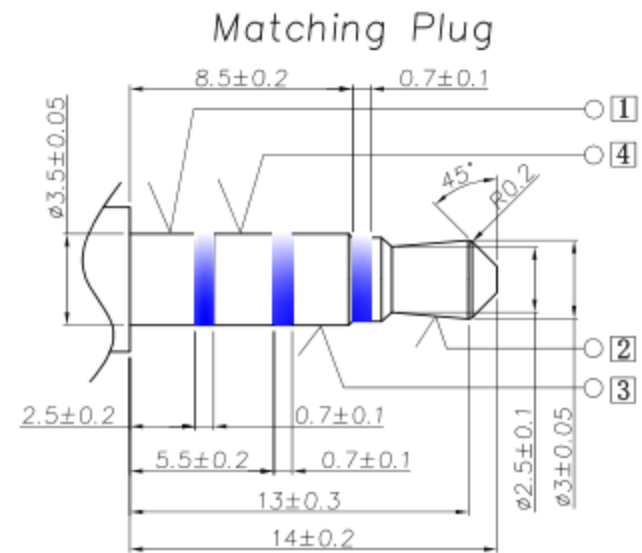
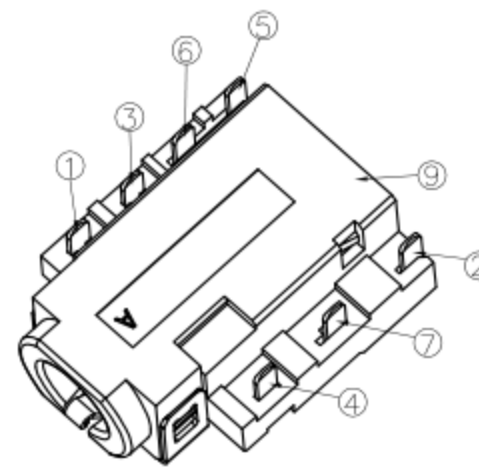
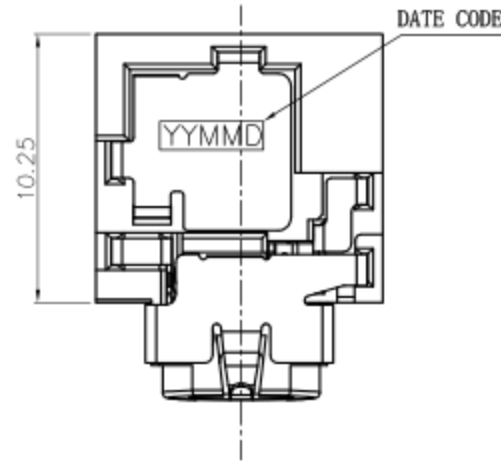
(4) Terminal plating:

AS02=Plating Gold Flash.

(5) Packing mode:L=Reel packing

(6) Environmental requirements:

Rh=RoHS 2.0 + Halogen Free



RECOMMENDED P. C. B LAYOUT (t=1.0mm)  
TOP VIEW (TOLRANCE: ±0.05)

SPECIFICATION:

1. Electrical characteristics

1-1. Current rating: DC 0.5A max.

1-2. Voltage rating: DC 30V.

1-3. Contact resistance: 50mΩ max.

1-4. Insulation resistance: 100MΩ min. at 500V DC.

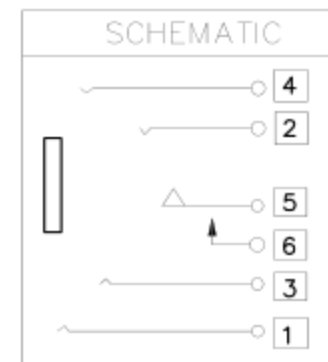
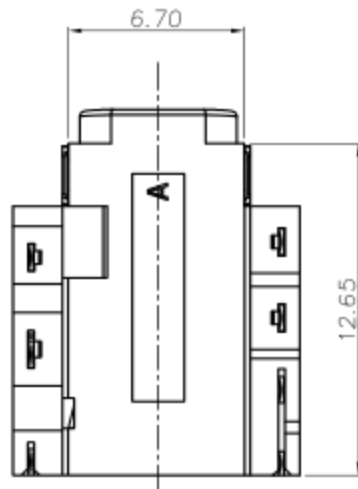
1-5. Withstanding voltage: 500V AC for 1 minute.

2. Mechanical characteristics

2-1. Life test: 5000 cycles min,

2-2. Mating force: 3~30N,

Unmating force: 3~30N.



| NO. | DESCRIPTION     | QTY | MATERIAL                 | REMARK  |
|-----|-----------------|-----|--------------------------|---|
| 9   | Housing         | 1   | HIGH TEMPERATURE PLASTIC | Black   |
| 8   | Insulator       | 1   | HIGH TEMPERATURE PLASTIC | Black   |
| 6   | Shunt terminal  | 1   | Phosphor bronze, 0.20t   | Gold Flash On Contact And Solder Tail Area, All over 50u" Min Nickel Plated |
| 5   | Transfer Spring | 1   | Phosphor bronze, 0.20t   |   |
| 7   | Shell           | 1   | Phosphor bronze, 0.20t   | 60u" Min Nickel Plated  |
| 4   | Ring spring     | 1   | Phosphor bronze, 0.20t   | Gold Flash On Contact Area, 80u" Min matte tin Plating on Solder Tail Area. |
| 3   | Ring spring     | 1   | Phosphor bronze, 0.20t   |   |
| 2   | Tip spring      | 1   | Phosphor bronze, 0.20t   | All over 50u" Min Nickel Plated   |
| 1   | Earth spring    | 1   | Phosphor bronze, 0.20t   |   |

| ECN NO. | REV | DATE       | DESCRIPTION | CHANGE | APPRO. | GENERAL TOLERANCE UNLESS OTHERWISE NOTED         | SCALE: 1:1            | UNIT:mm | A4       |
|---------|-----|------------|-------------|--------|--------|--|-----------------------|---------|----------|
|         | A-0 | 2019.01.22 | NEW         | 罗振强    | 李海鸥    | Angle ±2°<br>.x ±0.35<br>.xx ±0.25<br>.xxx ±0.10 | DESIGN 罗振强 2019.01.22 | CHECK   | APPROVAL |

|                    |           |                         |
|--------------------|-----------|-------------------------|
| <b>东莞市高迪电子有限公司</b> |           |                         |
| CUSTOMER DRAWING   | TITLE:    | φ3.5mm PHONE JACK       |
|                    | MODEL NO. | PJR-D3161B-ABK7AS02L-RH |
|                    | FILE NO.  | Q/DY. QW-001A-0xxx      |
| SHEET: 1 of 2      |           |                         |